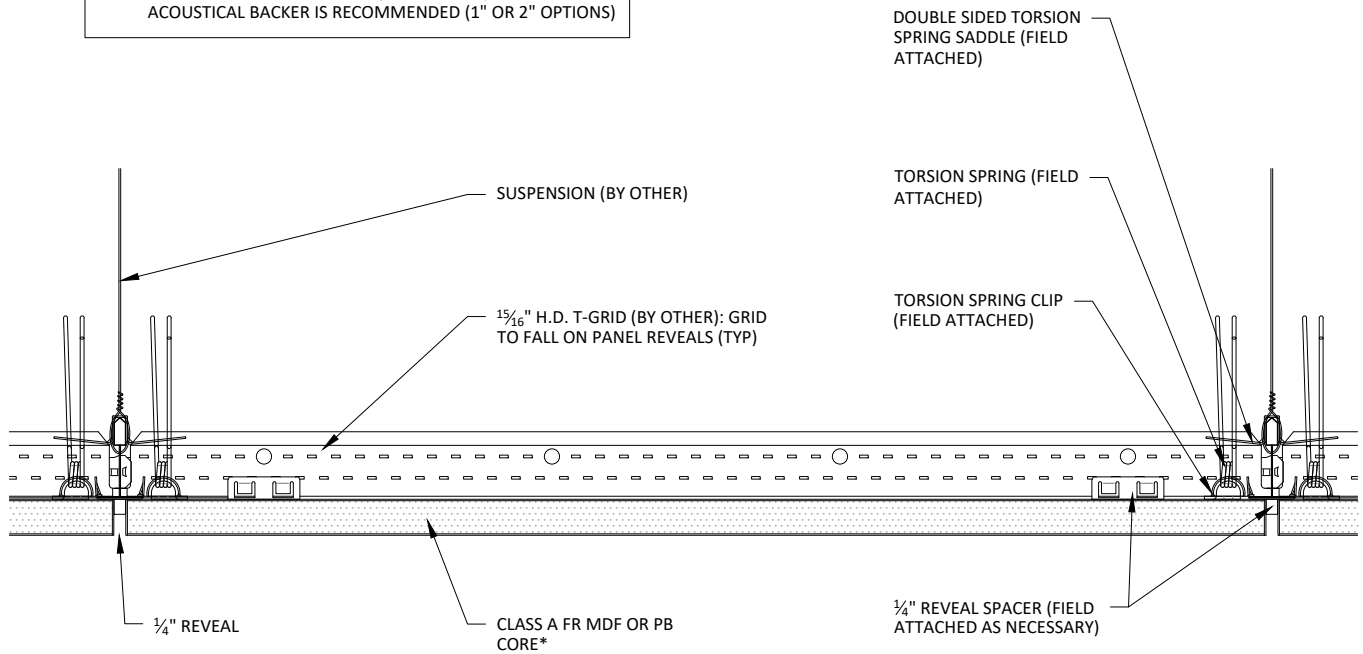
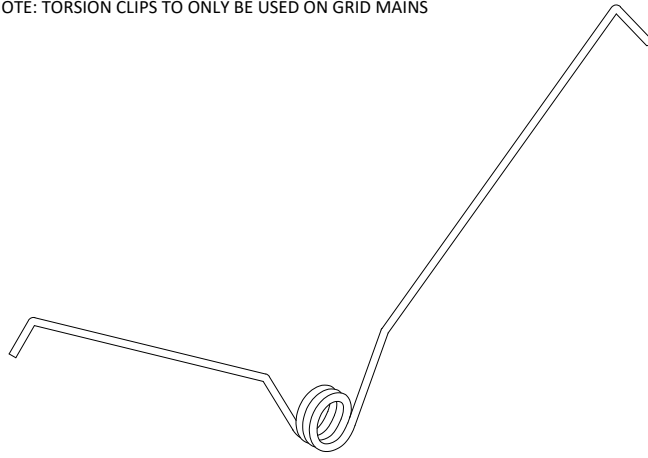
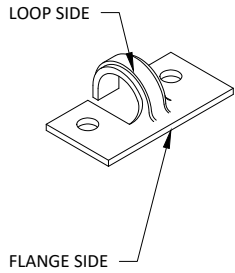


* PANELS MAY BE PERFORATED (AS SPECIFIED) IN WHICH CASE, ACOUSTICAL BACKER IS RECOMMENDED (1" OR 2" OPTIONS)

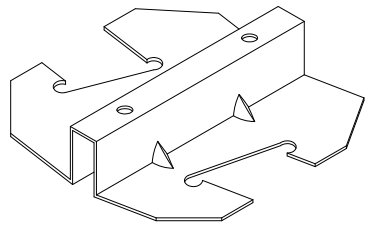


1 TYPICAL SECTION
3" = 1'-0"

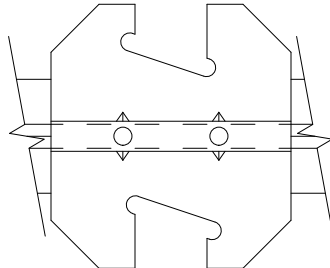
NOTE: TORSION CLIPS TO ONLY BE USED ON GRID MAINS



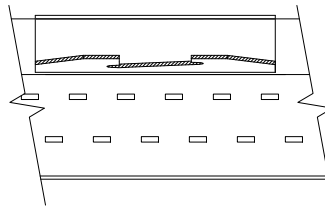
1 TORSION SPRING CLIP
6" = 1'-0"



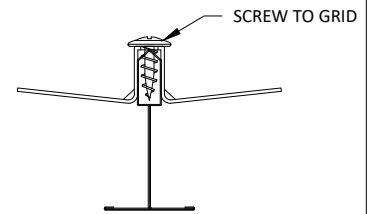
ISOMETRIC



TOP VIEW ON GRID



SIDE VIEW ON GRID

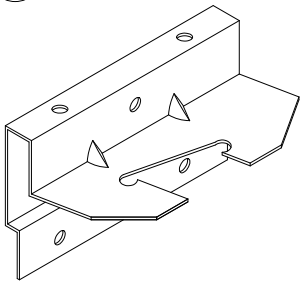


PROFILE VIEW ON GRID

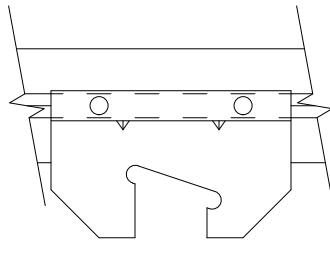
SCREW TO GRID

2 TORSION SPRING
6" = 1'-0"

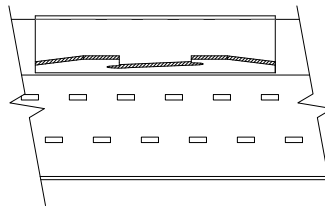
3 DOUBLE-SIDED SADDLE
6" = 1'-0"



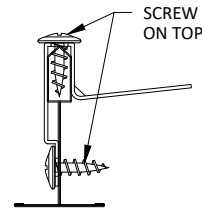
ISOMETRIC



TOP VIEW ON GRID



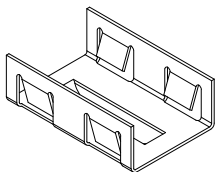
SIDE VIEW ON GRID



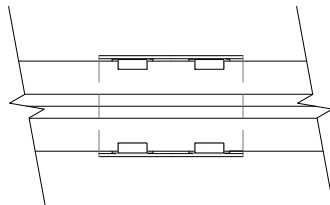
PROFILE VIEW ON GRID

SCREW TO GRID
ON TOP OR SIDE

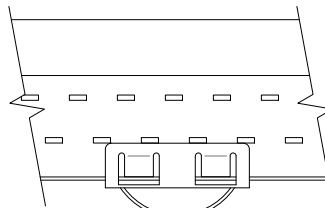
4 SINGLE-SIDED SADDLE
6" = 1'-0"



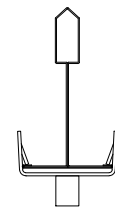
ISOMETRIC



TOP VIEW ON GRID



SIDE VIEW ON GRID



PROFILE VIEW ON GRID

5 SPACER CLIP
6" = 1'-0"



FUSION (TORSION SPRING SYSTEM) - CLIP DETAILS

SCALE: AS NOTED

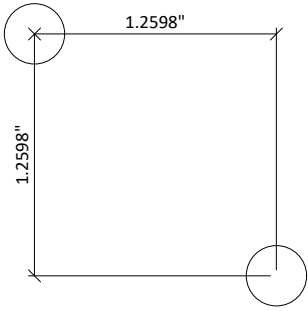
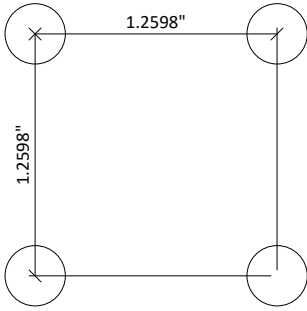
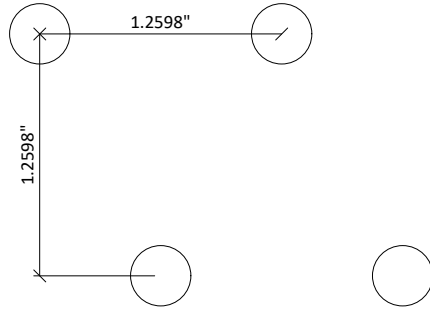
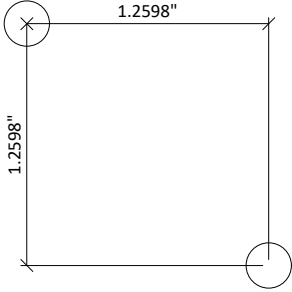
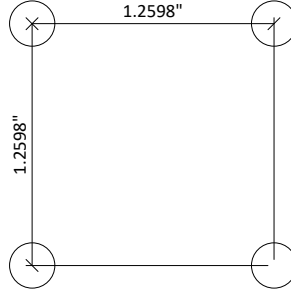
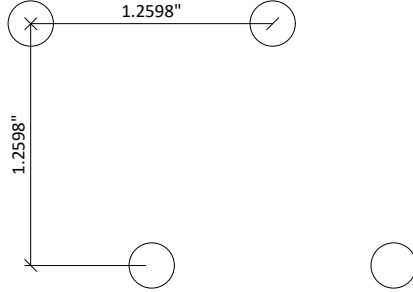
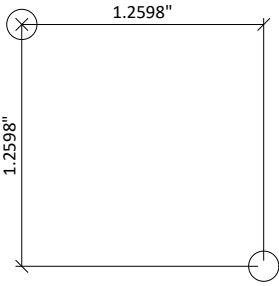
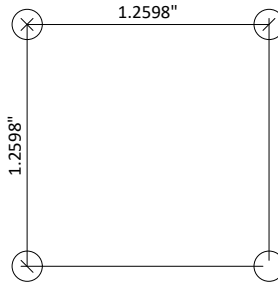
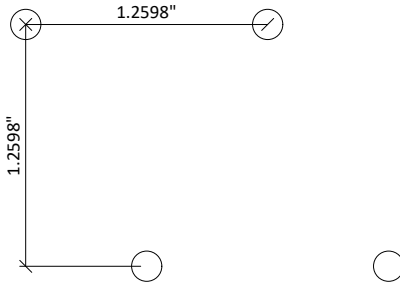
LAST REVISED: 1/21/2025

DO NOT SCALE DRAWING. FIGURED DIMENSIONS ARE TO BE FOLLOWED. READ THIS DRAWING IN CONNECTION WITH GENERAL ARCHITECTURAL PLANS, STRUCTURAL PLANS, AND OTHER RELATED DRAWINGS. THESE DRAWINGS REPRESENT ASI'S UNDERSTANDING AND INTERPRETATION OF THE ARCHITECTURAL DRAWINGS AND HOW ASI PRODUCTS RELATE TO THE PROJECT. COPYRIGHT ASI © 2025

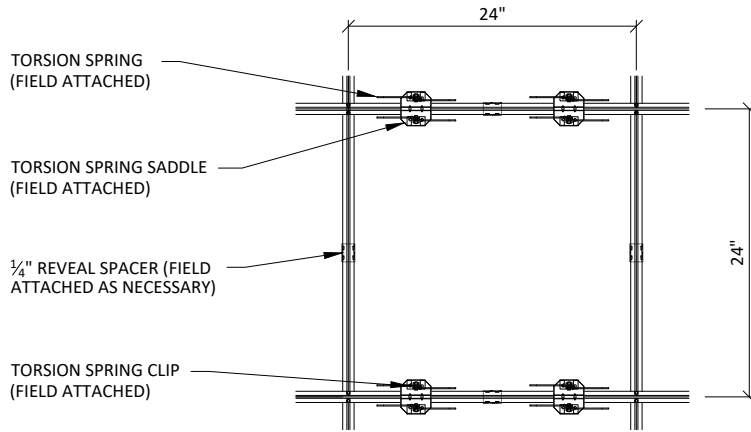
SHEET NUMBER
2

DRAWN BY: BMH

<p>7.7% OPEN AREA</p>	<p>13.8% OPEN AREA</p>	<p>13.8% OPEN AREA</p>
<p>DIAMOND: 8MM DIA./16MM SPACING</p>	<p>SQUARE: 8MM DIA./16MM SPACING</p>	<p>STAGGERED: 8MM DIA./16MM SPACING</p>
<p>4.4% OPEN AREA</p>	<p>7.9% OPEN AREA</p>	<p>7.9% OPEN AREA</p>
<p>DIAMOND: 6MM DIA./16MM SPACING</p>	<p>SQUARE: 6MM DIA./16MM SPACING</p>	<p>STAGGERED: 6MM DIA./16MM SPACING</p>
<p>2.0% OPEN AREA</p>	<p>3.6% OPEN AREA</p>	<p>3.6% OPEN AREA</p>
<p>DIAMOND: 4MM DIA./16MM SPACING</p>	<p>SQUARE: 4MM DIA./16MM SPACING</p>	<p>STAGGERED: 4MM DIA./16MM SPACING</p>

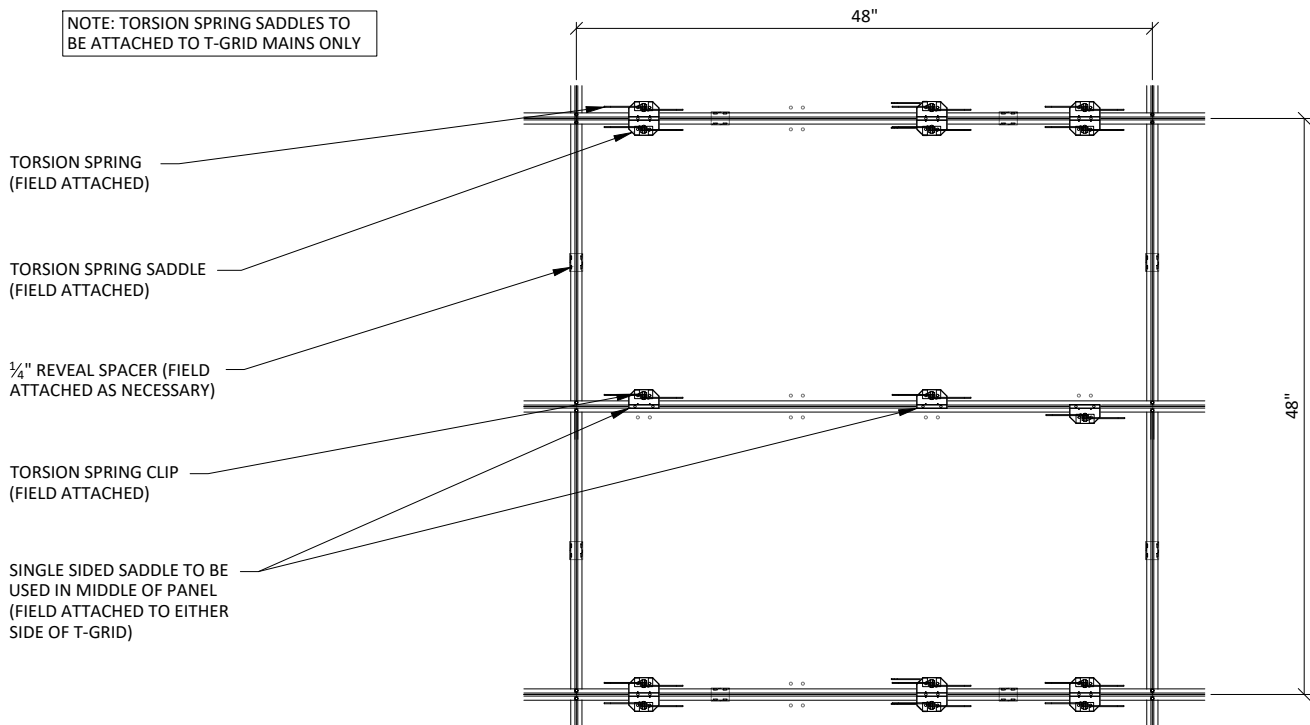
 <p>3.1% OPEN AREA</p>	 <p>6.2% OPEN AREA</p>	 <p>4.6% OPEN AREA</p>
<p>DIAMOND: 8MM DIA./32MM SPACING</p>	<p>SQUARE: 8MM DIA./32MM SPACING</p>	<p>STAGGERED: 8MM DIA./32MM SPACING</p>
 <p>1.8% OPEN AREA</p>	 <p>3.5% OPEN AREA</p>	 <p>2.6% OPEN AREA</p>
<p>DIAMOND: 6MM DIA./32MM SPACING</p>	<p>SQUARE: 6MM DIA./32MM SPACING</p>	<p>STAGGERED: 6MM DIA./32MM SPACING</p>
 <p>0.8% OPEN AREA</p>	 <p>1.6% OPEN AREA</p>	 <p>1.2% OPEN AREA</p>
<p>DIAMOND: 4MM DIA./32MM SPACING</p>	<p>SQUARE: 4MM DIA./32MM SPACING</p>	<p>STAGGERED: 4MM DIA./32MM SPACING</p>

NOTE: TORSION SPRING SADDLES TO BE ATTACHED TO T-GRID MAINS ONLY



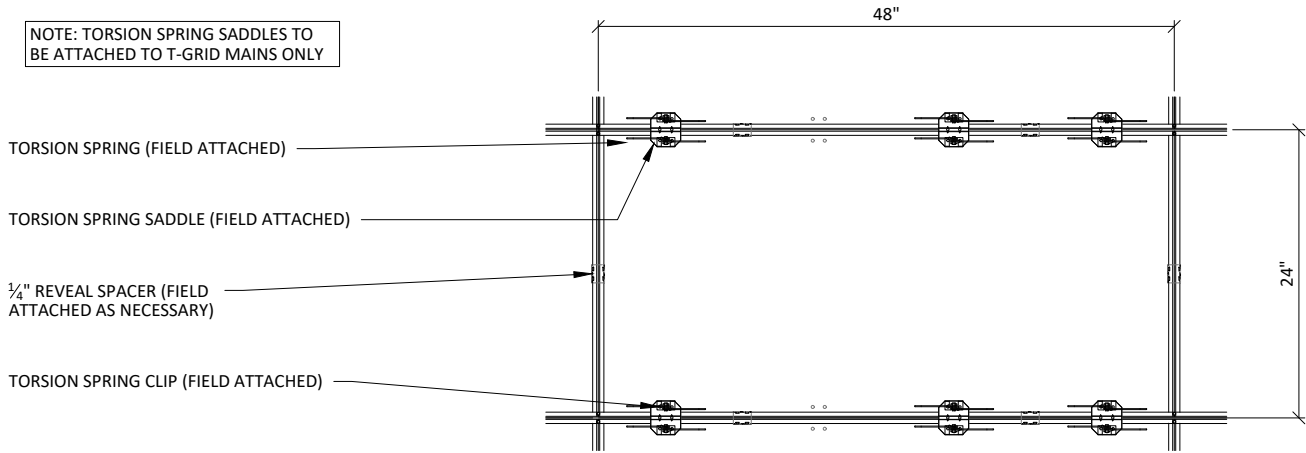
1 TYPICAL 2X2 PANEL PLAN
3/4" = 1'-0"

NOTE: TORSION SPRING SADDLES TO BE ATTACHED TO T-GRID MAINS ONLY

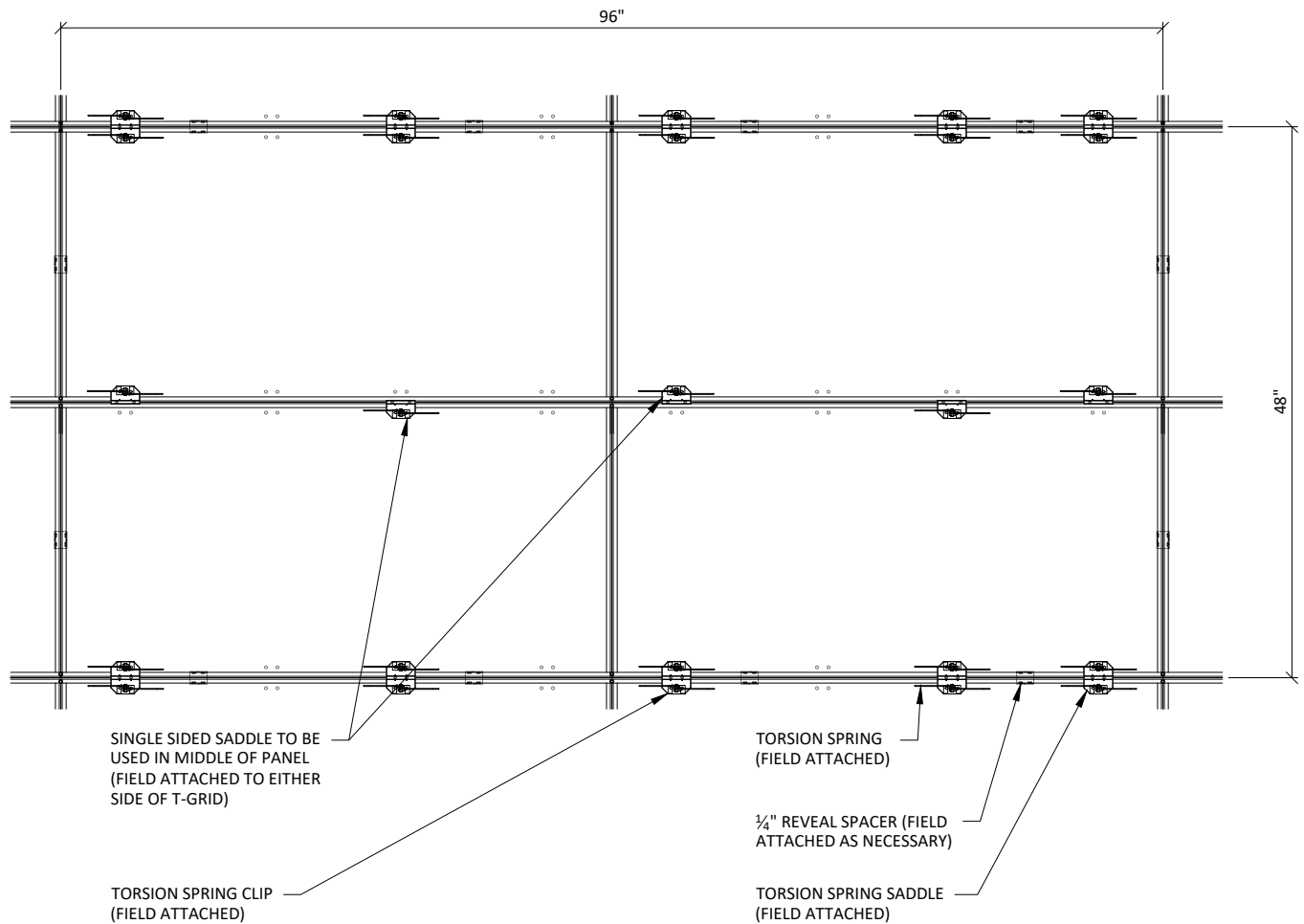


2 TYPICAL 4X4 PANEL PLAN
3/4" = 1'-0"

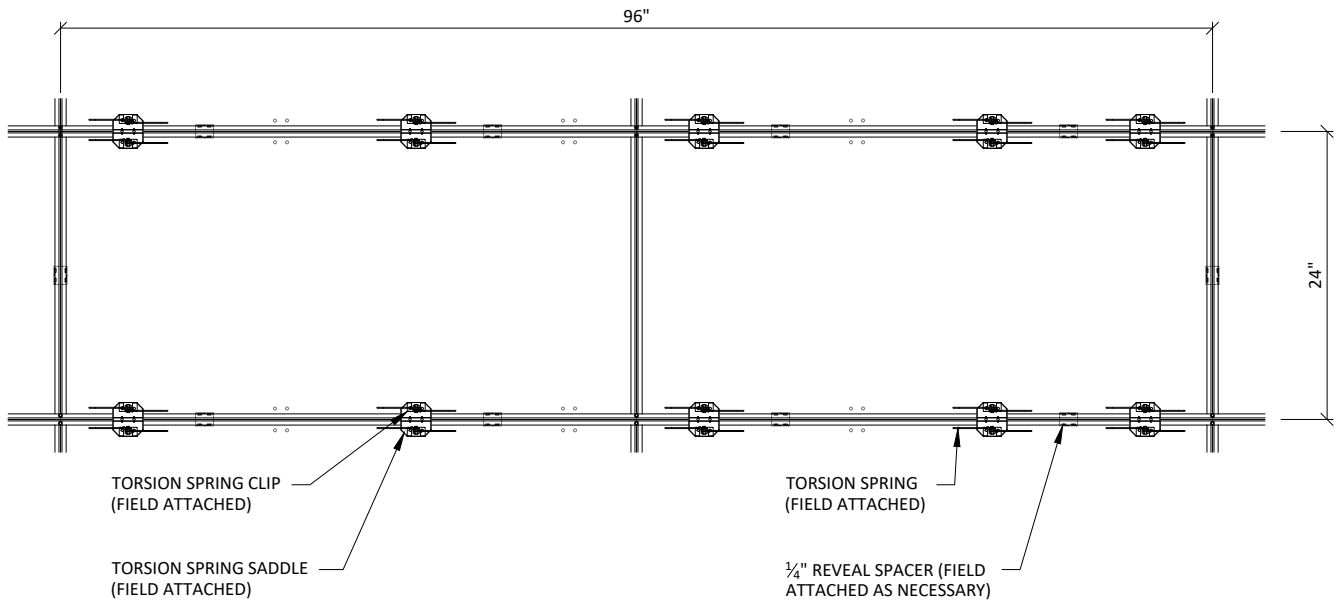
NOTE: TORSION SPRING SADDLES TO BE ATTACHED TO T-GRID MAINS ONLY



NOTE: TORSION SPRING SADDLES TO BE ATTACHED TO T-GRID MAINS ONLY

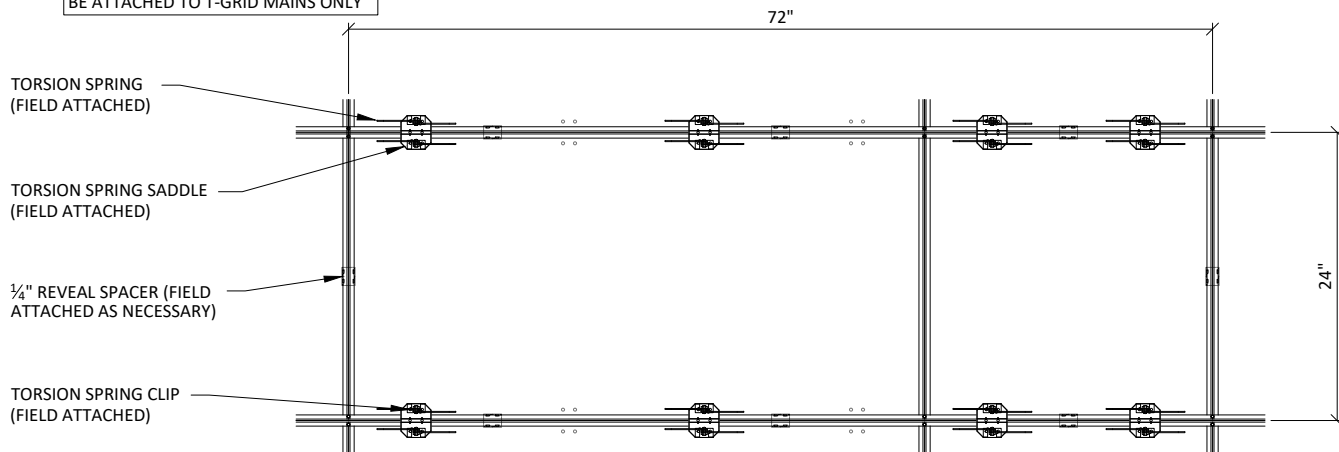


NOTE: TORSION SPRING SADDLES TO BE ATTACHED TO T-GRID MAINS ONLY

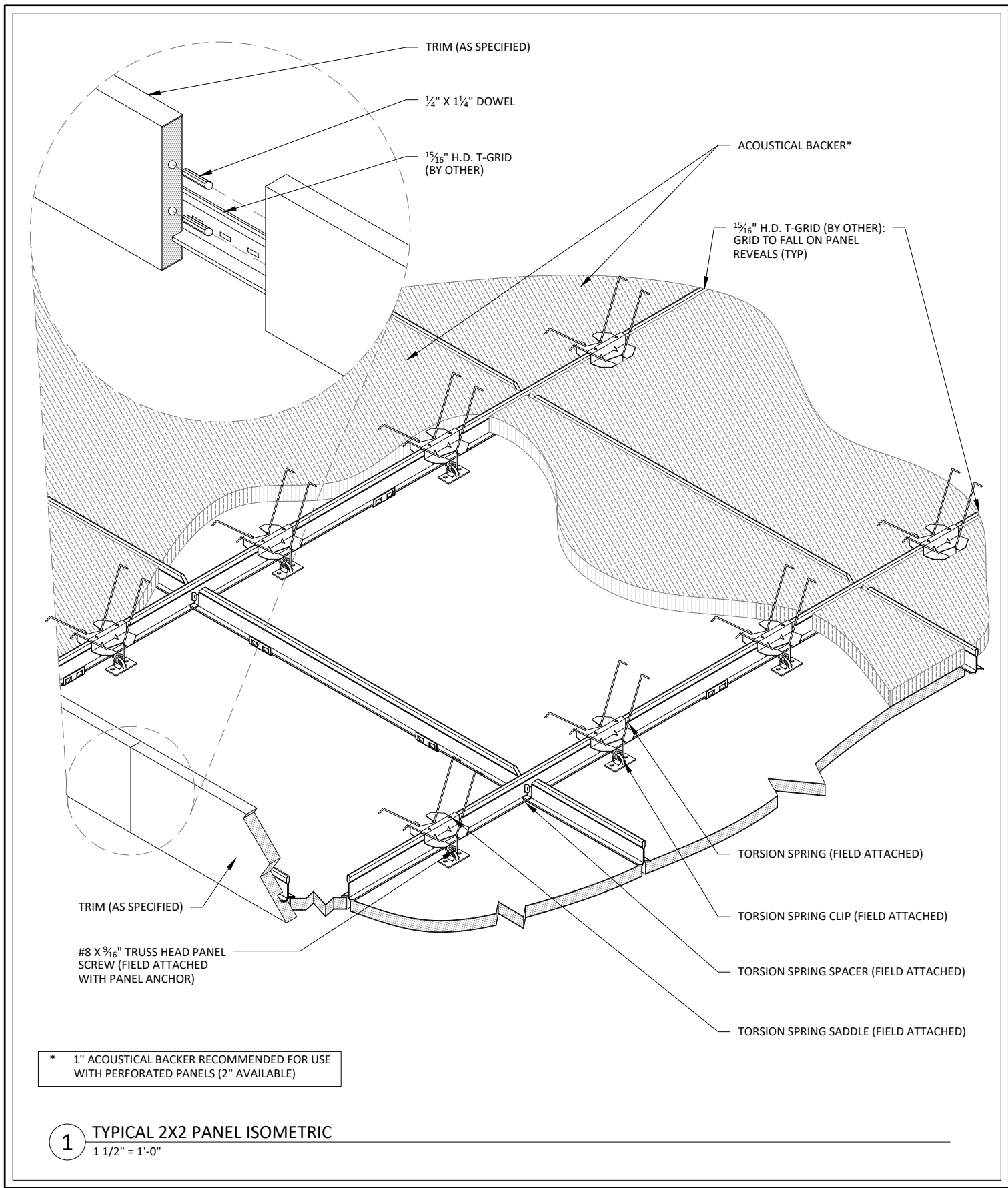


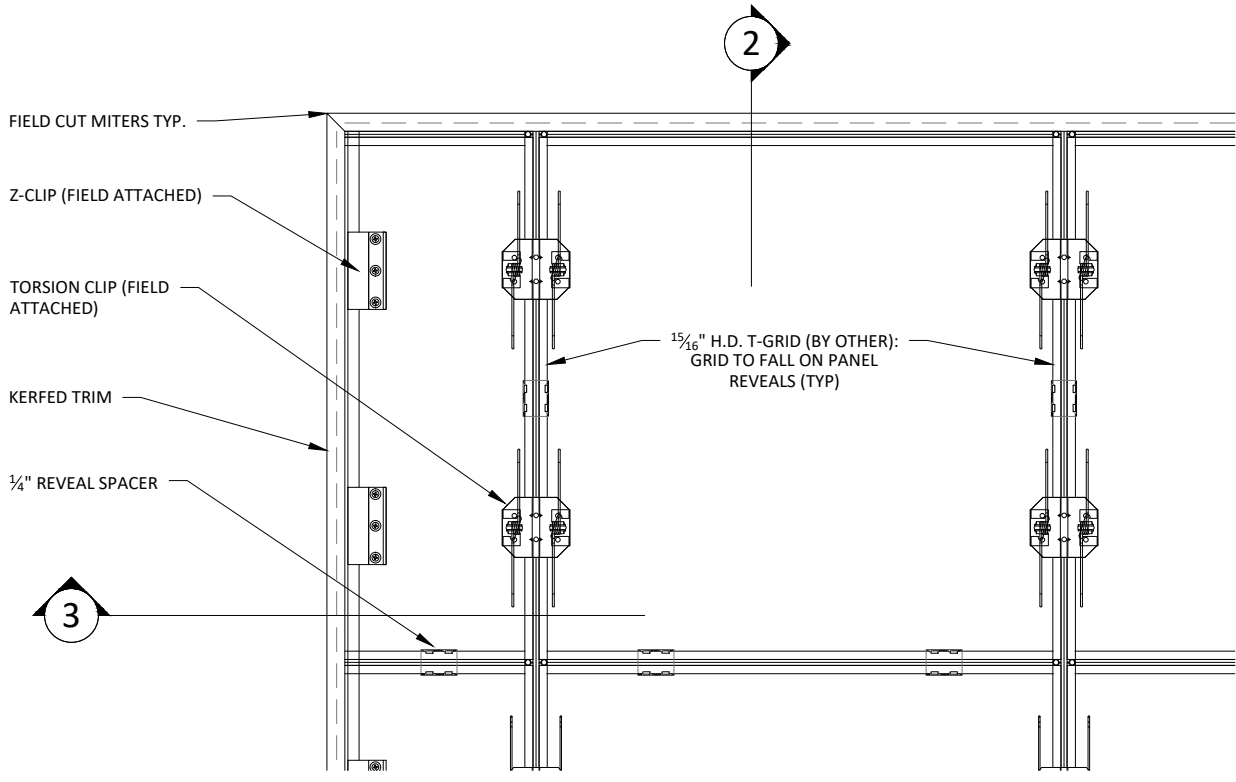
1 TYPICAL 2X8 PANEL PLAN
3/4" = 1'-0"

NOTE: TORSION SPRING SADDLES TO BE ATTACHED TO T-GRID MAINS ONLY



2 TYPICAL 2X6 PANEL PLAN
3/4" = 1'-0"

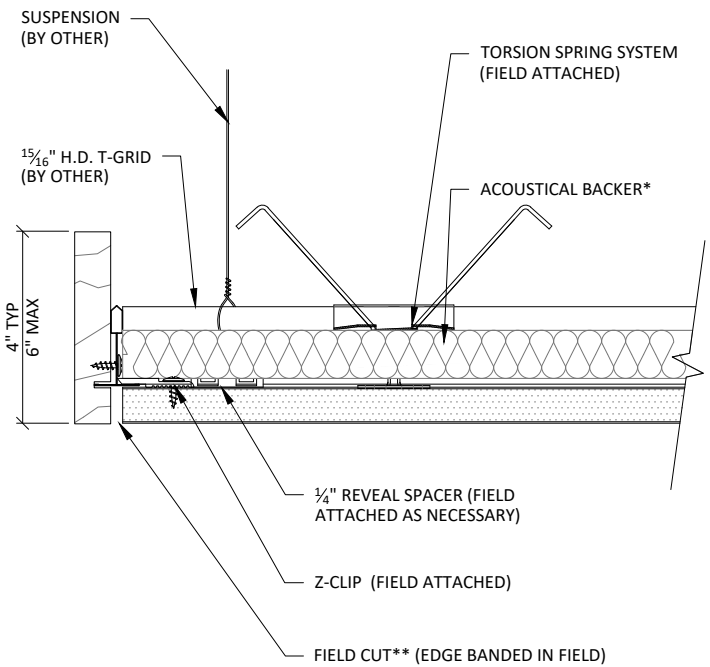




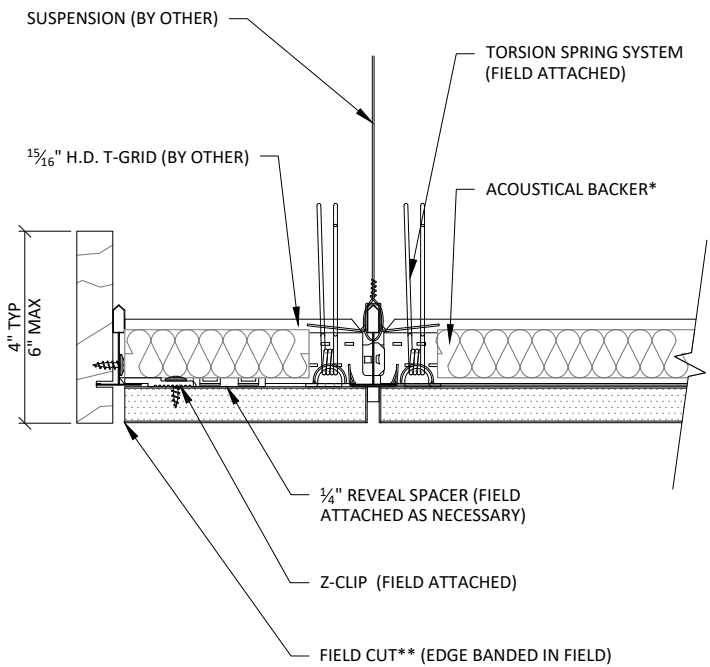
1 TRIM @ MITERED CORNER - PLAN
 1 1/2" = 1'-0"

** ALL FIELD CUTS TO ALLOW FOR 1/4" MIN REVEAL FOR EXPANSION & CONTRACTION

* 1" ACOUSTICAL BACKER RECOMMENDED FOR USE WITH PERFORATED PANELS (2" AVAILABLE)

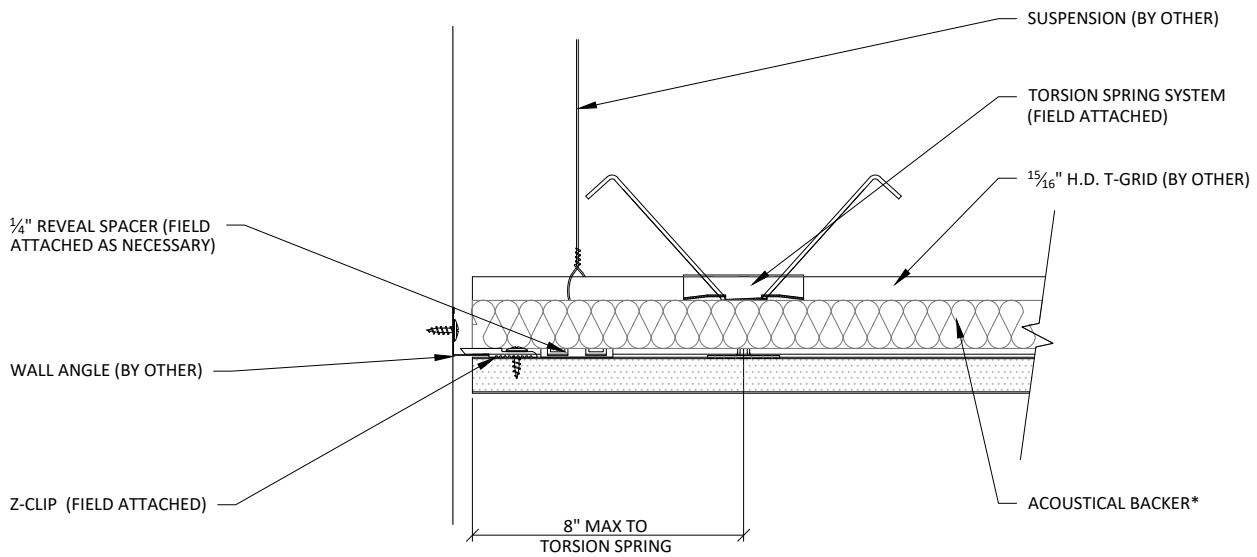


2 TRIM DETAIL 1
 3" = 1'-0"



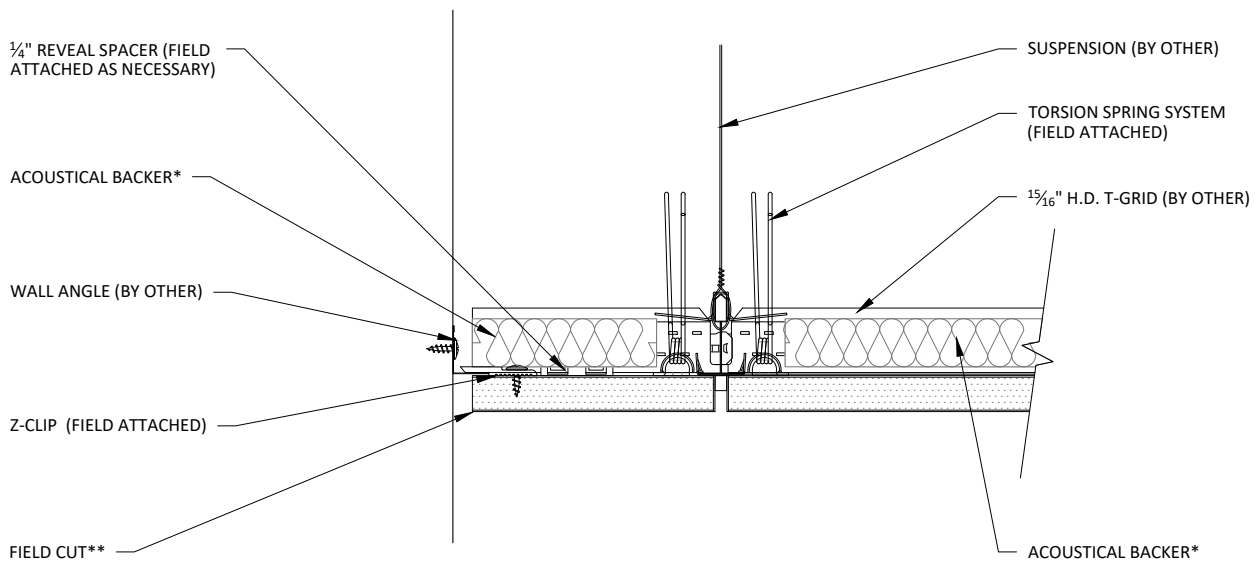
3 TRIM DETAIL 2
 3" = 1'-0"

** ALL FIELD CUTS TO ALLOW FOR 1/4" MIN REVEAL FOR EXPANSION & CONTRACTION



1 EDGE DETAIL 1
3" = 1'-0"

* 1" ACOUSTICAL BACKER RECOMMENDED FOR USE WITH PERFORATED PANELS (2" AVAILABLE)



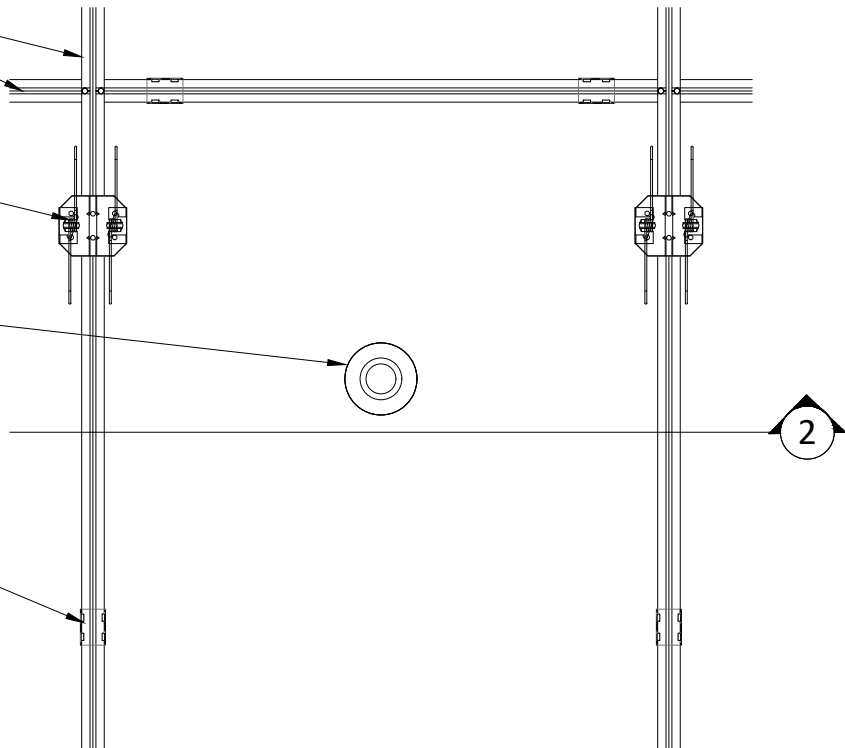
2 EDGE DETAIL 2
3" = 1'-0"

1 5/16" H.D. T-GRID (BY OTHER): GRID TO FALL ON PANEL REVEALS (TYP)

TORSION SPRING SYSTEM (FIELD ATTACHED TO T-GRID MAINS ONLY: 24" OC MAX)

INDEPENDENTLY SUPPORTED CUSTOMER FIXTURE (BY OTHER): FIELD CUT PENETRATION

1/4" REVEAL SPACER (FIELD ATTACHED AS NECESSARY)



1 SPRINKLER PLAN

1 1/2" = 1'-0"

1 5/16" H.D. T-GRID (BY OTHER): GRID TO FALL ON PANEL REVEALS (TYP)

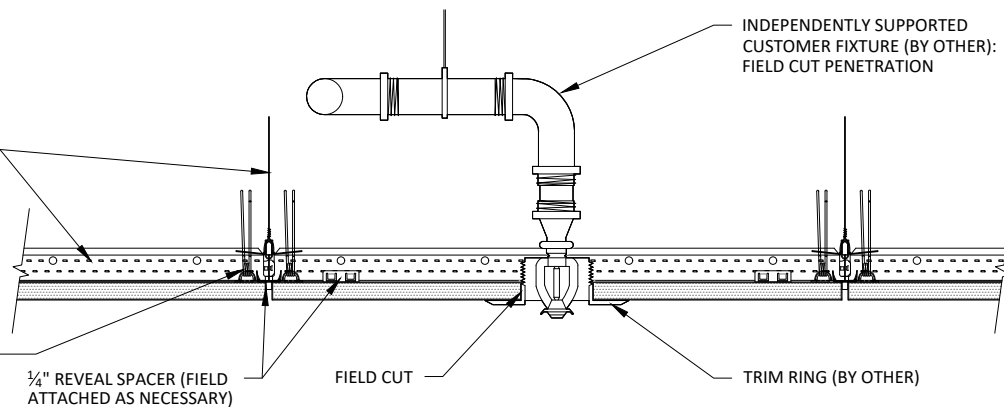
TORSION SPRING SYSTEM (FIELD ATTACHED TO T-GRID MAINS ONLY: 24" OC MAX)

1/4" REVEAL SPACER (FIELD ATTACHED AS NECESSARY)

FIELD CUT

INDEPENDENTLY SUPPORTED CUSTOMER FIXTURE (BY OTHER): FIELD CUT PENETRATION

TRIM RING (BY OTHER)



2 SPRINKLER SECTION

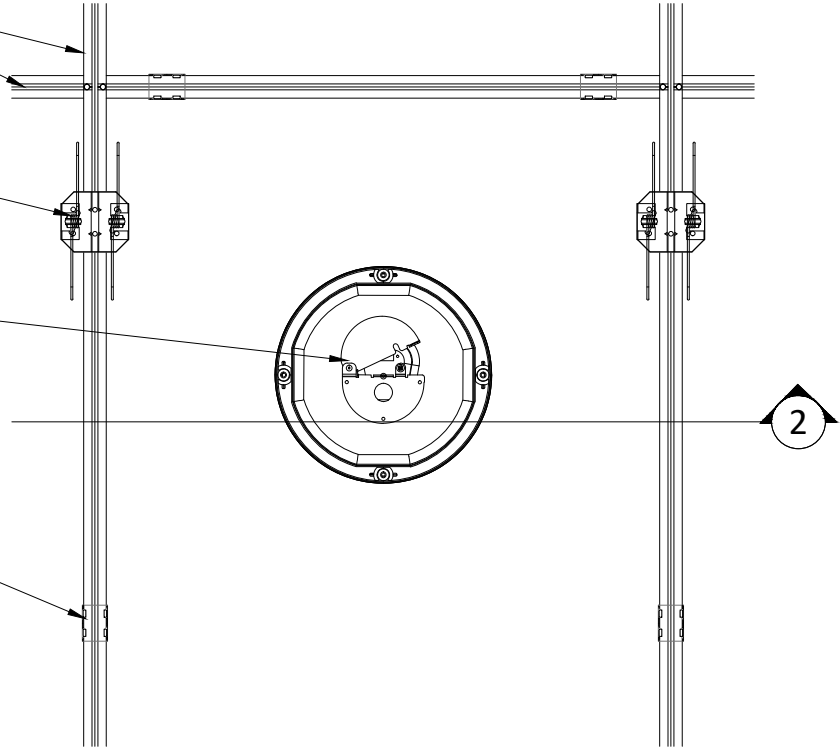
1 1/2" = 1'-0"

$\frac{15}{16}$ " H.D. T-GRID (BY OTHER): GRID TO FALL ON PANEL REVEALS (TYP)

TORSION SPRING SYSTEM (FIELD ATTACHED TO T-GRID MAINS ONLY: 24" OC MAX)

INDEPENDENTLY SUPPORTED CUSTOMER FIXTURE (BY OTHER): FIELD CUT PENETRATION

$\frac{1}{4}$ " REVEAL SPACER (FIELD ATTACHED AS NECESSARY)



1

CAN LIGHT PLAN

1 1/2" = 1'-0"

$\frac{15}{16}$ " H.D. T-GRID (BY OTHER): GRID TO FALL ON PANEL REVEALS (TYP)

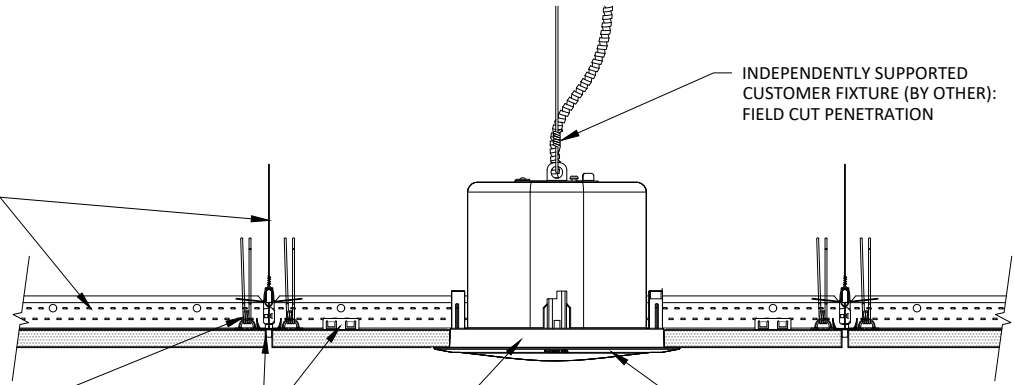
TORSION SPRING SYSTEM (FIELD ATTACHED TO T-GRID MAINS ONLY: 24" OC MAX)

$\frac{1}{4}$ " REVEAL SPACER (FIELD ATTACHED AS NECESSARY)

FIELD CUT

INDEPENDENTLY SUPPORTED CUSTOMER FIXTURE (BY OTHER): FIELD CUT PENETRATION

TRIM RING (BY OTHER)



2

CAN LIGHT SECTION

1 1/2" = 1'-0"



123 Columbia Court North, Chaska, Minnesota 55318 P. 800.527.6253

FUSION (TORSION SPRING SYSTEM) - CAN LIGHT DETAIL

SCALE: AS NOTED

LAST REVISED: 1/21/2025

DO NOT SCALE DRAWING. FIGURED DIMENSIONS ARE TO BE FOLLOWED. READ THIS DRAWING IN CONNECTION WITH GENERAL ARCHITECTURAL PLANS, STRUCTURAL PLANS, AND OTHER RELATED DRAWINGS. THESE DRAWINGS REPRESENT ASI'S UNDERSTANDING AND INTERPRETATION OF THE ARCHITECTURAL DRAWINGS AND HOW ASI PRODUCTS RELATE TO THE PROJECT. COPYRIGHT ASI © 2025

SHEET NUMBER

12

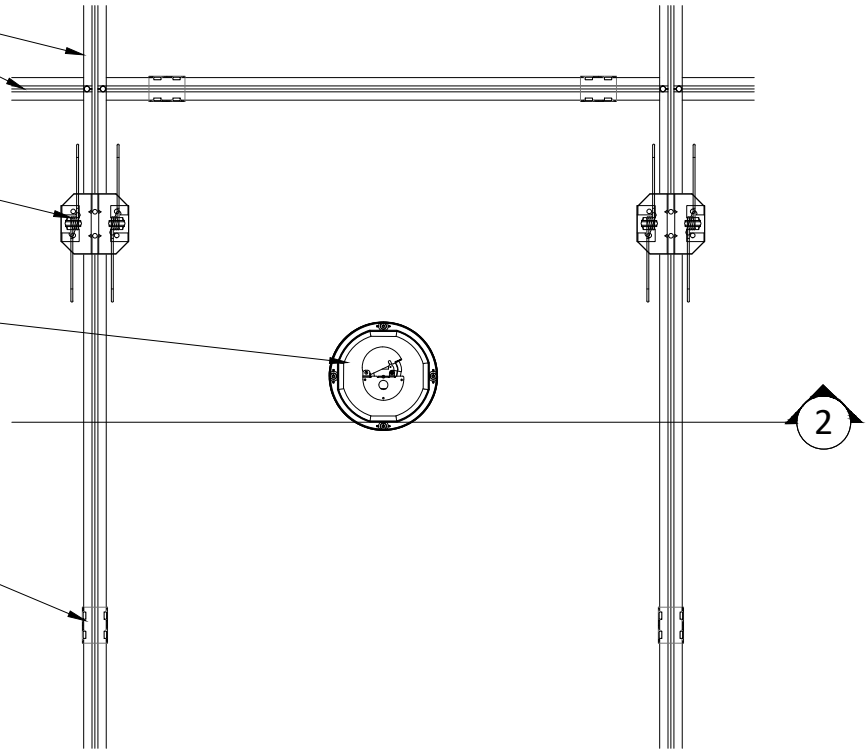
DRAWN BY: BMH

1 5/16" H.D. T-GRID (BY OTHER): GRID TO FALL ON PANEL REVEALS (TYP)

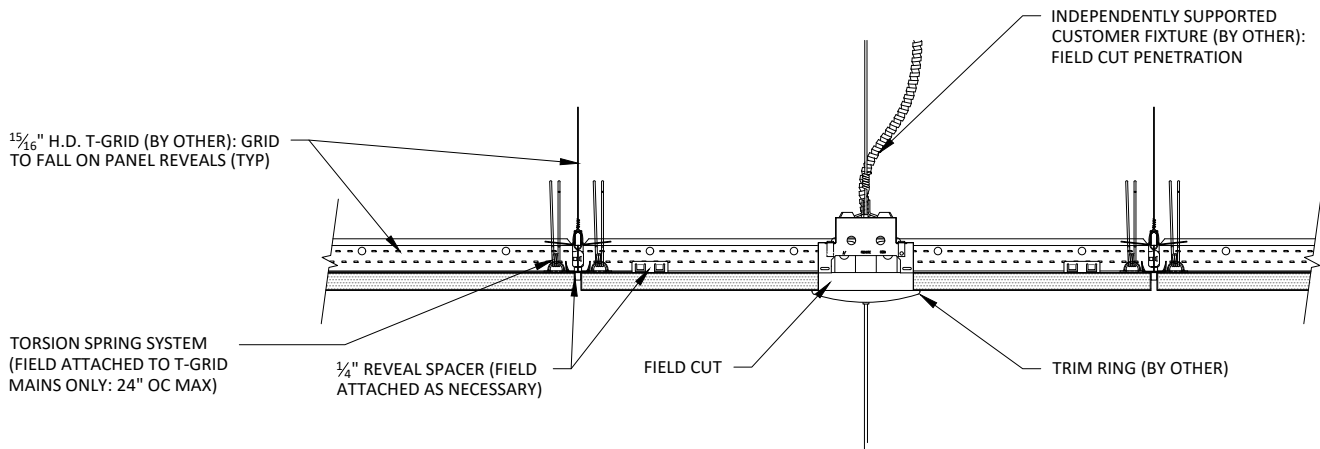
TORSION SPRING SYSTEM (FIELD ATTACHED TO T-GRID MAINS ONLY: 24" OC MAX)

INDEPENDENTLY SUPPORTED CUSTOMER FIXTURE (BY OTHER): FIELD CUT PENETRATION

1/4" REVEAL SPACER (FIELD ATTACHED AS NECESSARY)



1 PENDANT LIGHT PLAN
1 1/2" = 1'-0"



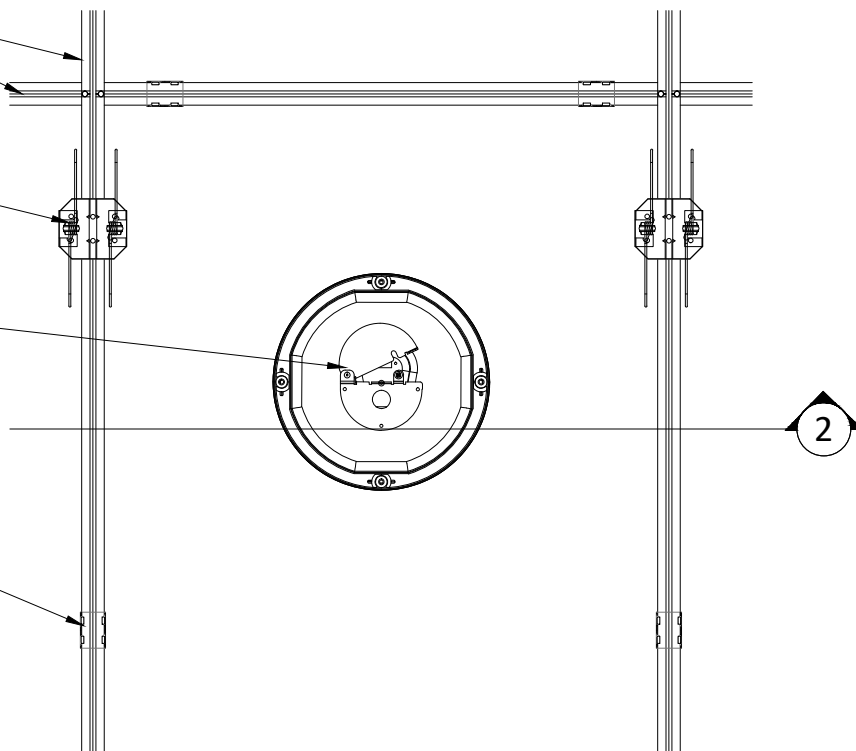
2 PENDANT LIGHT SECTION
1 1/2" = 1'-0"

$\frac{15}{16}$ " H.D. T-GRID (BY OTHER): GRID TO FALL ON PANEL REVEALS (TYP)

TORSION SPRING SYSTEM (FIELD ATTACHED TO T-GRID MAINS ONLY: 24" OC MAX)

INDEPENDENTLY SUPPORTED CUSTOMER FIXTURE (BY OTHER): FIELD CUT PENETRATION

$\frac{1}{4}$ " REVEAL SPACER (FIELD ATTACHED AS NECESSARY)



1

RECESSED SPEAKER PLAN

1 1/2" = 1'-0"

$\frac{15}{16}$ " H.D. T-GRID (BY OTHER): GRID TO FALL ON PANEL REVEALS (TYP)

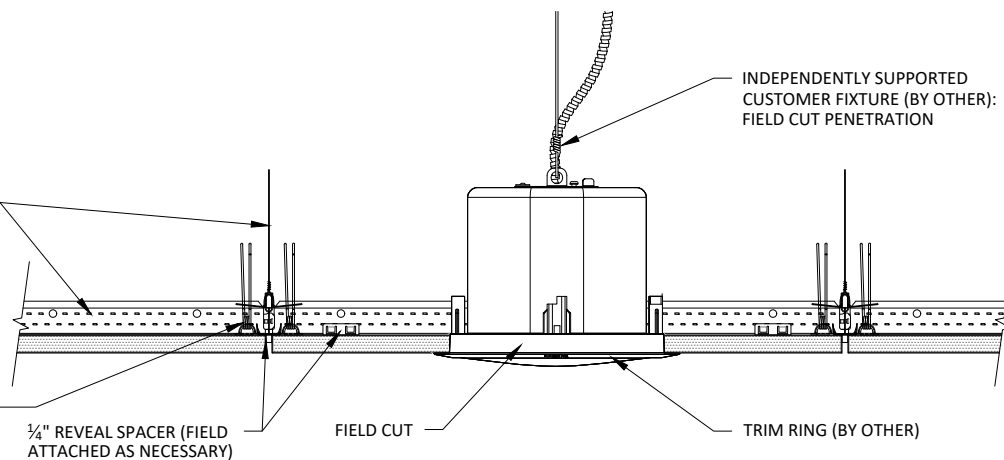
TORSION SPRING SYSTEM (FIELD ATTACHED TO T-GRID MAINS ONLY: 24" OC MAX)

$\frac{1}{4}$ " REVEAL SPACER (FIELD ATTACHED AS NECESSARY)

FIELD CUT

INDEPENDENTLY SUPPORTED CUSTOMER FIXTURE (BY OTHER): FIELD CUT PENETRATION

TRIM RING (BY OTHER)



2

RECESSED SPEAKER SECTION

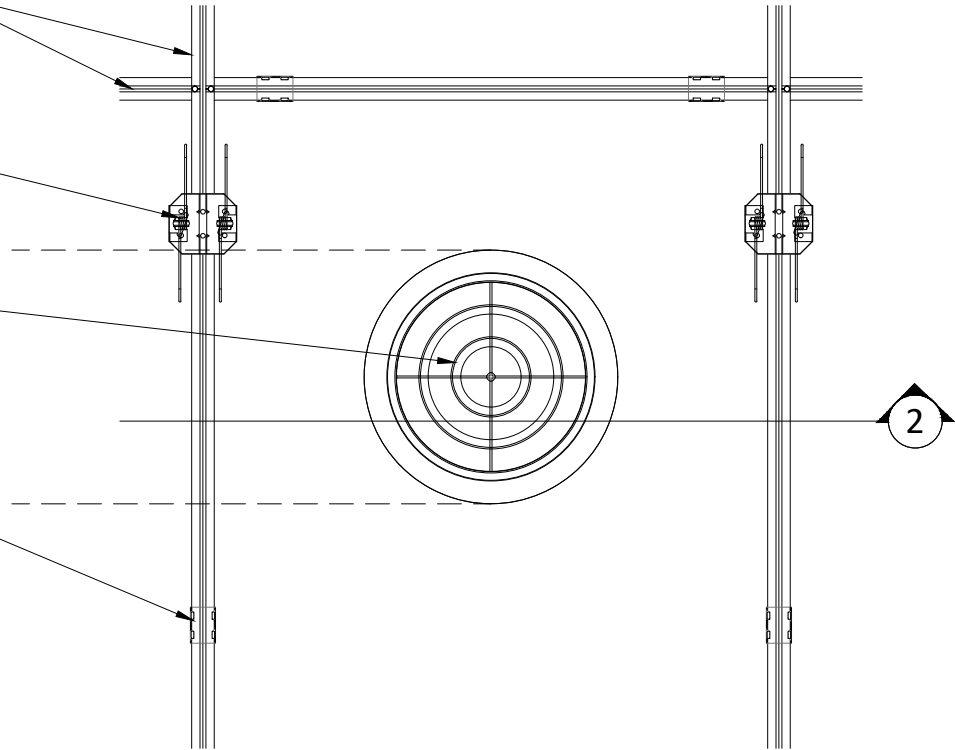
1 1/2" = 1'-0"

1 5/16" H.D. T-GRID (BY OTHER): GRID TO FALL ON PANEL REVEALS (TYP)

TORSION SPRING SYSTEM (FIELD ATTACHED TO T-GRID MAINS ONLY: 24" OC MAX)

INDEPENDENTLY SUPPORTED CUSTOMER FIXTURE (BY OTHER): FIELD CUT PENETRATION

1/4" REVEAL SPACER (FIELD ATTACHED AS NECESSARY)



1 DIFFUSER PLAN

1 1/2" = 1'-0"

1 5/16" H.D. T-GRID (BY OTHER): GRID TO FALL ON PANEL REVEALS (TYP)

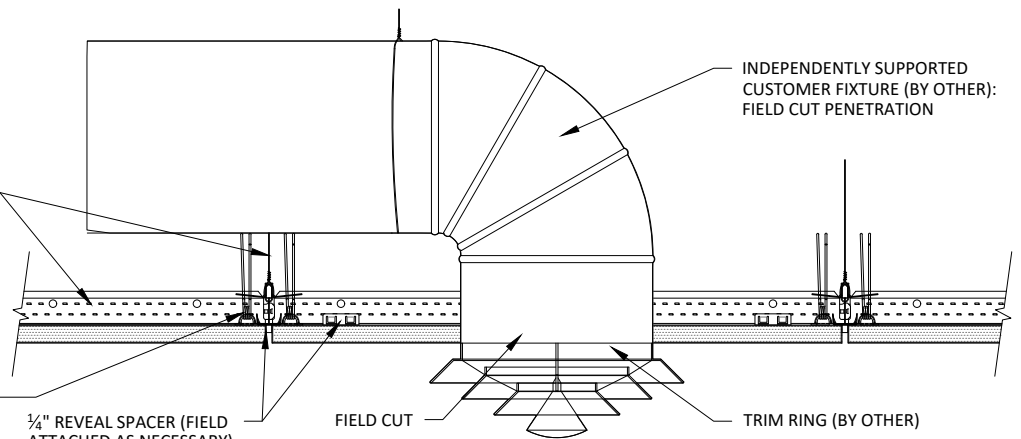
TORSION SPRING SYSTEM (FIELD ATTACHED TO T-GRID MAINS ONLY: 24" OC MAX)

1/4" REVEAL SPACER (FIELD ATTACHED AS NECESSARY)

FIELD CUT

INDEPENDENTLY SUPPORTED CUSTOMER FIXTURE (BY OTHER): FIELD CUT PENETRATION

TRIM RING (BY OTHER)



2 DIFFUSER SECTION

1 1/2" = 1'-0"



FUSION (TORSION SPRING SYSTEM) - DIFFUSER DETAIL

SCALE: AS NOTED

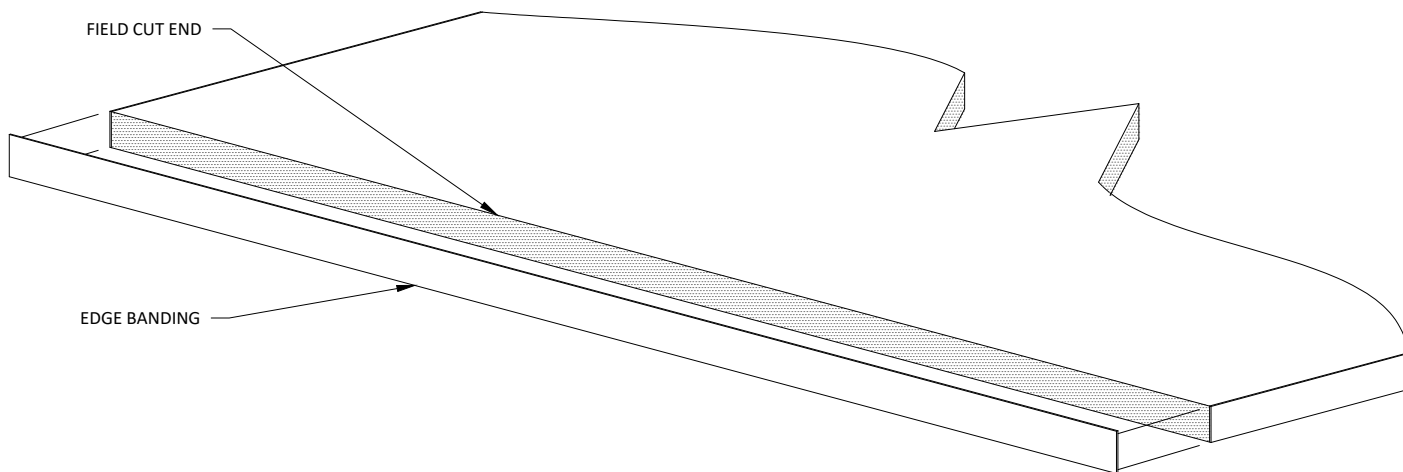
LAST REVISED: 1/21/2025

DO NOT SCALE DRAWING. FIGURED DIMENSIONS ARE TO BE FOLLOWED. READ THIS DRAWING IN CONNECTION WITH GENERAL ARCHITECTURAL PLANS, STRUCTURAL PLANS, AND OTHER RELATED DRAWINGS. THESE DRAWINGS REPRESENT ASI'S UNDERSTANDING AND INTERPRETATION OF THE ARCHITECTURAL DRAWINGS AND HOW ASI PRODUCTS RELATE TO THE PROJECT. COPYRIGHT ASI © 2025

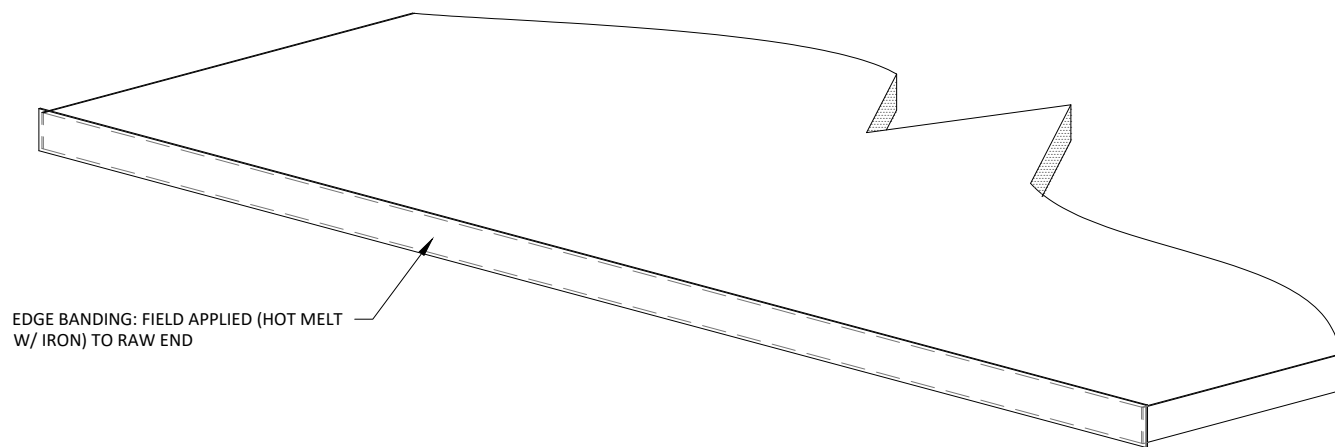
SHEET NUMBER

15

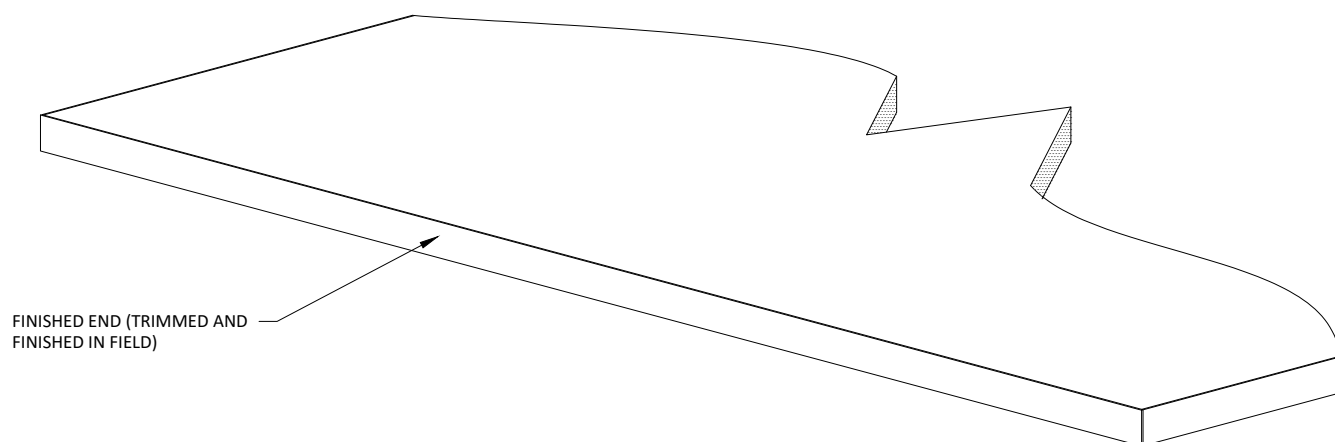
DRAWN BY: BMH



1 STEP 1
3" = 1'-0"



2 STEP 2
3" = 1'-0"



3 STEP 3
3" = 1'-0"