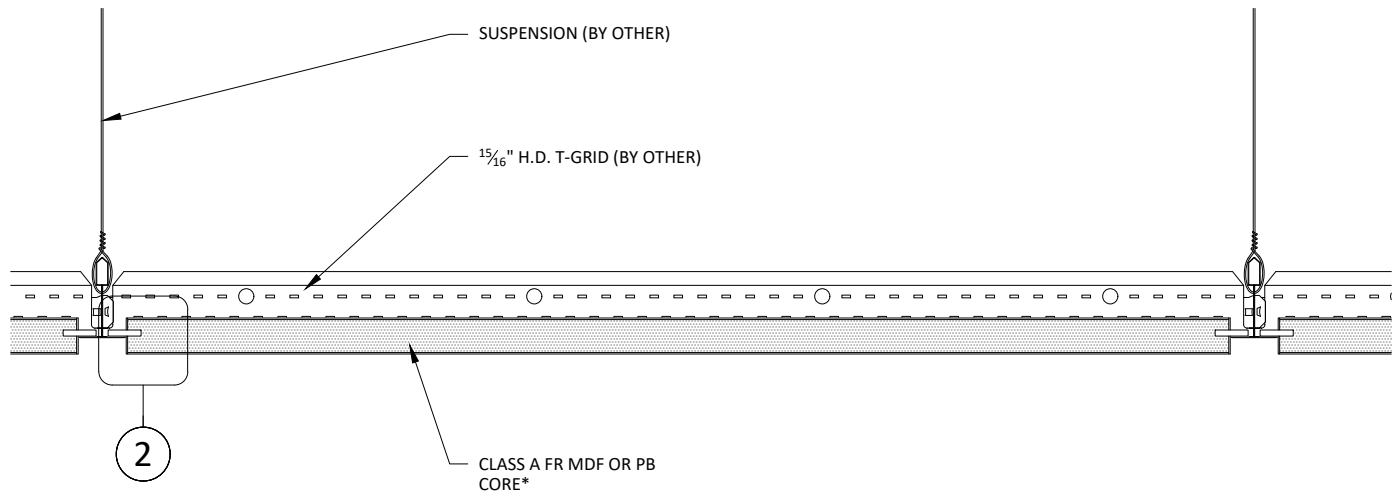
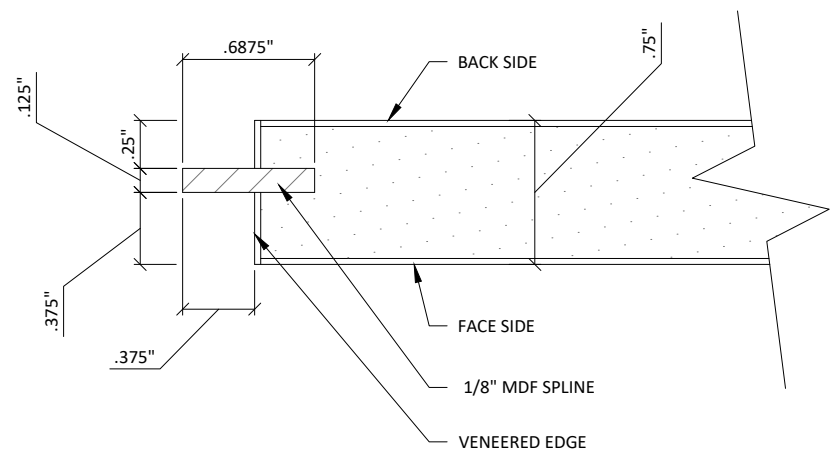


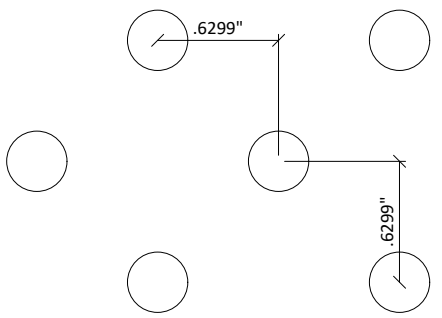
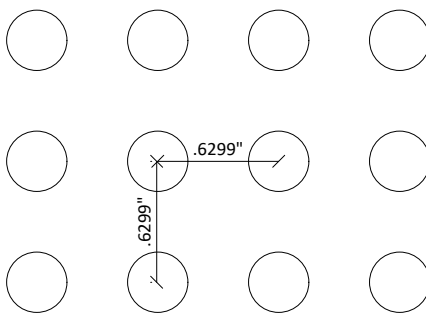
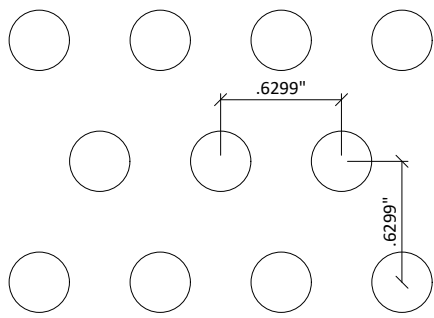
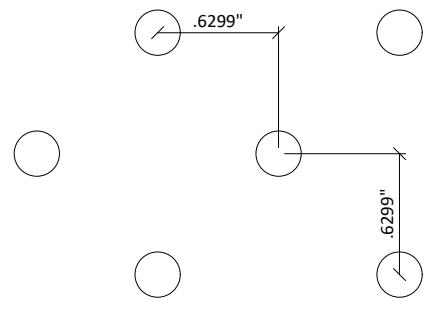
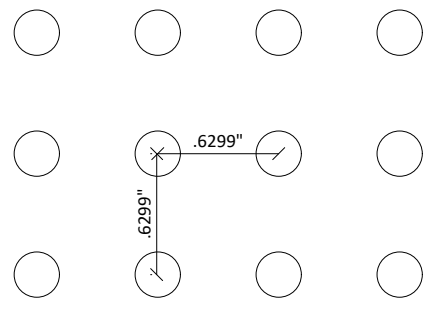
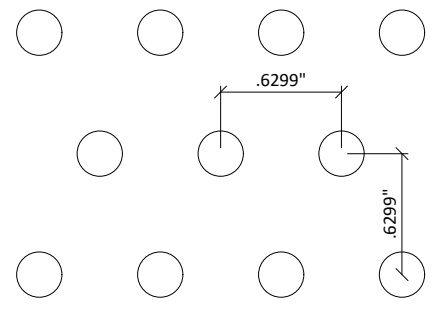
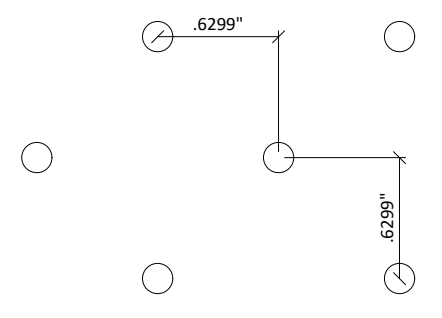
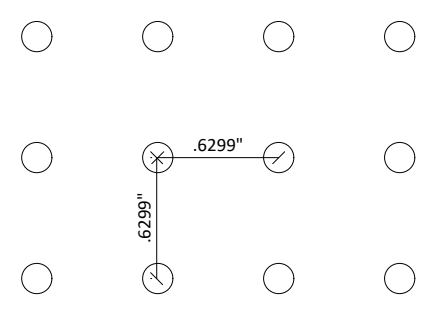
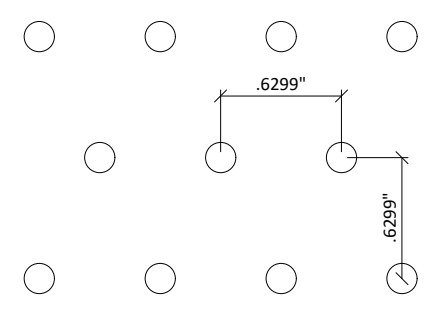
* PANELS MAY BE PERFORATED (AS SPECIFIED) IN WHICH CASE, ACOUSTICAL BACKER IS RECOMMENDED (1" OR 2" OPTIONS)



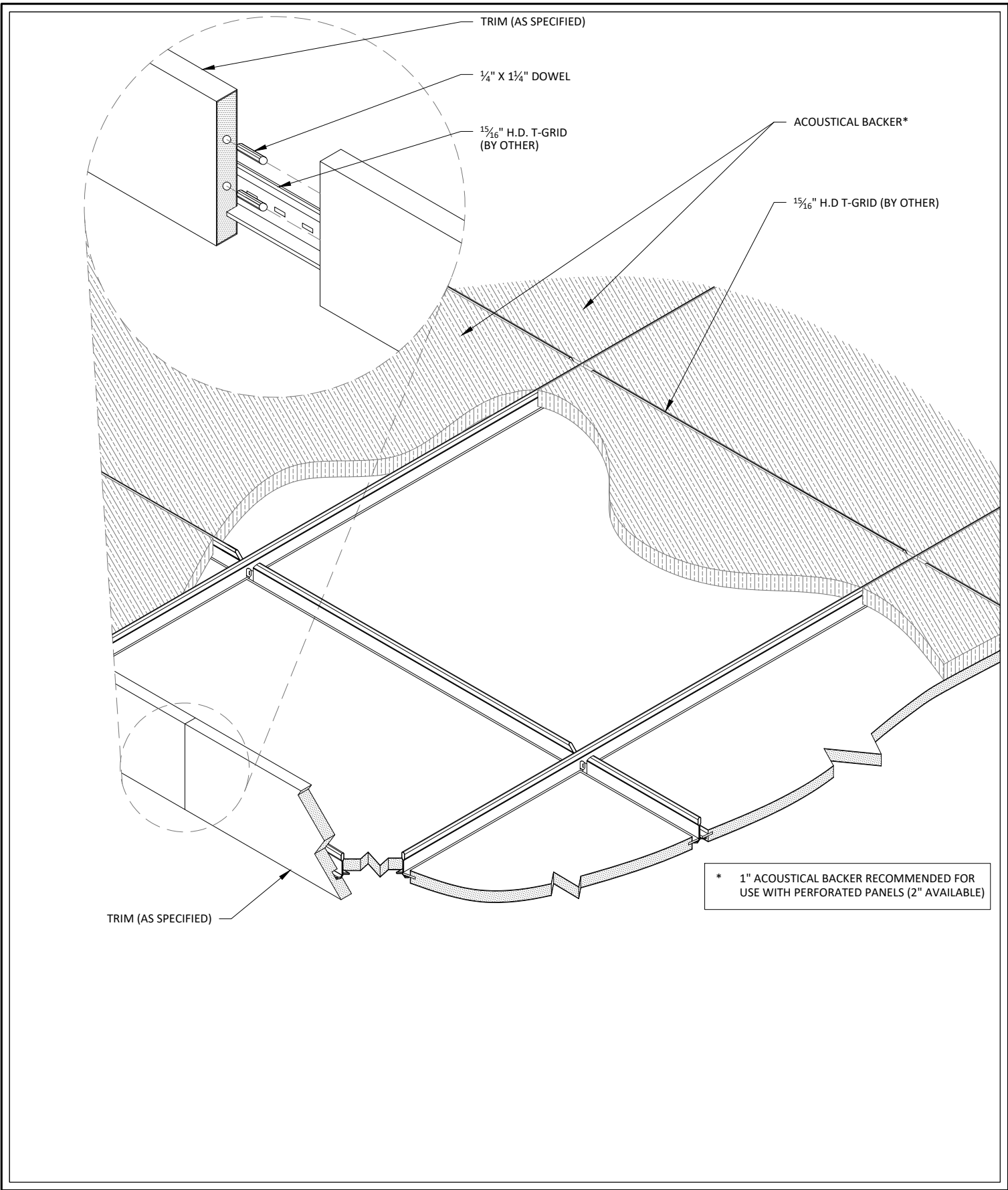
1 TYPICAL SECTION
3" = 1'-0"



2 SPLINE DETAIL
1' = 1'-0"

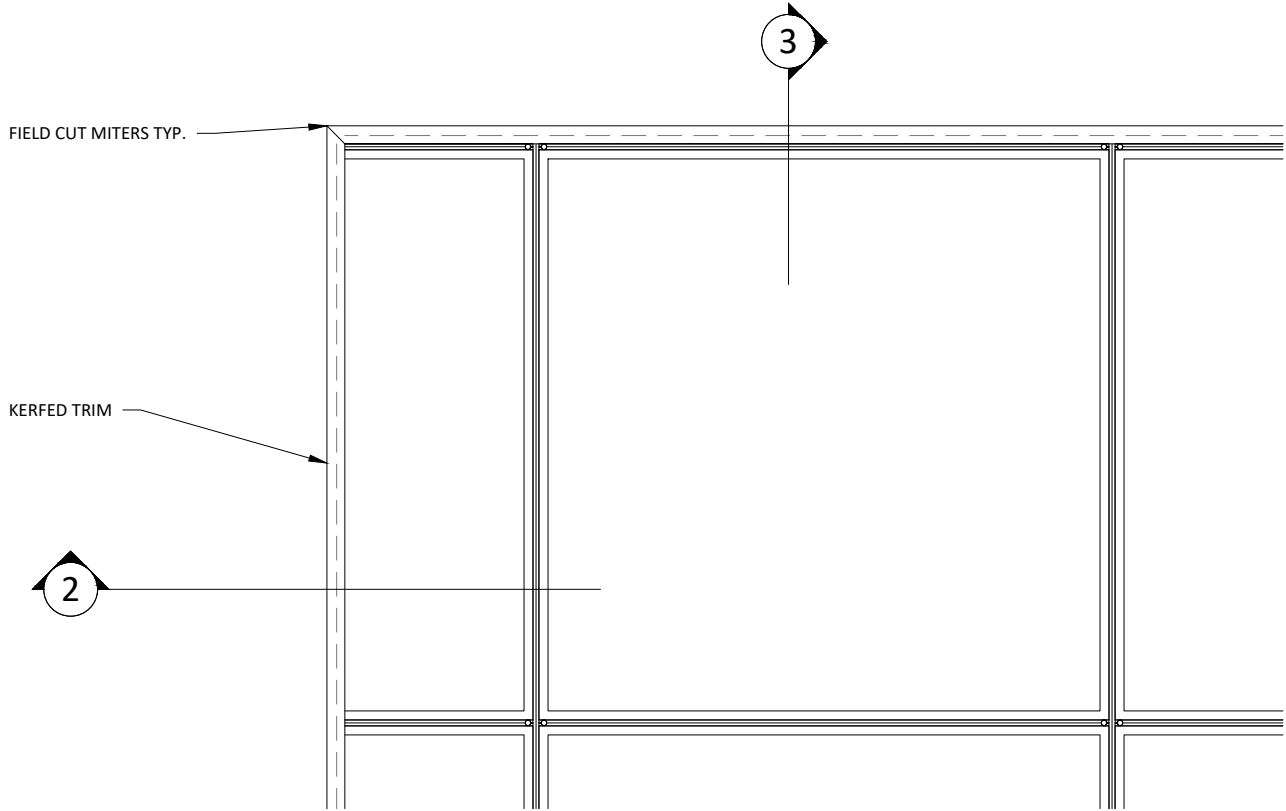
 <p>7.7% OPEN AREA</p>	 <p>13.8% OPEN AREA</p>	 <p>13.8% OPEN AREA</p>
<p>DIAMOND: 8MM DIA./16MM SPACING</p>	<p>SQUARE: 8MM DIA./16MM SPACING</p>	<p>STAGGERED: 8MM DIA./16MM SPACING</p>
 <p>4.4% OPEN AREA</p>	 <p>7.9% OPEN AREA</p>	 <p>7.9% OPEN AREA</p>
<p>DIAMOND: 6MM DIA./16MM SPACING</p>	<p>SQUARE: 6MM DIA./16MM SPACING</p>	<p>STAGGERED: 6MM DIA./16MM SPACING</p>
 <p>2.0% OPEN AREA</p>	 <p>3.6% OPEN AREA</p>	 <p>3.6% OPEN AREA</p>
<p>DIAMOND: 4MM DIA./16MM SPACING</p>	<p>SQUARE: 4MM DIA./16MM SPACING</p>	<p>STAGGERED: 4MM DIA./16MM SPACING</p>

<p>3.1% OPEN AREA</p>	<p>6.2% OPEN AREA</p>	<p>4.6% OPEN AREA</p>
DIAMOND: 8MM DIA./32MM SPACING	SQUARE: 8MM DIA./32MM SPACING	STAGGERED: 8MM DIA./32MM SPACING
<p>1.8% OPEN AREA</p>	<p>3.5% OPEN AREA</p>	<p>2.6% OPEN AREA</p>
DIAMOND: 6MM DIA./32MM SPACING	SQUARE: 6MM DIA./32MM SPACING	STAGGERED: 6MM DIA./32MM SPACING
<p>0.8% OPEN AREA</p>	<p>1.6% OPEN AREA</p>	<p>1.2% OPEN AREA</p>
DIAMOND: 4MM DIA./32MM SPACING	SQUARE: 4MM DIA./32MM SPACING	STAGGERED: 4MM DIA./32MM SPACING



* 1" ACOUSTICAL BACKER RECOMMENDED FOR USE WITH PERFORATED PANELS (2" AVAILABLE)

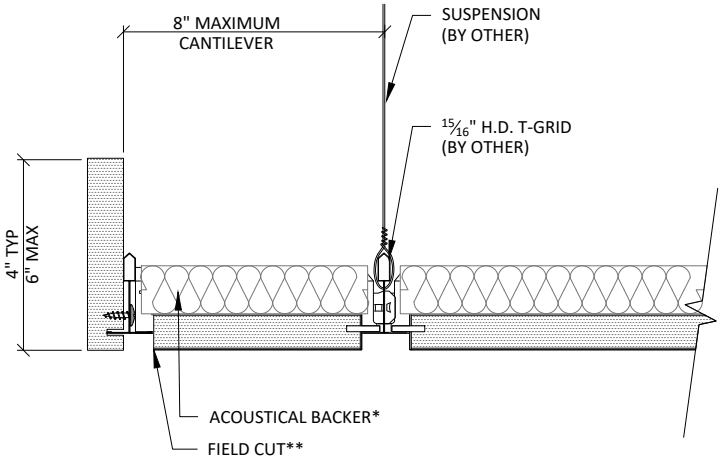
**FUSION (SPLINED PANELS) -
 ISOMETRIC**



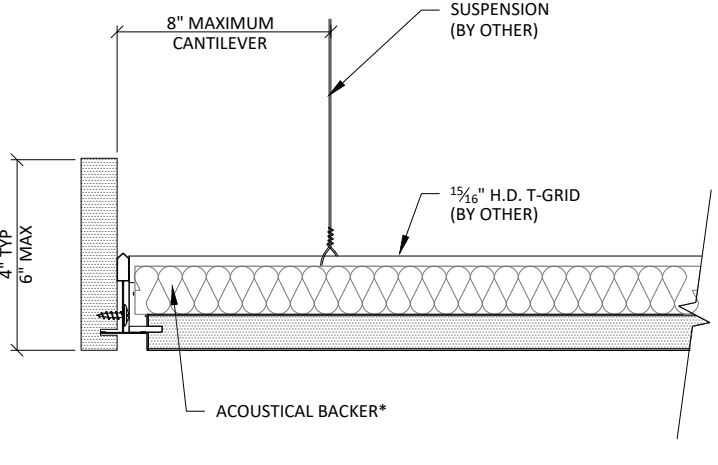
1 TRIM @ MITERED CORNER - PLAN
 1 1/2" = 1'-0"

* 1" ACOUSTICAL BACKER RECOMMENDED FOR USE WITH PERFORATED PANELS (2" AVAILABLE)

** ALL FIELD CUTS TO ALLOW FOR 1/2" MIN REVEAL FOR EXPANSION & CONTRACTION



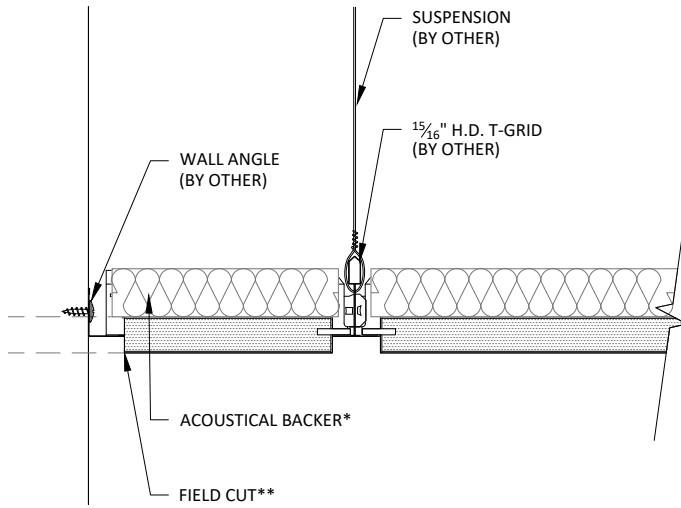
2 TRIM DETAIL 1
 3" = 1'-0"



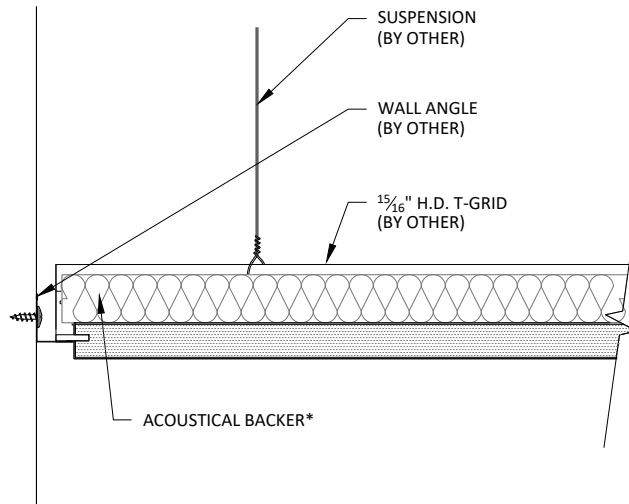
3 TRIM DETAIL 2
 3" = 1'-0"

* 1" ACOUSTICAL BACKER RECOMMENDED FOR USE WITH PERFORATED PANELS (2" AVAILABLE)

** ALL FIELD CUTS TO ALLOW FOR 1/2" MIN REVEAL FOR EXPANSION & CONTRACTION



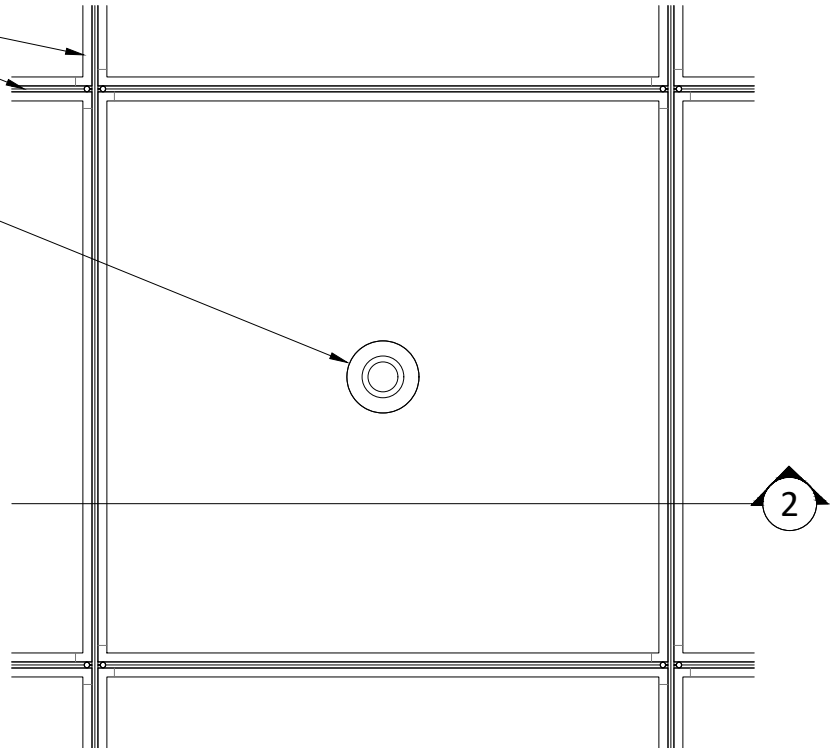
1 EDGE DETAIL 1
3" = 1'-0"



2 EDGE DETAIL 2
3" = 1'-0"

15/16" H.D. T-GRID (BY OTHER)

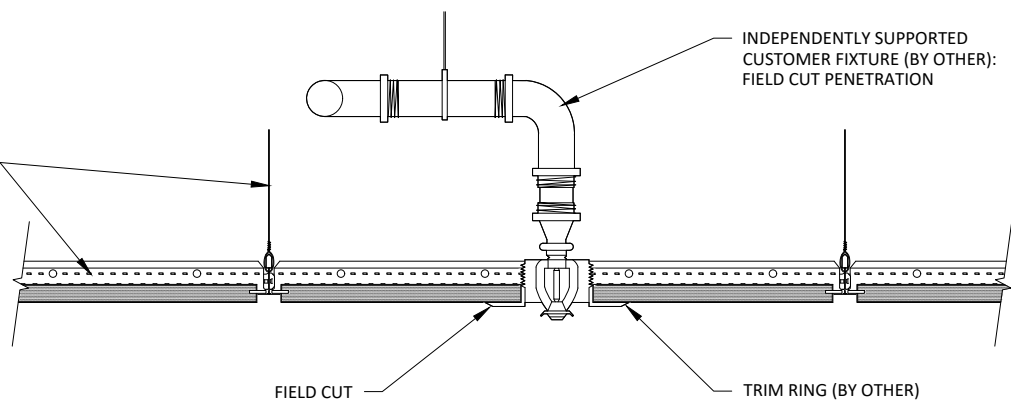
INDEPENDENTLY SUPPORTED
CUSTOMER FIXTURE (BY OTHER):
FIELD CUT PENETRATION



1 SPRINKLER PLAN
1 1/2" = 1'-0"

15/16" H.D. T-GRID (BY OTHER)

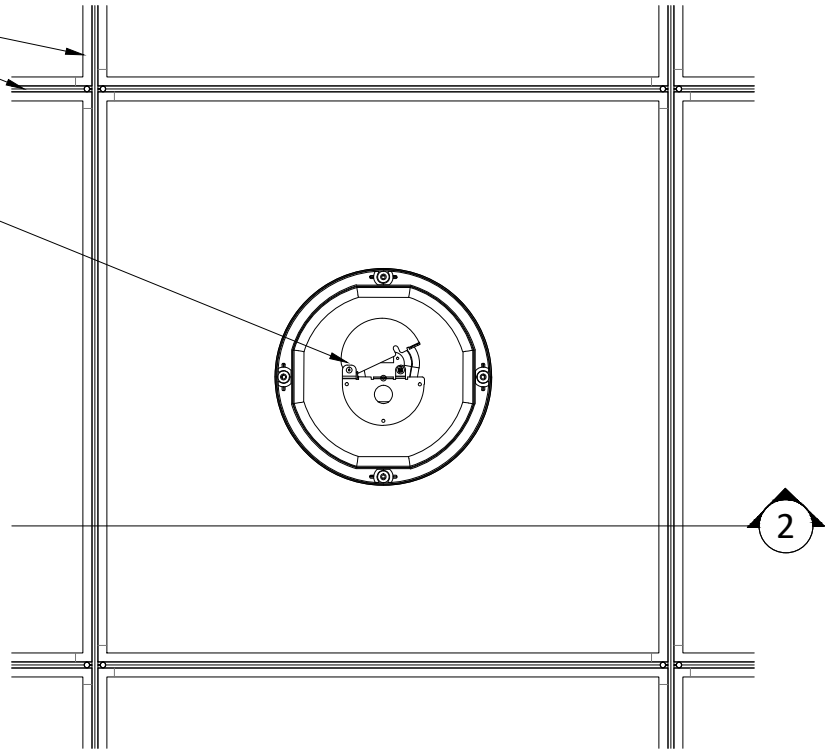
INDEPENDENTLY SUPPORTED
CUSTOMER FIXTURE (BY OTHER):
FIELD CUT PENETRATION



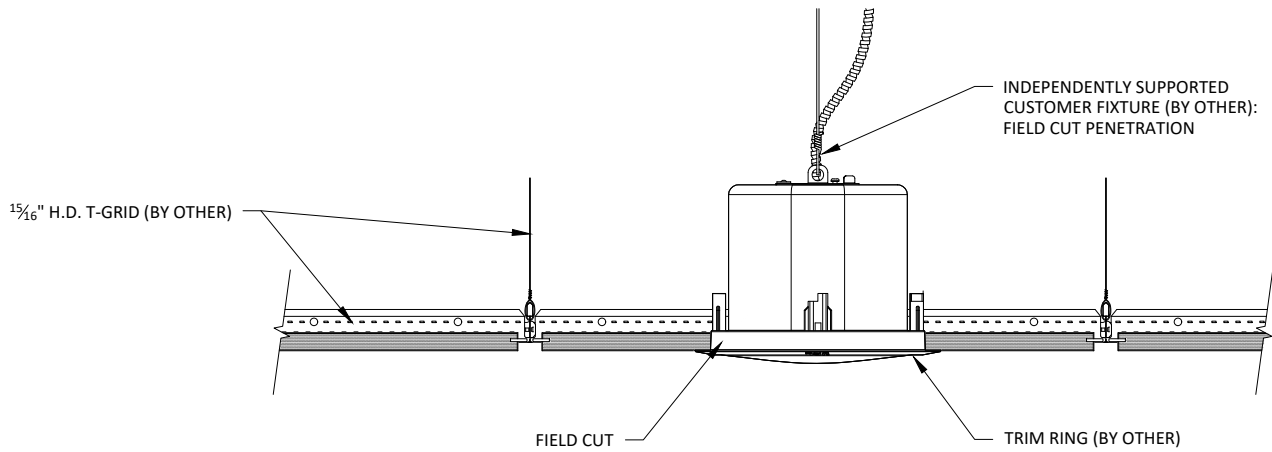
2 SPRINKLER SECTION
1 1/2" = 1'-0"

1 5/16" H.D. T-GRID (BY OTHER)

INDEPENDENTLY SUPPORTED
CUSTOMER FIXTURE (BY OTHER):
FIELD CUT PENETRATION



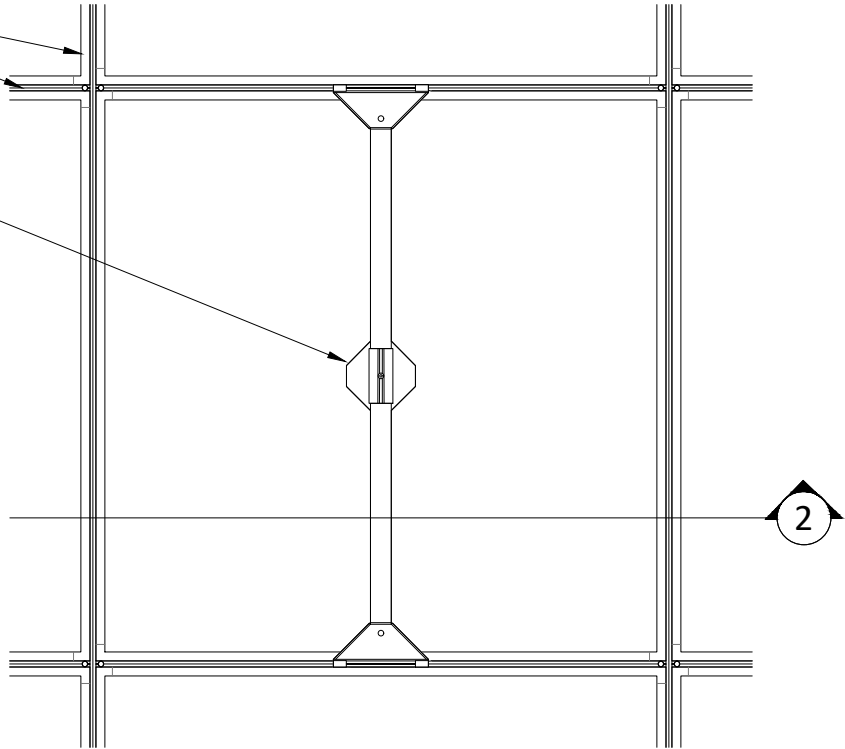
1 CAN LIGHT PLAN
1 1/2" = 1'-0"



2 CAN LIGHT SECTION
1 1/2" = 1'-0"

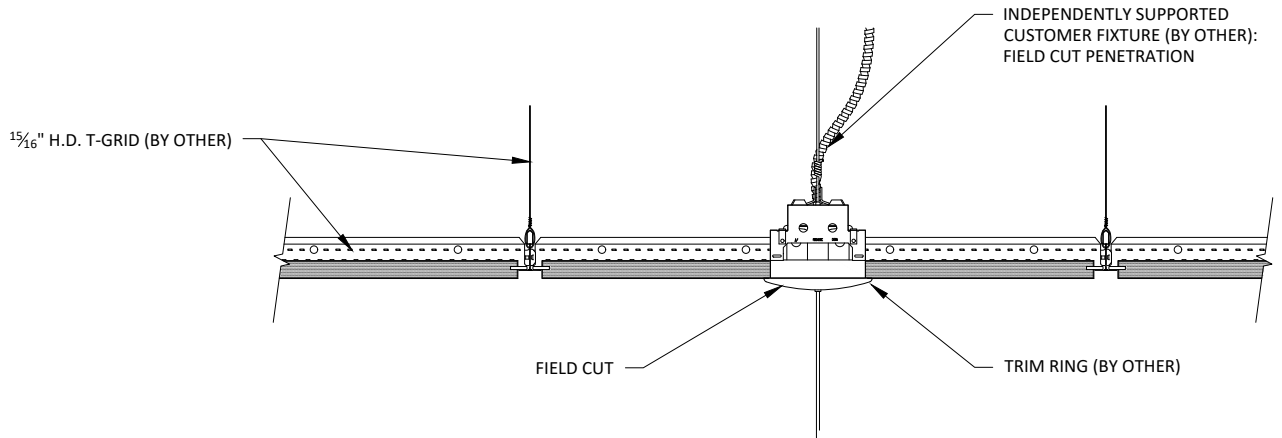
15/16" H.D. T-GRID (BY OTHER)

INDEPENDENTLY SUPPORTED
CUSTOMER FIXTURE (BY OTHER):
FIELD CUT PENETRATION



1 PENDANT LIGHT PLAN

1 1/2" = 1'-0"



2 PENDANT LIGHT SECTION

1 1/2" = 1'-0"



**FUSION (SPLINED PANELS) - PENDANT
LIGHT DETAIL**

SCALE: AS NOTED

LAST REVISED: 1/21/2025

DO NOT SCALE DRAWING. FIGURED DIMENSIONS ARE TO BE FOLLOWED. READ THIS DRAWING IN CONNECTION WITH GENERAL ARCHITECTURAL PLANS, STRUCTURAL PLANS, AND OTHER RELATED DRAWINGS. THESE DRAWINGS REPRESENT ASI'S UNDERSTANDING AND INTERPRETATION OF THE ARCHITECTURAL DRAWINGS AND HOW ASI PRODUCTS RELATE TO THE PROJECT. COPYRIGHT ASI © 2025

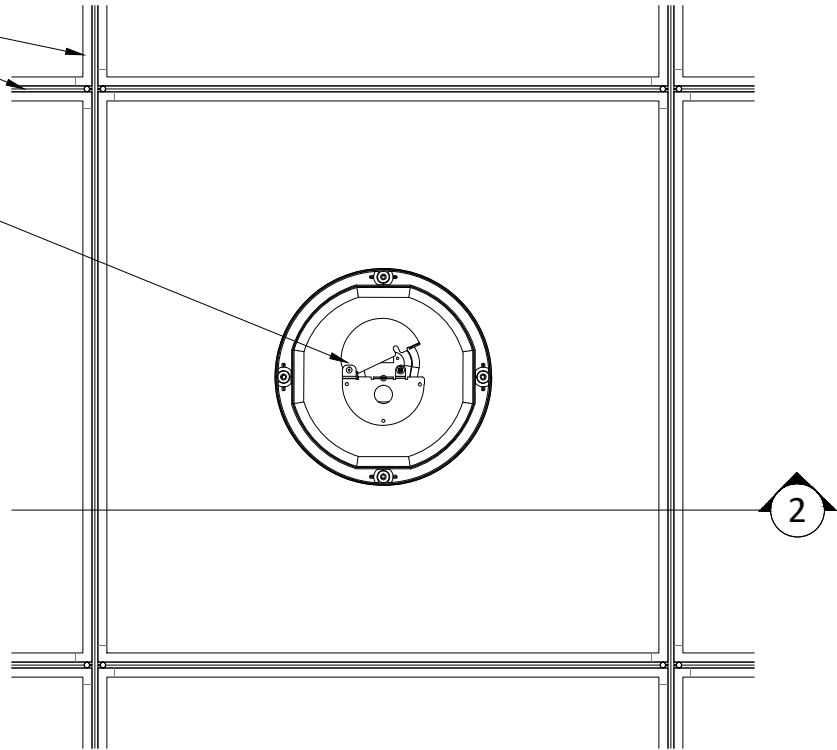
SHEET NUMBER

9

DRAWN BY: BH

1 5/16" H.D. T-GRID (BY OTHER)

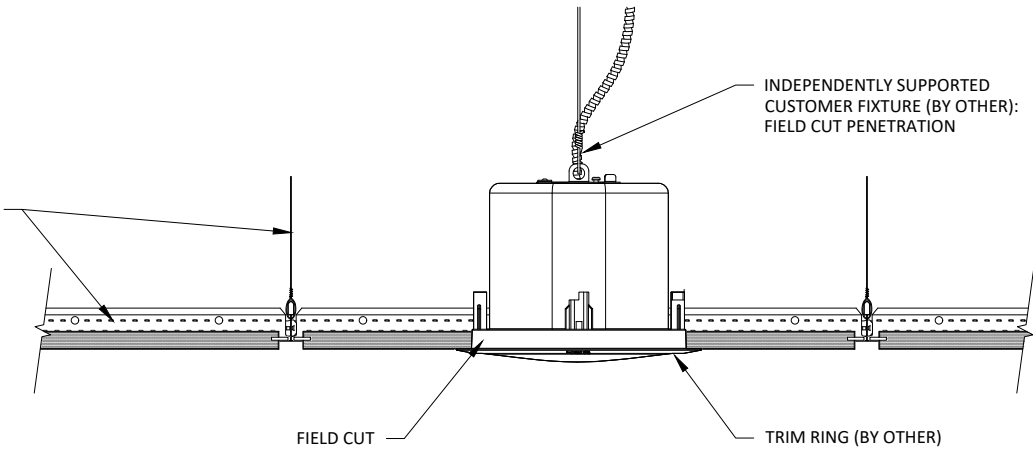
INDEPENDENTLY SUPPORTED
CUSTOMER FIXTURE (BY OTHER):
FIELD CUT PENETRATION



1 RECESSED SPEAKER PLAN
1 1/2" = 1'-0"

1 5/16" H.D. T-GRID (BY OTHER)

INDEPENDENTLY SUPPORTED
CUSTOMER FIXTURE (BY OTHER):
FIELD CUT PENETRATION



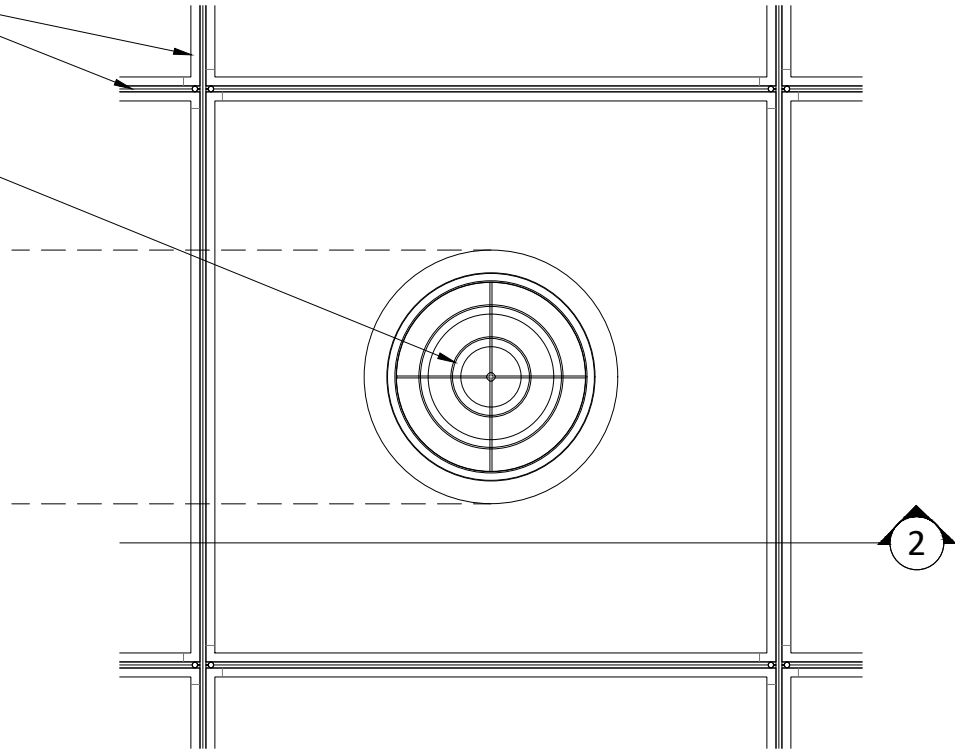
FIELD CUT

TRIM RING (BY OTHER)

2 RECESSED SPEAKER SECTION
1 1/2" = 1'-0"

$1\frac{5}{16}$ " H.D. T-GRID (BY OTHER)

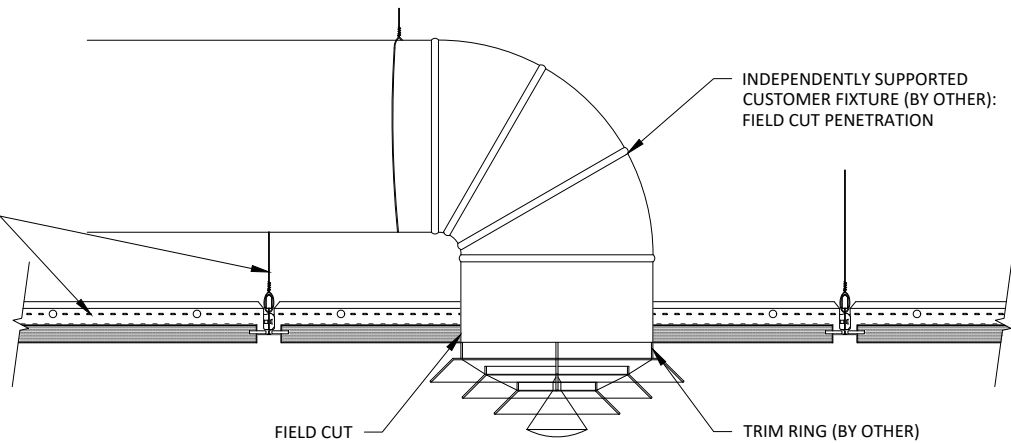
INDEPENDENTLY SUPPORTED
CUSTOMER FIXTURE (BY OTHER):
FIELD CUT PENETRATION



1 DIFFUSER PLAN
1 1/2" = 1'-0"

$1\frac{5}{16}$ " H.D. T-GRID (BY OTHER)

INDEPENDENTLY SUPPORTED
CUSTOMER FIXTURE (BY OTHER):
FIELD CUT PENETRATION



FIELD CUT

TRIM RING (BY OTHER)

2 DIFFUSER SECTION
1 1/2" = 1'-0"