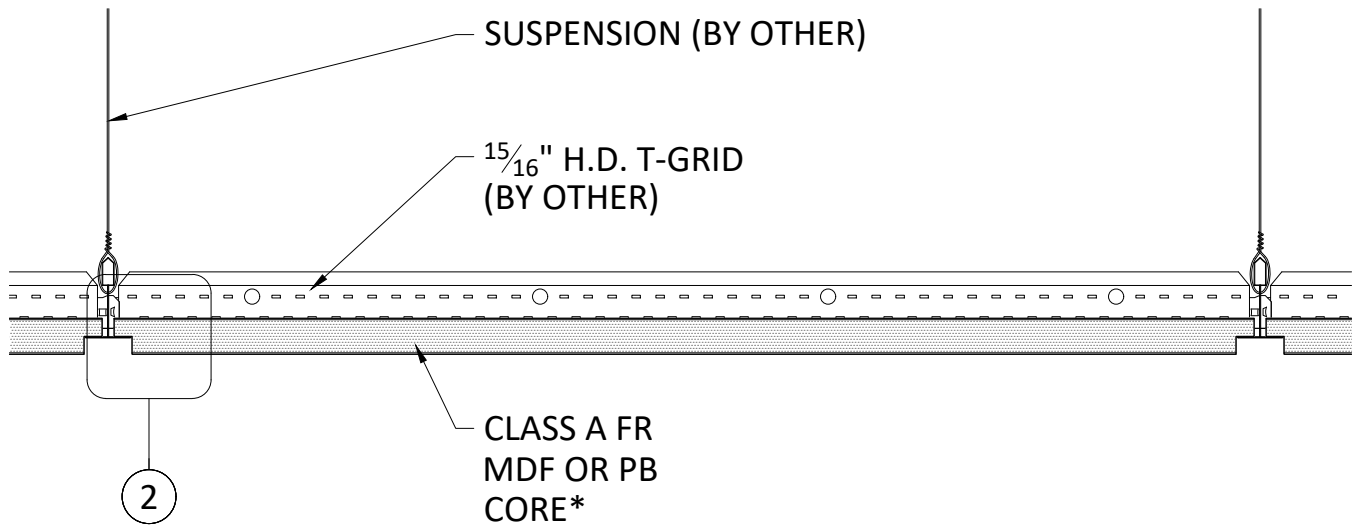
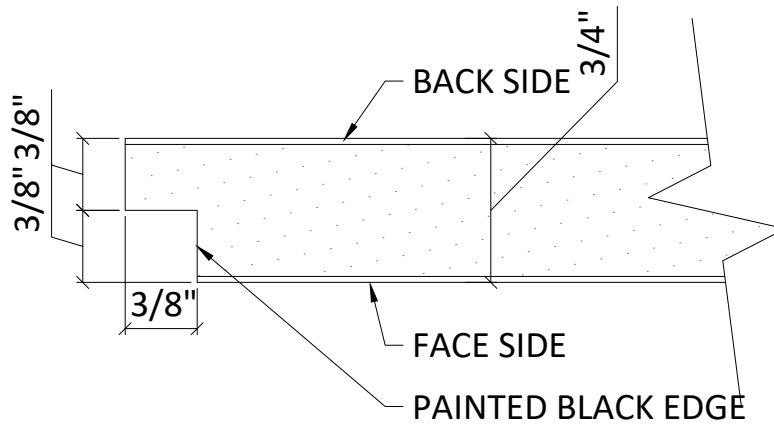


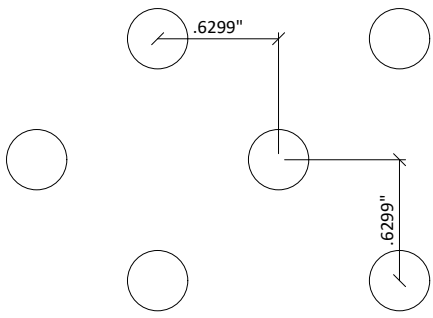
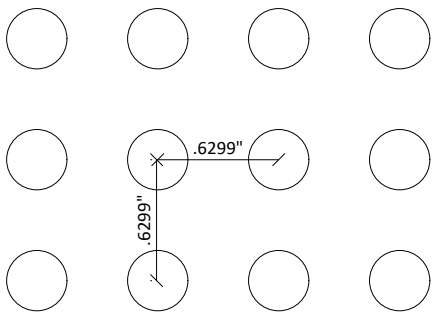
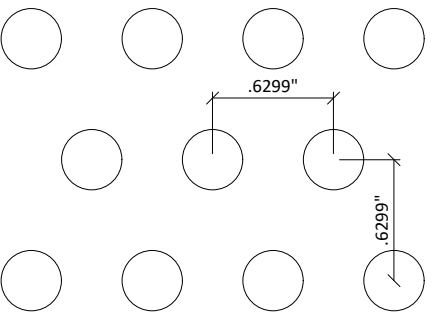
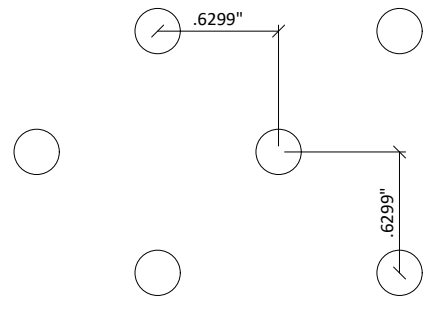
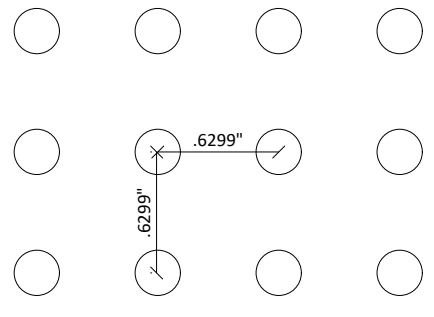
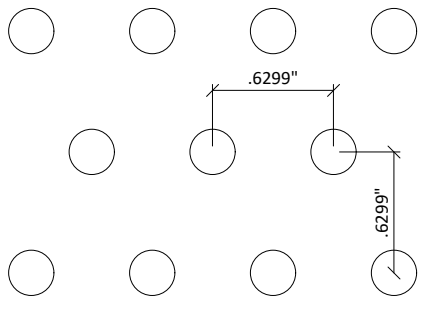
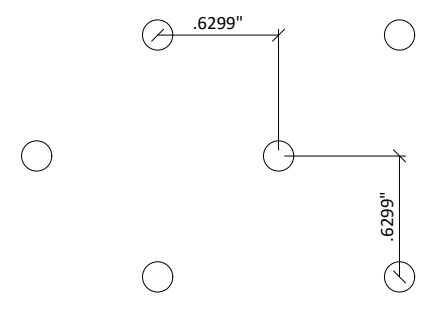
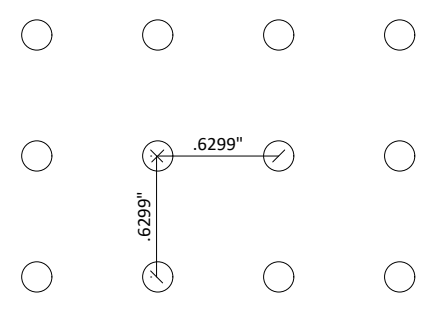
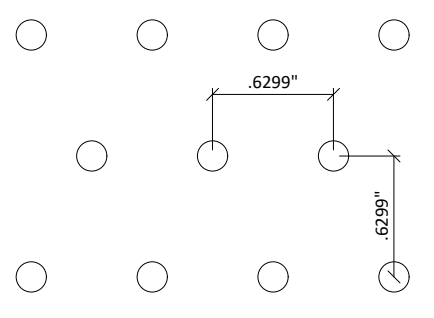
\* PANELS MAY BE PERFORMED (AS SPECIFIED) IN WHICH CASE, ACOUSTICAL BACKER IS RECOMMENDED (1" OR 2" OPTIONS)



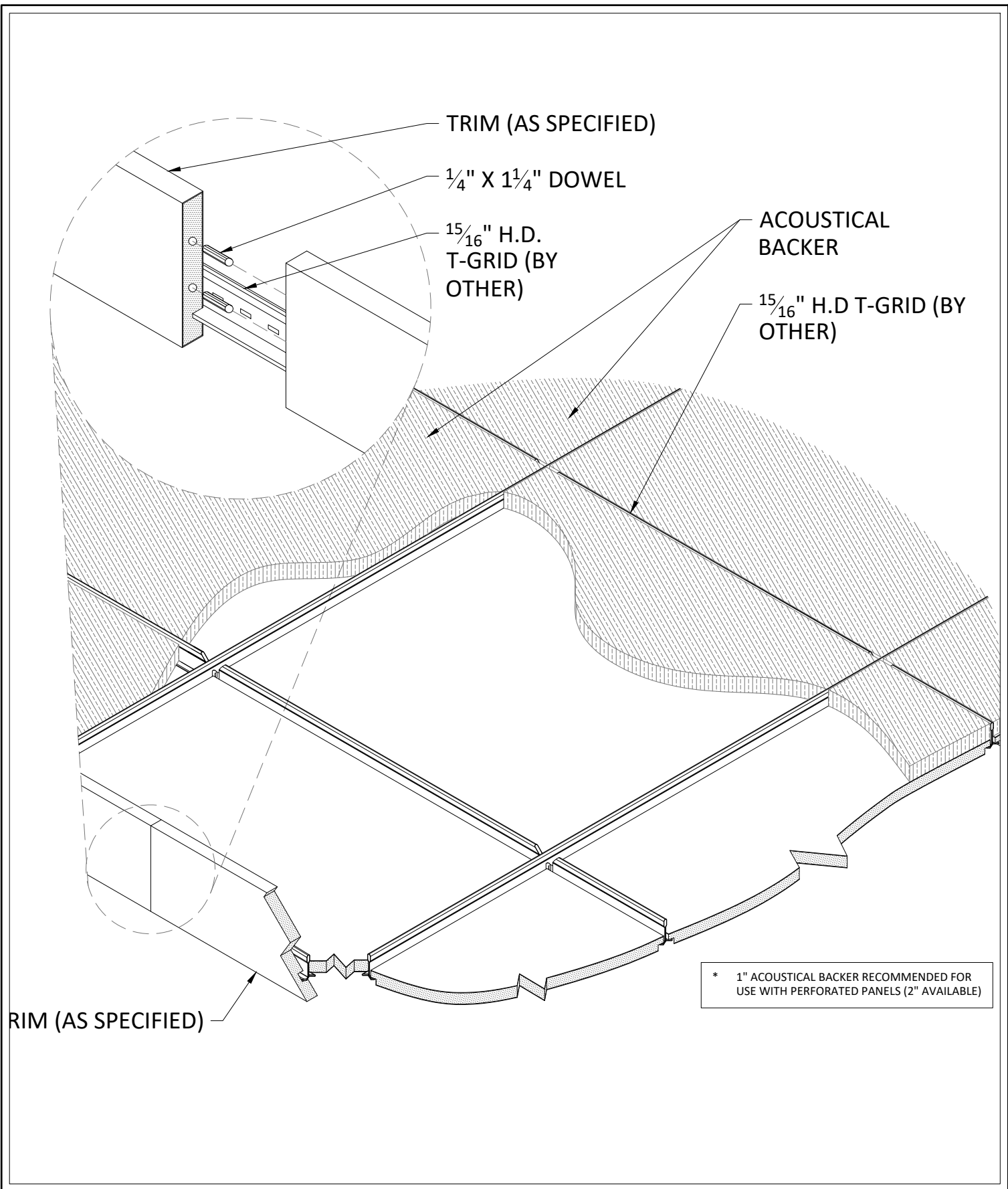
1 TYPICAL SECTION  
3" = 1'-0"



2 RABBET DETAIL  
1' = 1'-0"

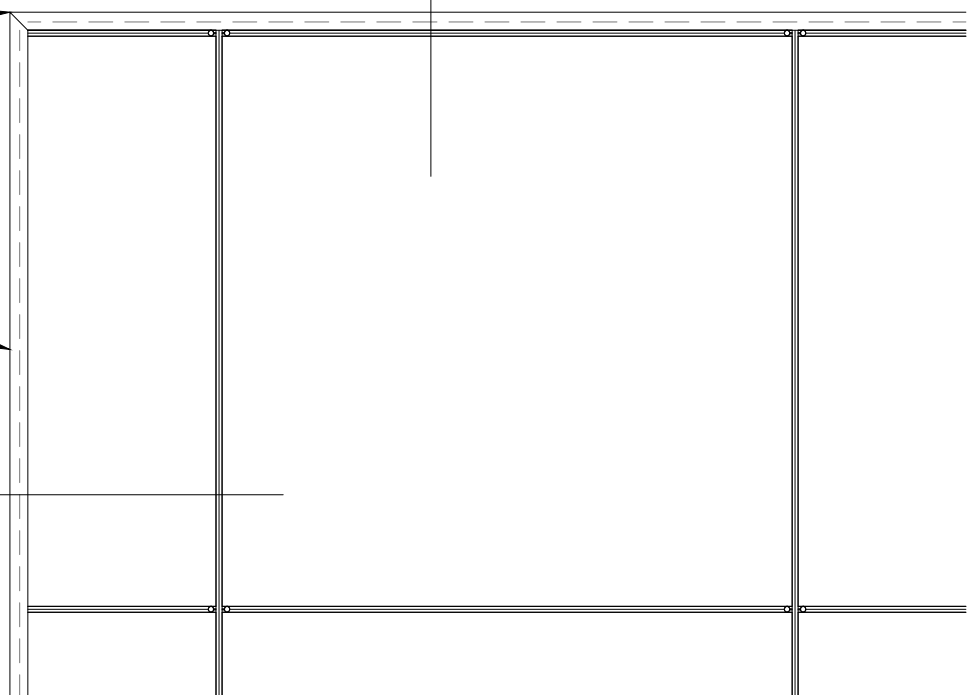
 <p>7.7% OPEN AREA</p>	 <p>13.8% OPEN AREA</p>	 <p>13.8% OPEN AREA</p>
<b>DIAMOND: 8MM DIA./16MM SPACING</b>	<b>SQUARE: 8MM DIA./16MM SPACING</b>	<b>STAGGERED: 8MM DIA./16MM SPACING</b>
 <p>4.4% OPEN AREA</p>	 <p>7.9% OPEN AREA</p>	 <p>7.9% OPEN AREA</p>
<b>DIAMOND: 6MM DIA./16MM SPACING</b>	<b>SQUARE: 6MM DIA./16MM SPACING</b>	<b>STAGGERED: 6MM DIA./16MM SPACING</b>
 <p>2.0% OPEN AREA</p>	 <p>3.6% OPEN AREA</p>	 <p>3.6% OPEN AREA</p>
<b>DIAMOND: 4MM DIA./16MM SPACING</b>	<b>SQUARE: 4MM DIA./16MM SPACING</b>	<b>STAGGERED: 4MM DIA./16MM SPACING</b>

<p>3.1% OPEN AREA</p>	<p>6.2% OPEN AREA</p>	<p>4.6% OPEN AREA</p>
<b>DIAMOND: 8MM DIA./32MM SPACING</b>	<b>SQUARE: 8MM DIA./32MM SPACING</b>	<b>STAGGERED: 8MM DIA./32MM SPACING</b>
<p>1.8% OPEN AREA</p>	<p>3.5% OPEN AREA</p>	<p>2.6% OPEN AREA</p>
<b>DIAMOND: 6MM DIA./32MM SPACING</b>	<b>SQUARE: 6MM DIA./32MM SPACING</b>	<b>STAGGERED: 6MM DIA./32MM SPACING</b>
<p>0.8% OPEN AREA</p>	<p>1.6% OPEN AREA</p>	<p>1.2% OPEN AREA</p>
<b>DIAMOND: 4MM DIA./32MM SPACING</b>	<b>SQUARE: 4MM DIA./32MM SPACING</b>	<b>STAGGERED: 4MM DIA./32MM SPACING</b>



FIELD CUT MITERS  
TYP.

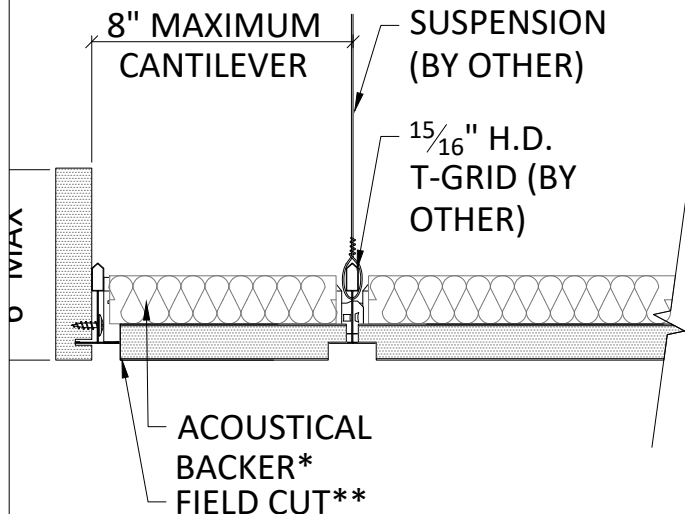
KERFED TRIM



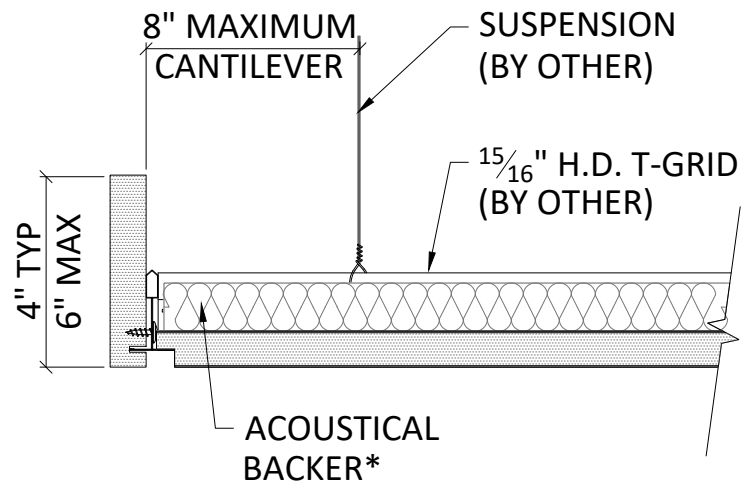
**1** TRIM @ MITERED CORNER - PLAN  
1 1/2" = 1'-0"

1" ACOUSTICAL BACKER RECOMMENDED FOR USE WITH PERFORATED PANELS (2" AVAILABLE)

\*\* ALL FIELD CUTS TO ALLOW FOR 1/2" MIN REVEAL FOR EXPANSION & CONTRACTION



**2** TRIM DETAIL 1  
3" = 1'-0"



**3** TRIM DETAIL 2  
3" = 1'-0"



123 Columbia Court North, Chaska, Minnesota 55318 P. 800.527.6253

## FUSION (RABBETED PANELS) - TRIM CONDITIONS

SCALE: AS NOTED

LAST REVISED: 1/21/2025

DO NOT SCALE DRAWING. FIGURED DIMENSIONS ARE TO BE FOLLOWED. READ THIS DRAWING IN CONNECTION WITH GENERAL ARCHITECTURAL PLANS, STRUCTURAL PLANS, AND OTHER RELATED DRAWINGS. THESE DRAWINGS REPRESENT ASI'S UNDERSTANDING AND INTERPRETATION OF THE ARCHITECTURAL DRAWINGS AND HOW ASI PRODUCTS RELATE TO THE PROJECT. COPYRIGHT ASI © 2025

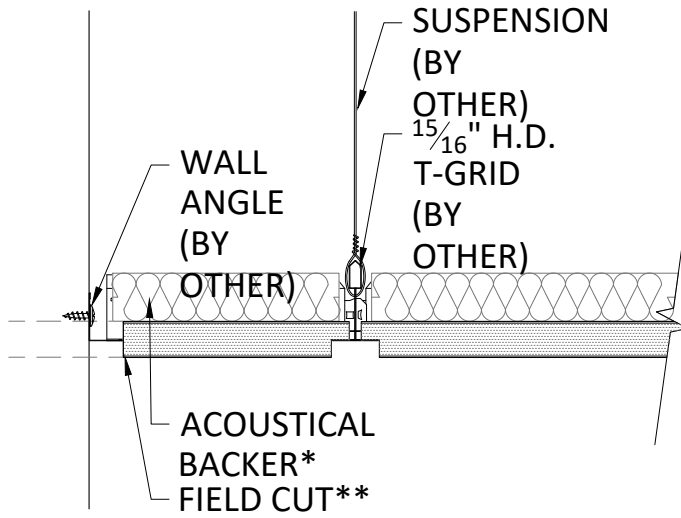
SHEET NUMBER

5

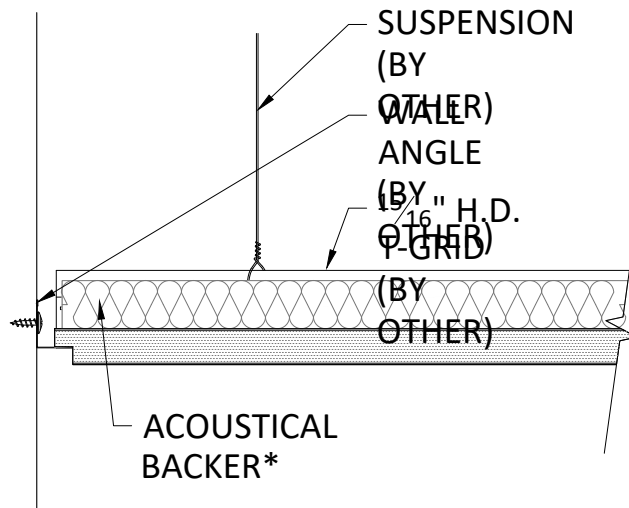
DRAWN BY: BH

\* 1" ACOUSTICAL BACKER RECOMMENDED FOR USE WITH PERFORATED PANELS (2" AVAILABLE)

\*\* ALL FIELD CUTS TO ALLOW FOR 1/2" MIN REVEAL FOR EXPANSION & CONTRACTION



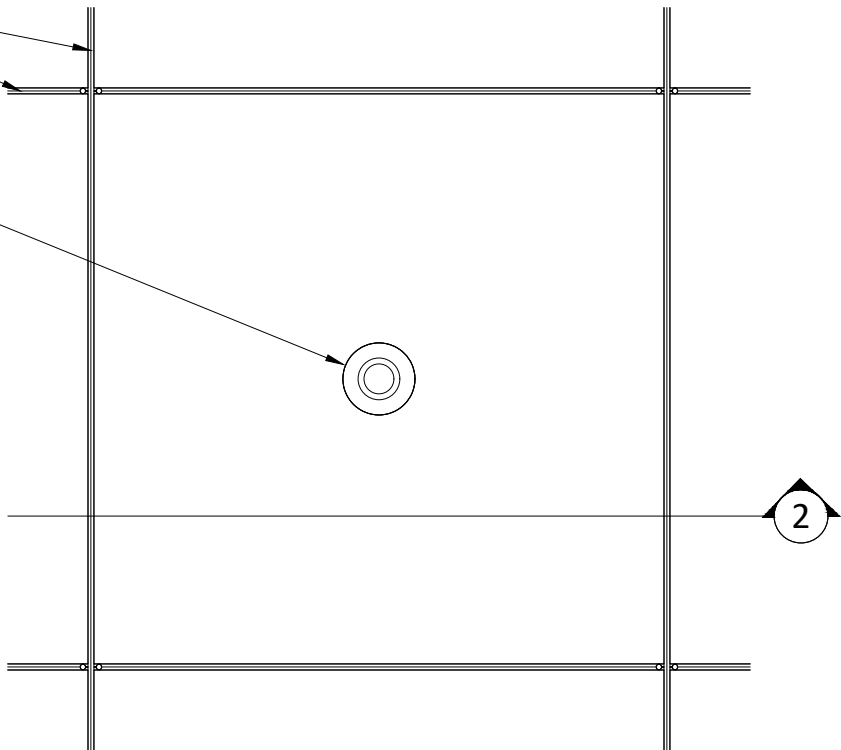
1 EDGE DETAIL 1  
3" = 1'-0"



2 EDGE DETAIL 2  
3" = 1'-0"

15/16" H.D. T-GRID  
(BY OTHER)

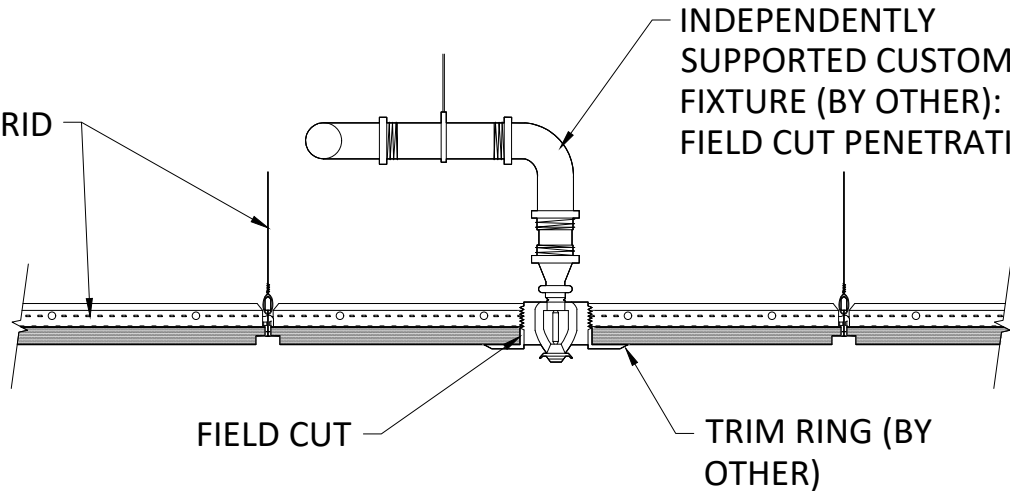
INDEPENDENTLY  
SUPPORTED  
CUSTOMER  
FIXTURE (BY  
OTHER): FIELD  
CUT  
PENETRATION



1 SPRINKLER PLAN  
1 1/2" = 1'-0"

15/16" H.D. T-GRID  
(BY OTHER)

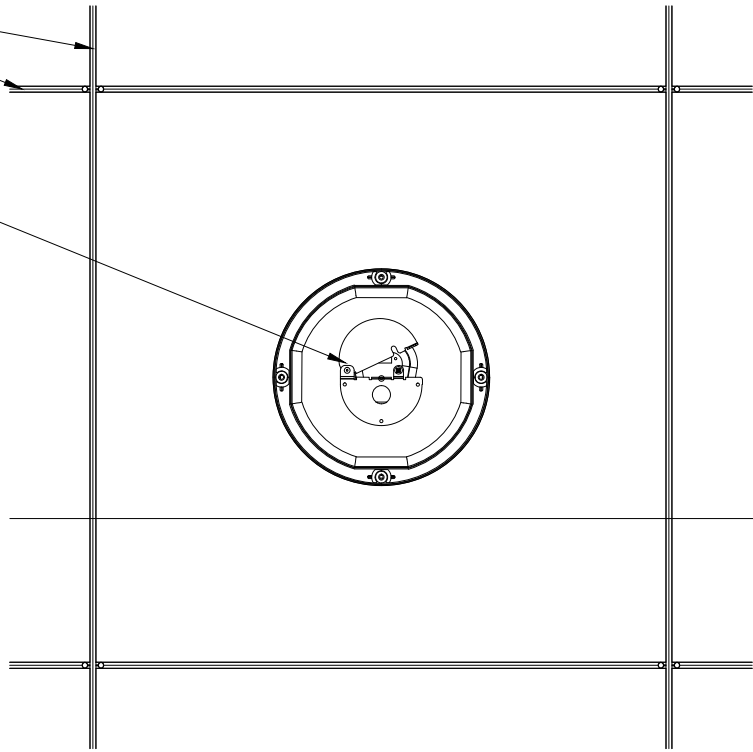
INDEPENDENTLY  
SUPPORTED CUSTOMER  
FIXTURE (BY OTHER):  
FIELD CUT PENETRATION



2 SPRINKLER SECTION  
1 1/2" = 1'-0"

15/16" H.D. T-GRID  
(BY OTHER)

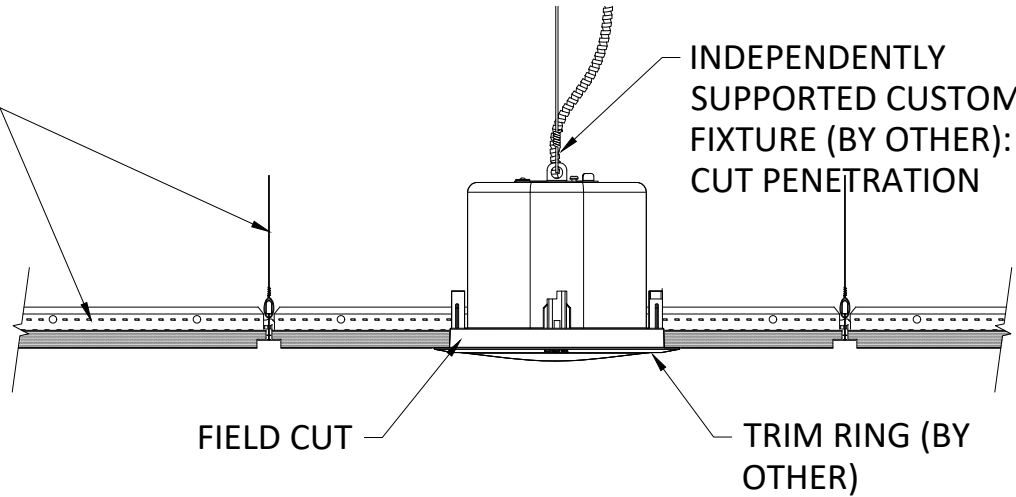
INDEPENDENTLY  
SUPPORTED  
CUSTOMER  
FIXTURE (BY  
OTHER): FIELD  
CUT  
PENETRATION



1 CAN LIGHT PLAN  
1 1/2" = 1'-0"

15/16" H.D. T-GRID  
(BY OTHER)

INDEPENDENTLY  
SUPPORTED CUSTOMER  
FIXTURE (BY OTHER): FIELD  
CUT PENETRATION



2 CAN LIGHT SECTION  
1 1/2" = 1'-0"



123 Columbia Court North, Chaska,  
Minnesota 55318 P. 800.527.6253

## FUSION (RABBETED PANELS) - CAN LIGHT DETAIL

SCALE: AS NOTED

LAST REVISED: 1/21/2025

DO NOT SCALE DRAWING. FIGURED DIMENSIONS ARE TO BE FOLLOWED. READ THIS DRAWING IN CONNECTION WITH GENERAL ARCHITECTURAL PLANS, STRUCTURAL PLANS, AND OTHER RELATED DRAWINGS. THESE DRAWINGS REPRESENT ASI'S UNDERSTANDING AND INTERPRETATION OF THE ARCHITECTURAL DRAWINGS AND HOW ASI PRODUCTS RELATE TO THE PROJECT. COPYRIGHT ASI © 2025

SHEET NUMBER

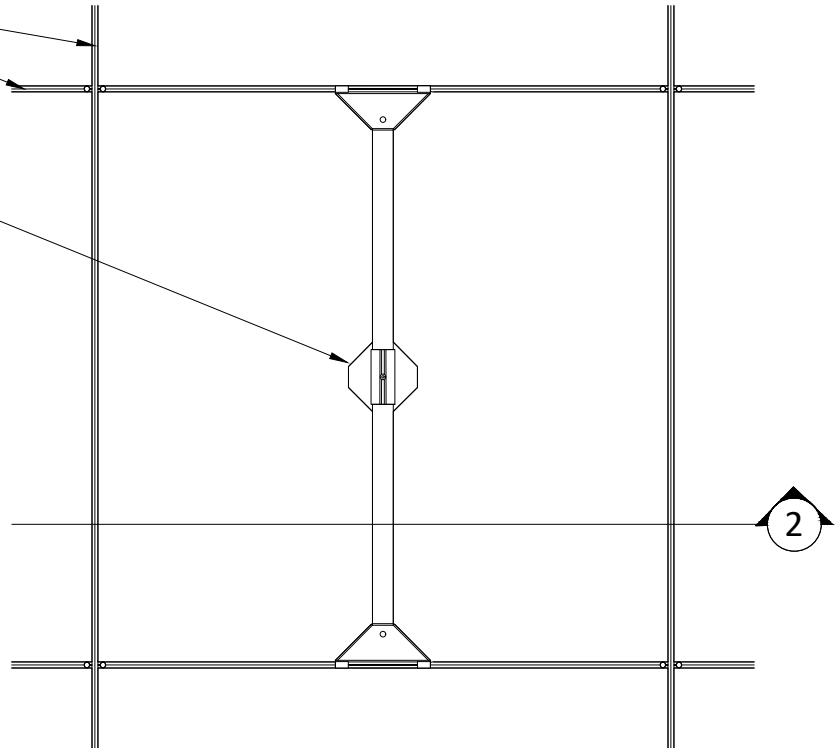
8

DRAWN BY: BH



15/16" H.D. T-GRID  
(BY OTHER)

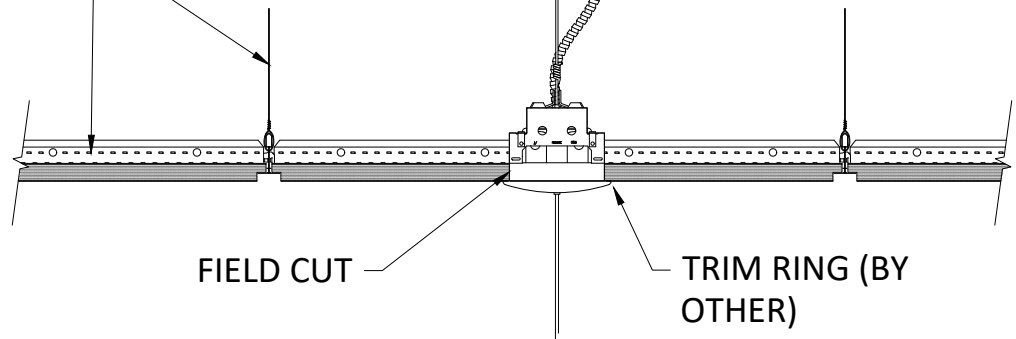
INDEPENDENTLY  
SUPPORTED  
CUSTOMER  
FIXTURE (BY  
OTHER): FIELD  
CUT  
PENETRATION



1 PENDANT LIGHT PLAN  
1 1/2" = 1'-0"

15/16" H.D. T-GRID  
(BY OTHER)

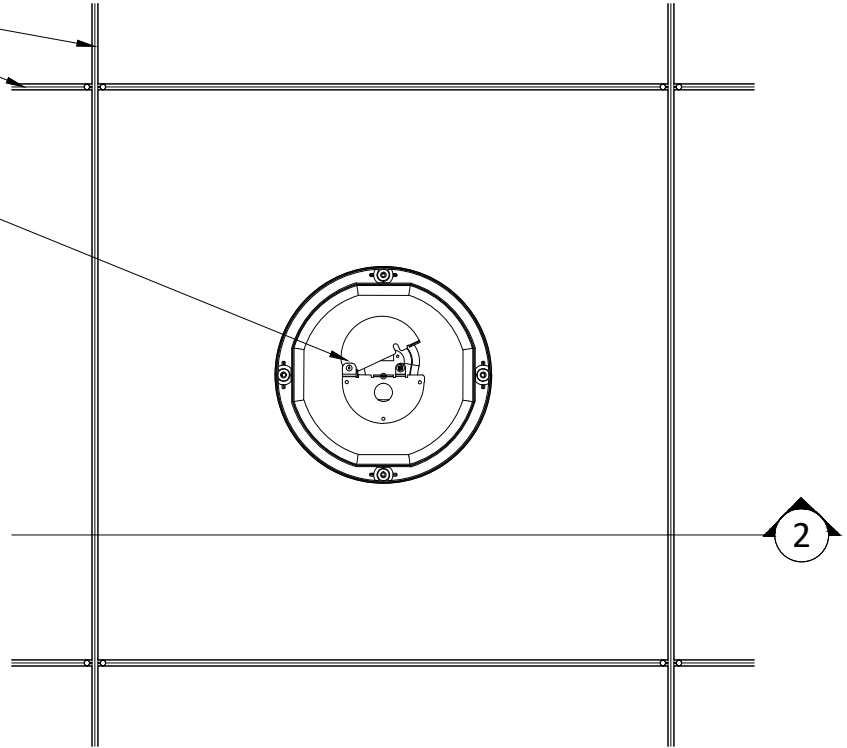
INDEPENDENTLY SUPPORTED  
CUSTOMER FIXTURE (BY OTHER):  
FIELD CUT PENETRATION



2 PENDANT LIGHT SECTION  
1 1/2" = 1'-0"

15/16" H.D. T-GRID  
(BY OTHER)

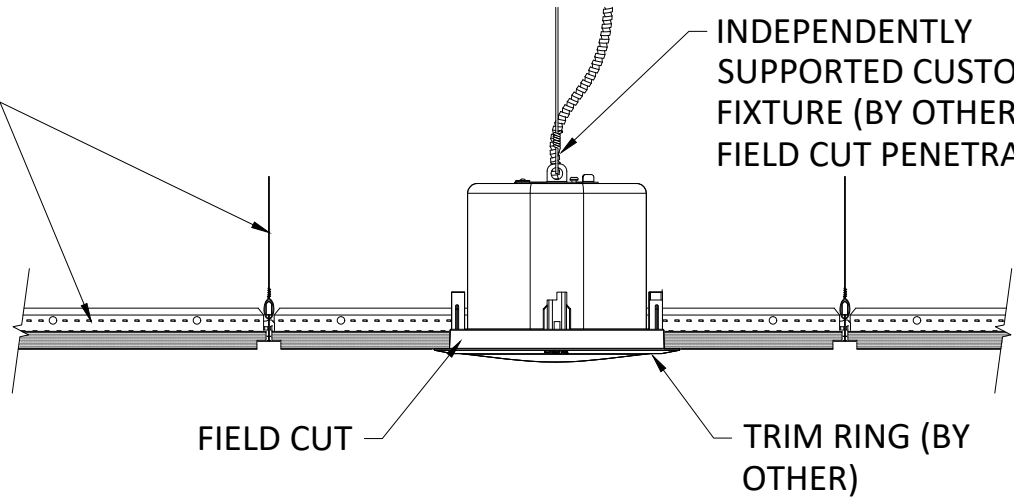
INDEPENDENTLY  
SUPPORTED  
CUSTOMER  
FIXTURE (BY  
OTHER): FIELD  
CUT  
PENETRATION



1 RECESSED SPEAKER PLAN  
1 1/2" = 1'-0"

15/16" H.D. T-GRID  
(BY OTHER)

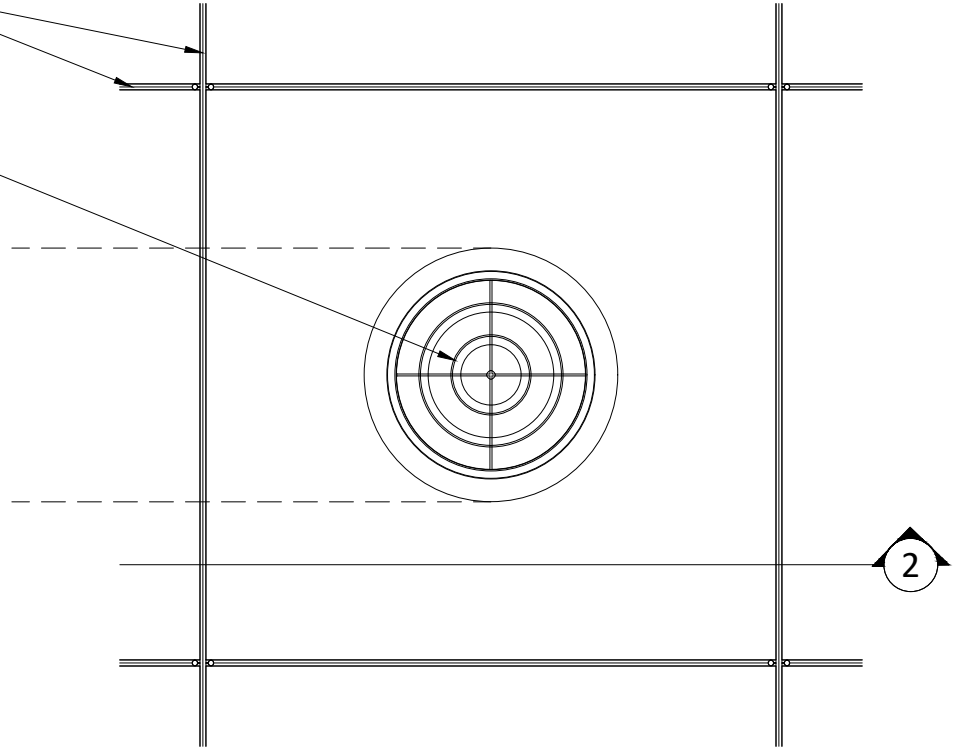
INDEPENDENTLY  
SUPPORTED CUSTOMER  
FIXTURE (BY OTHER):  
FIELD CUT PENETRATION



2 RECESSED SPEAKER SECTION  
1 1/2" = 1'-0"

15/16" H.D. T-GRID  
(BY OTHER)

INDEPENDENTLY  
SUPPORTED  
CUSTOMER  
FIXTURE (BY  
OTHER): FIELD  
CUT  
PENETRATION

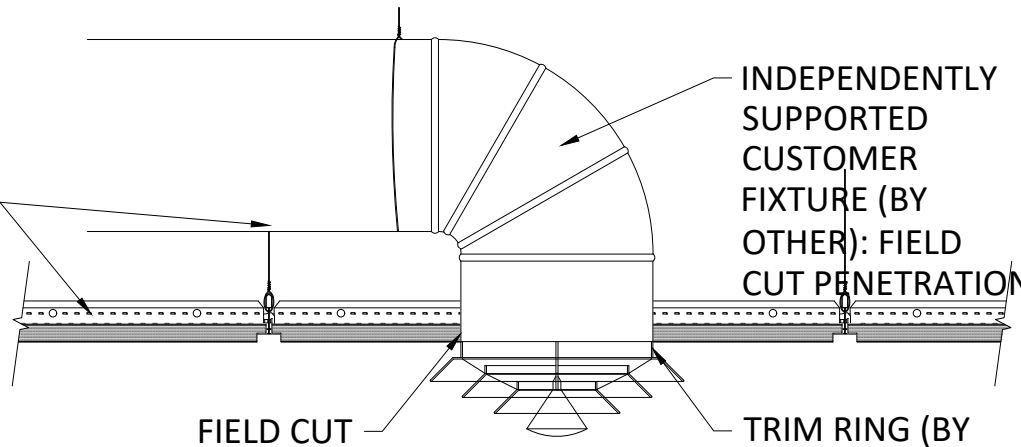


1 DIFFUSER PLAN  
1 1/2" = 1'-0"

15/16" H.D. T-GRID  
(BY OTHER)

INDEPENDENTLY  
SUPPORTED  
CUSTOMER  
FIXTURE (BY  
OTHER): FIELD  
CUT  
PENETRATION

TRIM RING (BY  
OTHER)



2 DIFFUSER SECTION  
1 1/2" = 1'-0"



123 Columbia Court North, Chaska,  
Minnesota 55318 P. 800.527.6253

## FUSION (RABBETED PANELS) - DIFFUSER DETAIL

SCALE: AS NOTED

LAST REVISED: 1/21/2025

DO NOT SCALE DRAWING. FIGURED DIMENSIONS ARE TO BE FOLLOWED. READ THIS DRAWING IN CONNECTION WITH GENERAL ARCHITECTURAL PLANS, STRUCTURAL PLANS, AND OTHER RELATED DRAWINGS. THESE DRAWINGS REPRESENT ASI'S UNDERSTANDING AND INTERPRETATION OF THE ARCHITECTURAL DRAWINGS AND HOW ASI PRODUCTS RELATE TO THE PROJECT. COPYRIGHT ASI © 2025

SHEET NUMBER

11

DRAWN BY: BH