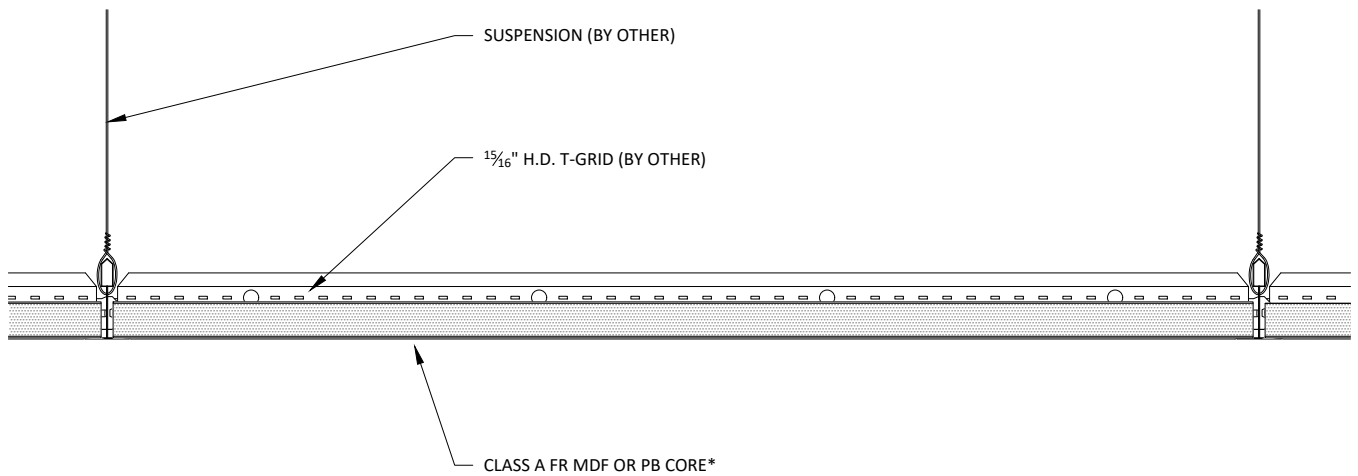
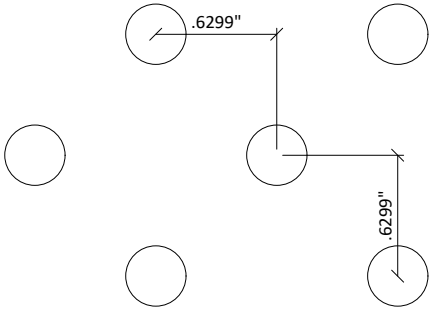
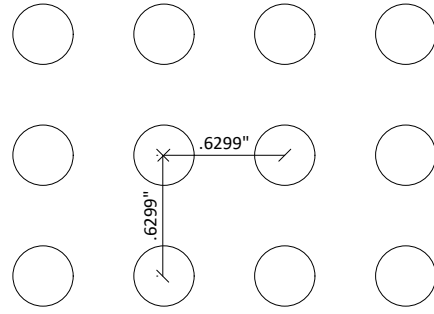
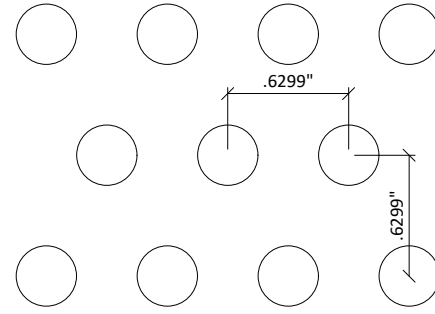
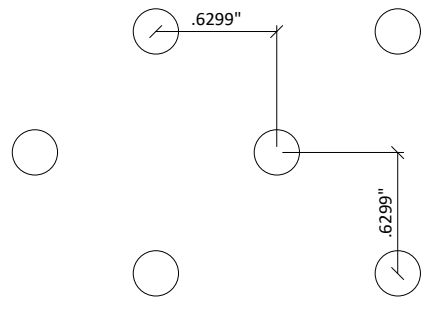
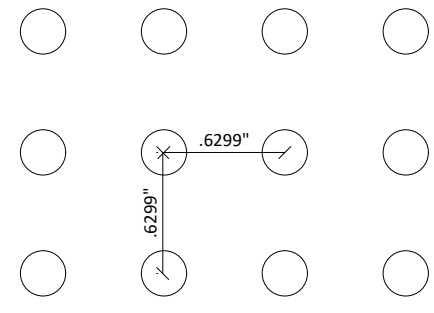
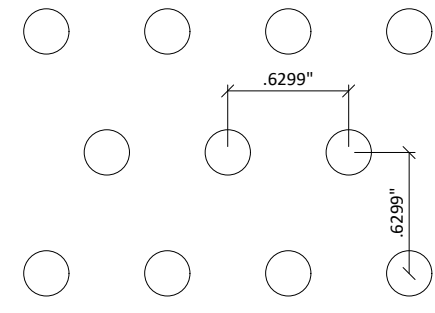
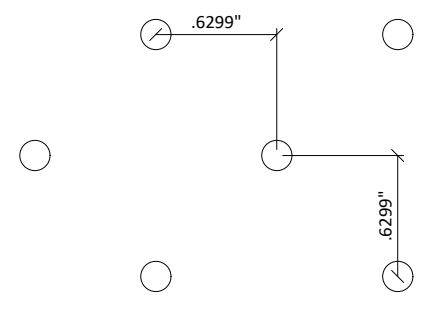
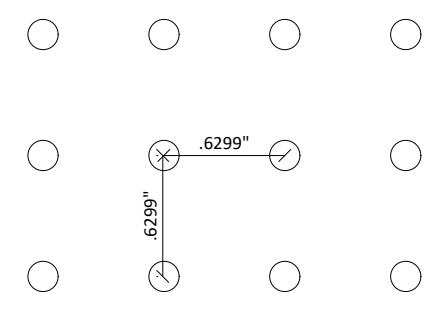
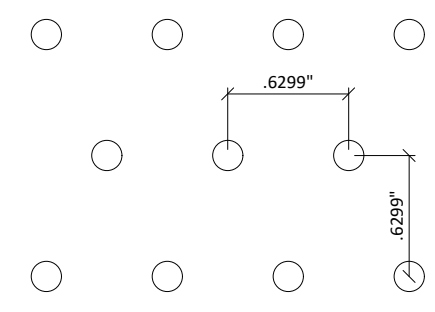
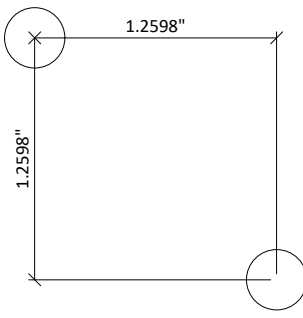
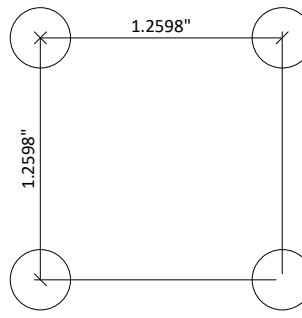
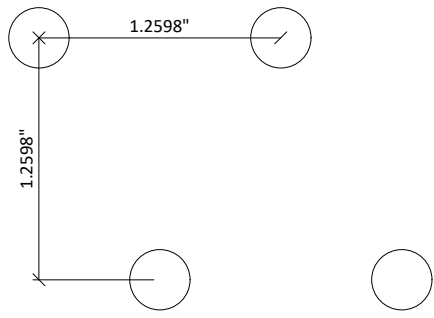
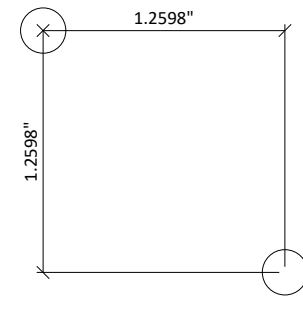
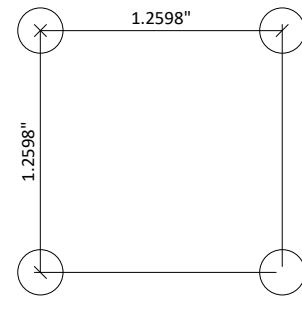
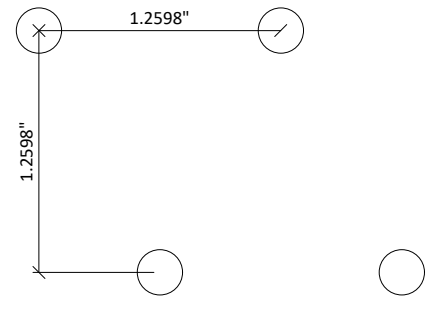
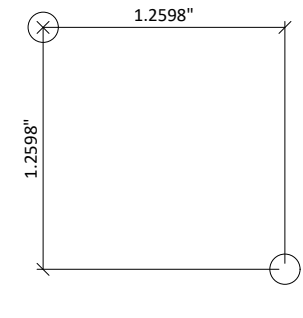
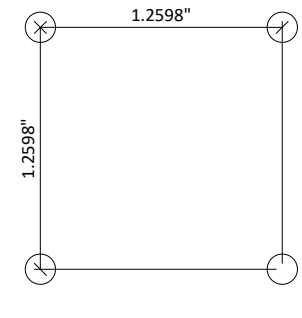
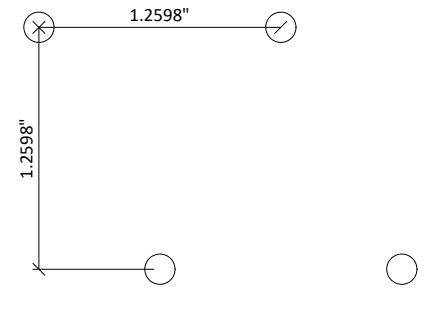


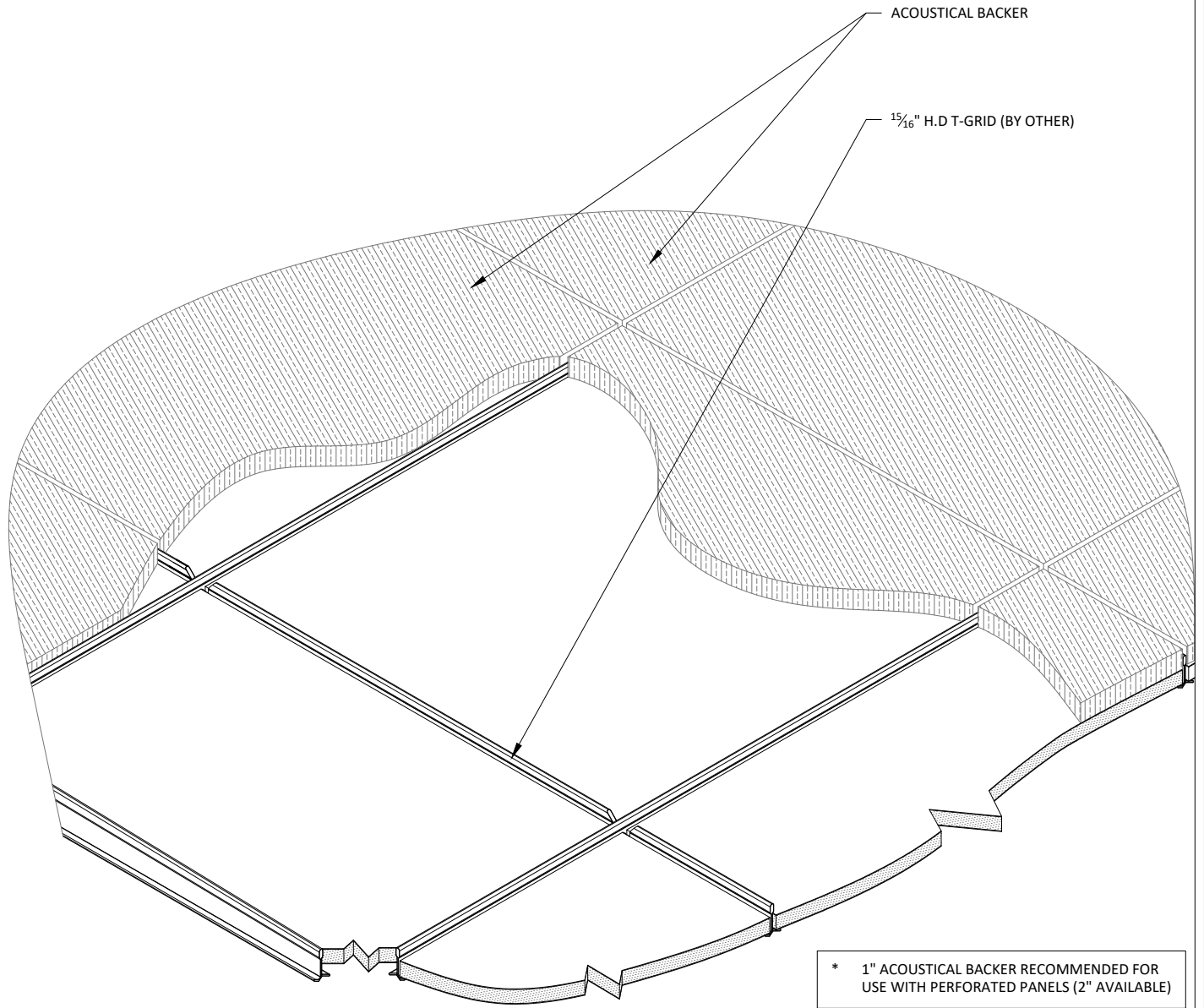
* PANELS MAY BE PERFORATED (AS SPECIFIED) IN WHICH CASE, ACOUSTICAL BACKER IS RECOMMENDED (1" OR 2" OPTIONS)



1 TYPICAL SECTION
3" = 1'-0"

 <p>7.7% OPEN AREA</p>	 <p>13.8% OPEN AREA</p>	 <p>13.8% OPEN AREA</p>
<p>DIAMOND: 8MM DIA./16MM SPACING</p>	<p>SQUARE: 8MM DIA./16MM SPACING</p>	<p>STAGGERED: 8MM DIA./16MM SPACING</p>
 <p>4.4% OPEN AREA</p>	 <p>7.9% OPEN AREA</p>	 <p>7.9% OPEN AREA</p>
<p>DIAMOND: 6MM DIA./16MM SPACING</p>	<p>SQUARE: 6MM DIA./16MM SPACING</p>	<p>STAGGERED: 6MM DIA./16MM SPACING</p>
 <p>2.0% OPEN AREA</p>	 <p>3.6% OPEN AREA</p>	 <p>3.6% OPEN AREA</p>
<p>DIAMOND: 4MM DIA./16MM SPACING</p>	<p>SQUARE: 4MM DIA./16MM SPACING</p>	<p>STAGGERED: 4MM DIA./16MM SPACING</p>

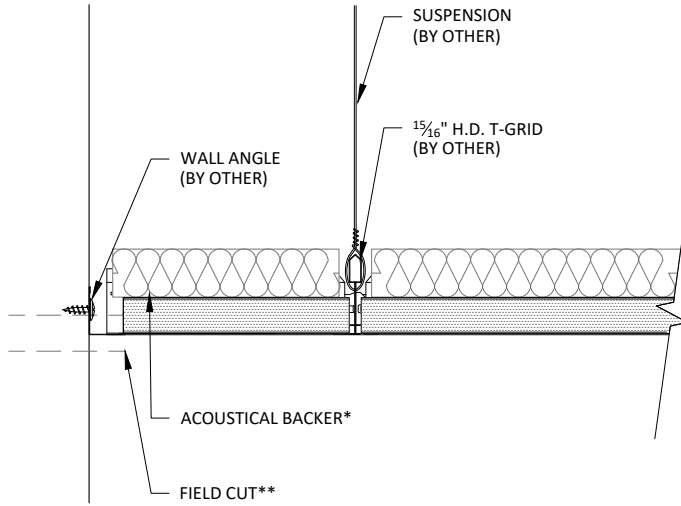
 <p>3.1% OPEN AREA</p>	 <p>6.2% OPEN AREA</p>	 <p>4.6% OPEN AREA</p>
<p>DIAMOND: 8MM DIA./32MM SPACING</p>	<p>SQUARE: 8MM DIA./32MM SPACING</p>	<p>STAGGERED: 8MM DIA./32MM SPACING</p>
 <p>1.8% OPEN AREA</p>	 <p>3.5% OPEN AREA</p>	 <p>2.6% OPEN AREA</p>
<p>DIAMOND: 6MM DIA./32MM SPACING</p>	<p>SQUARE: 6MM DIA./32MM SPACING</p>	<p>STAGGERED: 6MM DIA./32MM SPACING</p>
 <p>0.8% OPEN AREA</p>	 <p>1.6% OPEN AREA</p>	 <p>1.2% OPEN AREA</p>
<p>DIAMOND: 4MM DIA./32MM SPACING</p>	<p>SQUARE: 4MM DIA./32MM SPACING</p>	<p>STAGGERED: 4MM DIA./32MM SPACING</p>



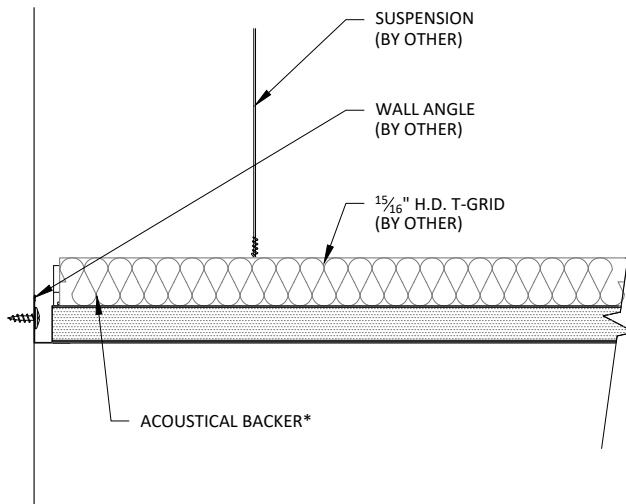
FUSION (LAY-IN PANELS) - ISOMETRIC

* 1" ACOUSTICAL BACKER RECOMMENDED FOR USE WITH PERFORATED PANELS (2" AVAILABLE)

** ALL FIELD CUTS TO ALLOW FOR 1/2" MIN REVEAL FOR EXPANSION & CONTRACTION



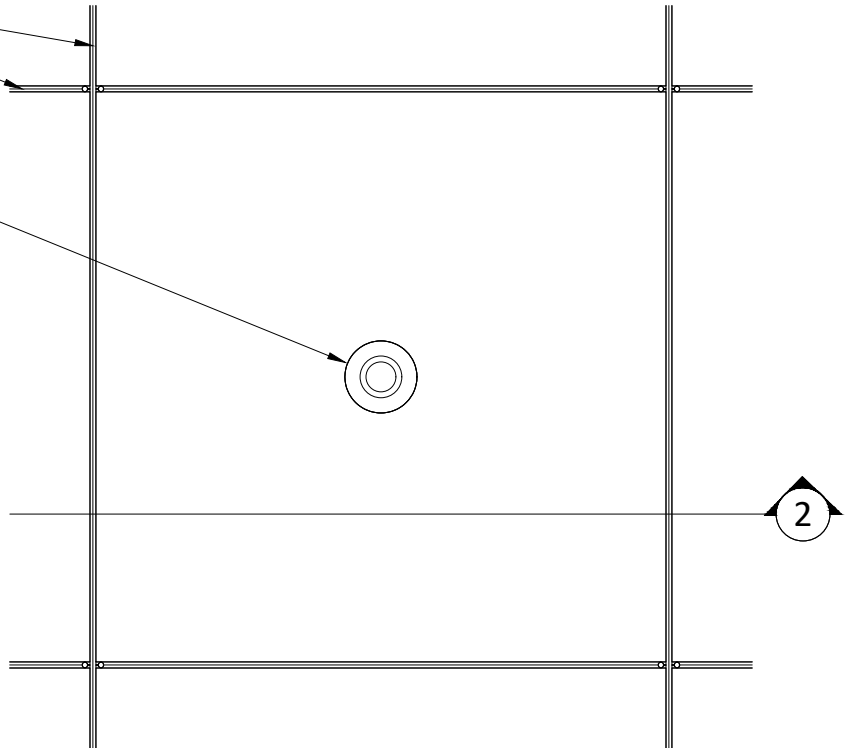
1 EDGE DETAIL 1
3" = 1'-0"



2 EDGE DETAIL 2
3" = 1'-0"

15/16" H.D. T-GRID (BY OTHER)

INDEPENDENTLY SUPPORTED
CUSTOMER FIXTURE (BY OTHER):
FIELD CUT PENETRATION

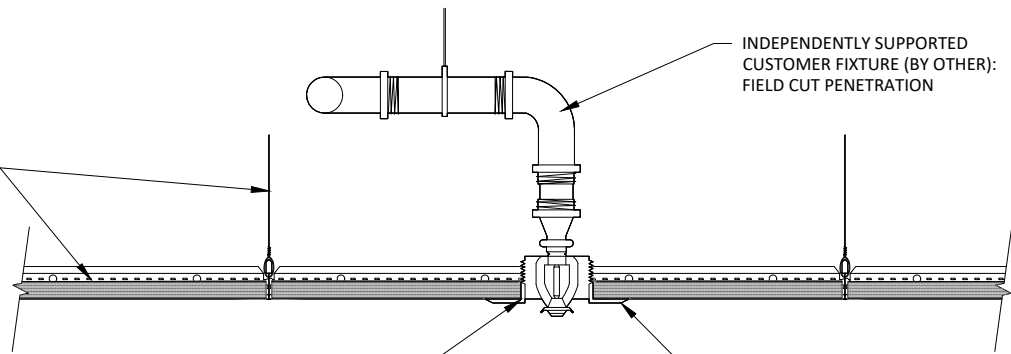


1 SPRINKLER PLAN

1 1/2" = 1'-0"

15/16" H.D. T-GRID (BY OTHER)

INDEPENDENTLY SUPPORTED
CUSTOMER FIXTURE (BY OTHER):
FIELD CUT PENETRATION



FIELD CUT

TRIM RING (BY OTHER)

2 SPRINKLER SECTION

1 1/2" = 1'-0"



FUSION (LAY-IN PANELS) - SPRINKLER HEAD DETAIL

SCALE: AS NOTED

LAST REVISED: 1/21/2025

SHEET NUMBER

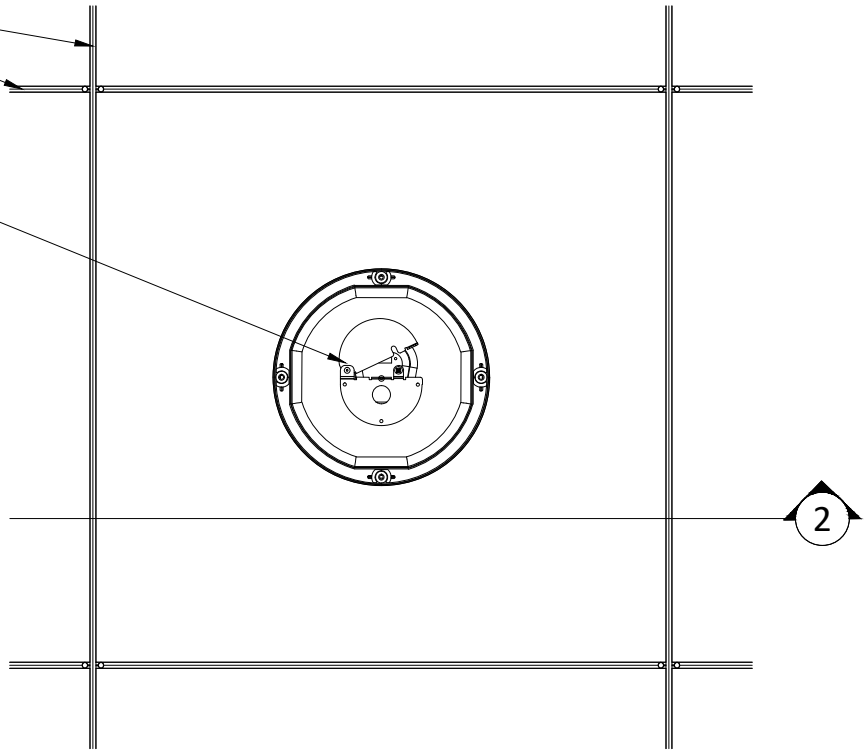
6

DRAWN BY: BH

DO NOT SCALE DRAWING. FIGURED DIMENSIONS ARE TO BE FOLLOWED. READ THIS DRAWING IN CONNECTION WITH GENERAL ARCHITECTURAL PLANS, STRUCTURAL PLANS, AND OTHER RELATED DRAWINGS. THESE DRAWINGS REPRESENT ASI'S UNDERSTANDING AND INTERPRETATION OF THE ARCHITECTURAL DRAWINGS AND HOW ASI PRODUCTS RELATE TO THE PROJECT. COPYRIGHT ASI © 2025

$\frac{15}{16}$ " H.D. T-GRID (BY OTHER)

INDEPENDENTLY SUPPORTED
CUSTOMER FIXTURE (BY OTHER):
FIELD CUT PENETRATION

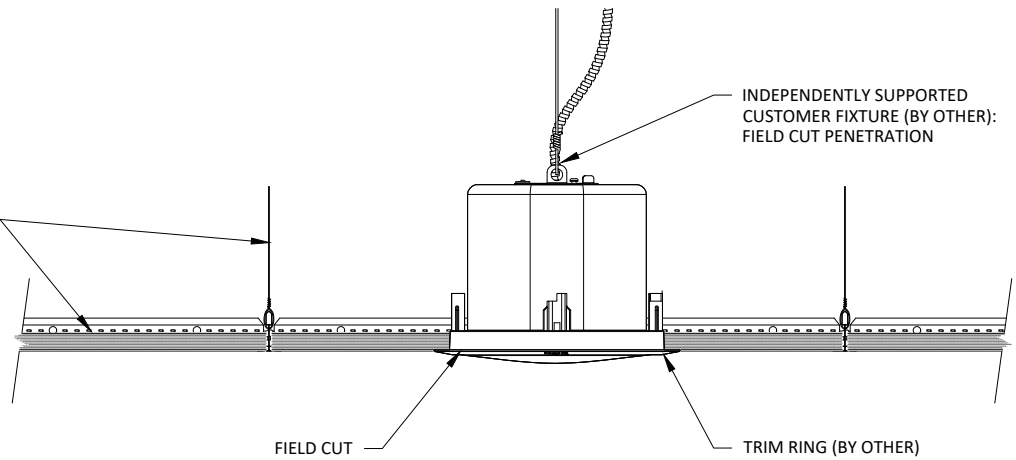


1 CAN LIGHT PLAN

1 1/2" = 1'-0"

$\frac{15}{16}$ " H.D. T-GRID (BY OTHER)

INDEPENDENTLY SUPPORTED
CUSTOMER FIXTURE (BY OTHER):
FIELD CUT PENETRATION



2 CAN LIGHT SECTION

1 1/2" = 1'-0"



123 Columbia Court North, Chaska,
Minnesota 55318 P. 800.527.6253

**FUSION (LAY-IN PANELS) - CAN LIGHT
DETAIL**

SCALE: AS NOTED

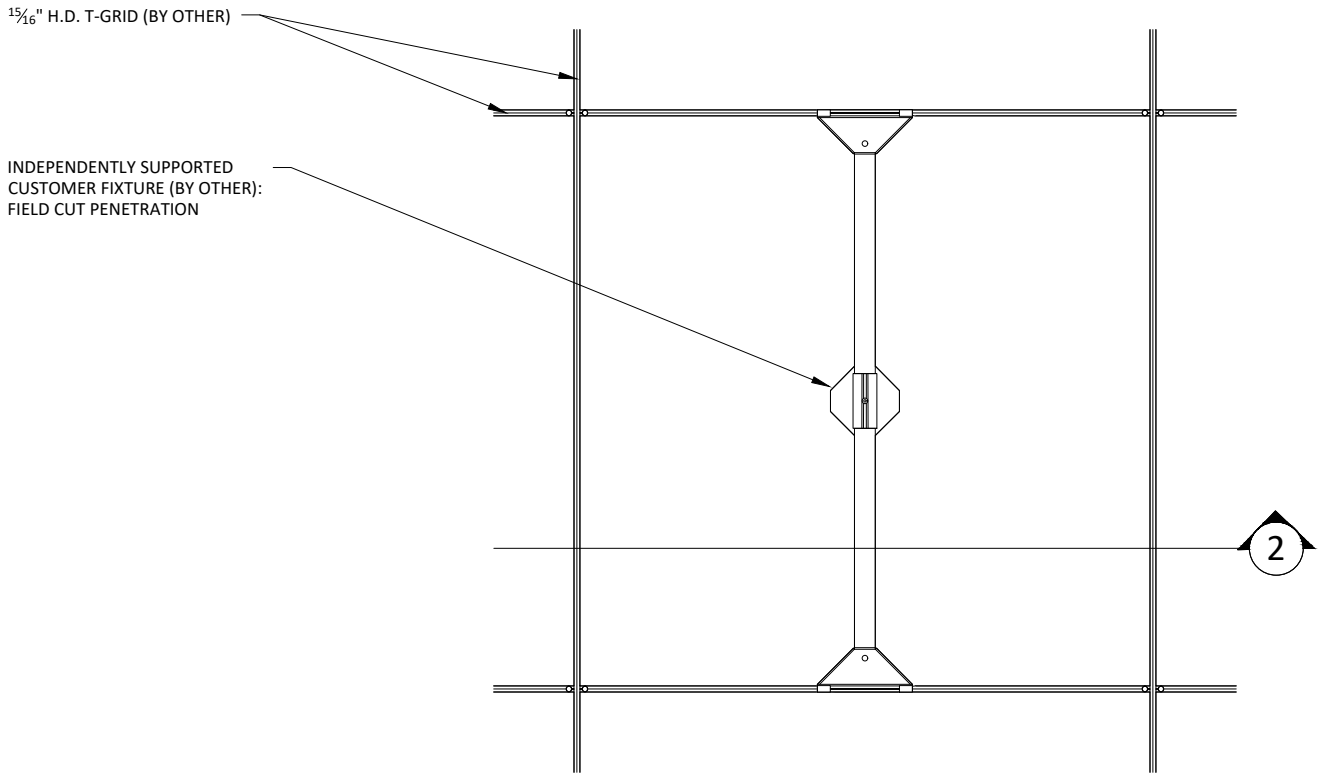
LAST REVISED: 1/21/2025

DO NOT SCALE DRAWING. FIGURED DIMENSIONS ARE TO BE FOLLOWED. READ THIS DRAWING IN CONNECTION WITH GENERAL ARCHITECTURAL PLANS, STRUCTURAL PLANS, AND OTHER RELATED DRAWINGS. THESE DRAWINGS REPRESENT ASI'S UNDERSTANDING AND INTERPRETATION OF THE ARCHITECTURAL DRAWINGS AND HOW ASI PRODUCTS RELATE TO THE PROJECT. COPYRIGHT ASI © 2025

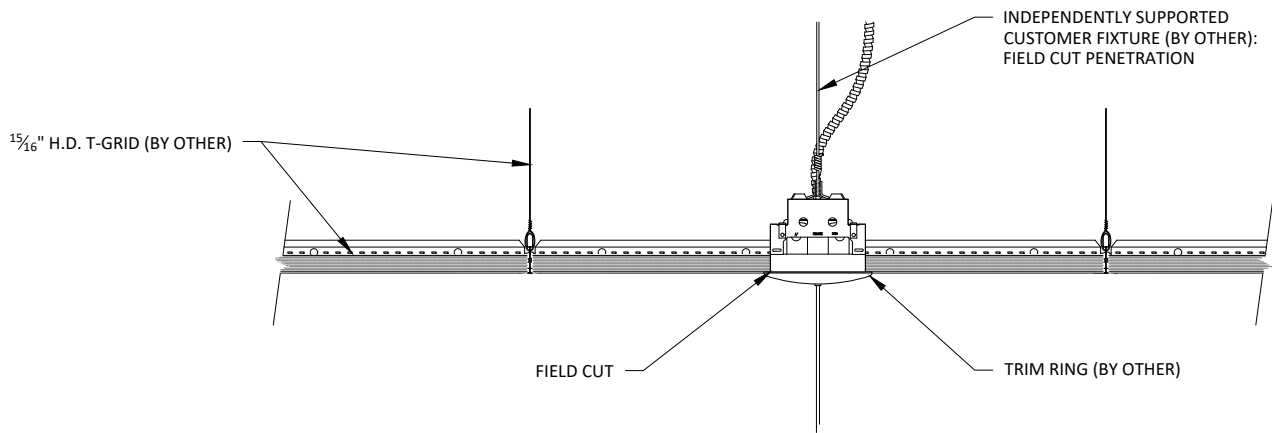
SHEET NUMBER

7

DRAWN BY: BH



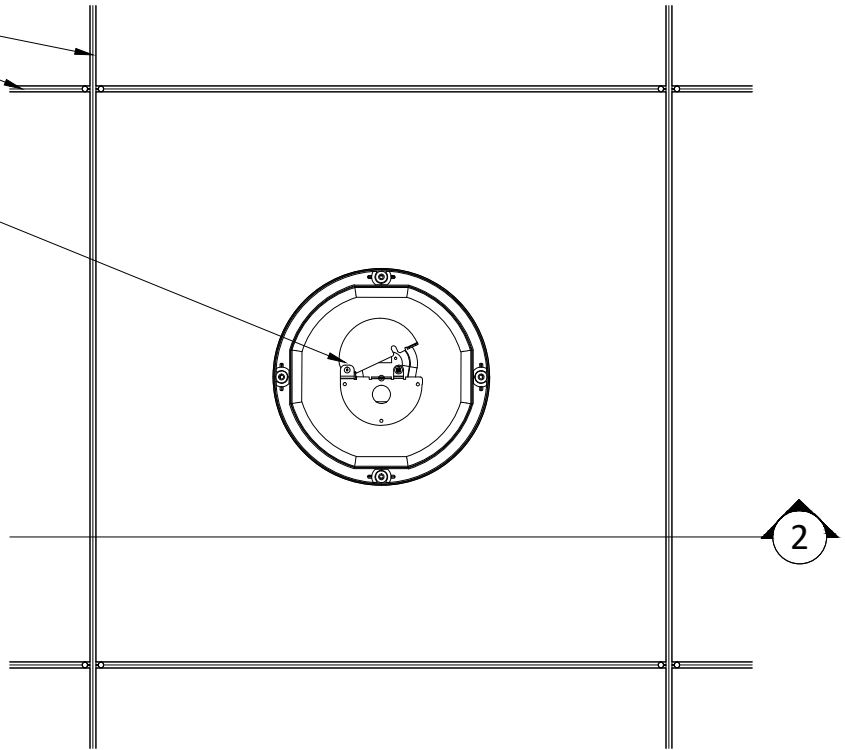
1 PENDANT LIGHT PLAN
1 1/2" = 1'-0"



2 PENDANT LIGHT SECTION
1 1/2" = 1'-0"

15/16" H.D. T-GRID (BY OTHER)

INDEPENDENTLY SUPPORTED
CUSTOMER FIXTURE (BY OTHER):
FIELD CUT PENETRATION

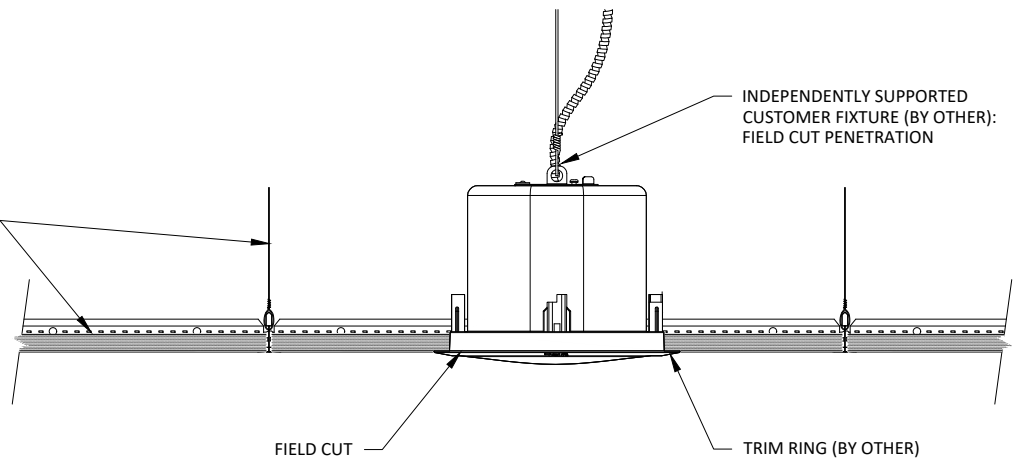


1 RECESSED SPEAKER PLAN

1 1/2" = 1'-0"

15/16" H.D. T-GRID (BY OTHER)

INDEPENDENTLY SUPPORTED
CUSTOMER FIXTURE (BY OTHER):
FIELD CUT PENETRATION



2 RECESSED SPEAKER SECTION

1 1/2" = 1'-0"



123 Columbia Court North, Chaska,
Minnesota 55318 P. 800.527.6253

FUSION (LAY-IN PANELS) - RECESSED
SPEAKER DETAIL

SCALE: AS NOTED

LAST REVISED: 1/21/2025

DO NOT SCALE DRAWING. FIGURED DIMENSIONS ARE TO BE FOLLOWED. READ THIS DRAWING IN CONNECTION WITH GENERAL ARCHITECTURAL PLANS, STRUCTURAL PLANS, AND OTHER RELATED DRAWINGS. THESE DRAWINGS REPRESENT ASI'S UNDERSTANDING AND INTERPRETATION OF THE ARCHITECTURAL DRAWINGS AND HOW ASI PRODUCTS RELATE TO THE PROJECT. COPYRIGHT ASI © 2025

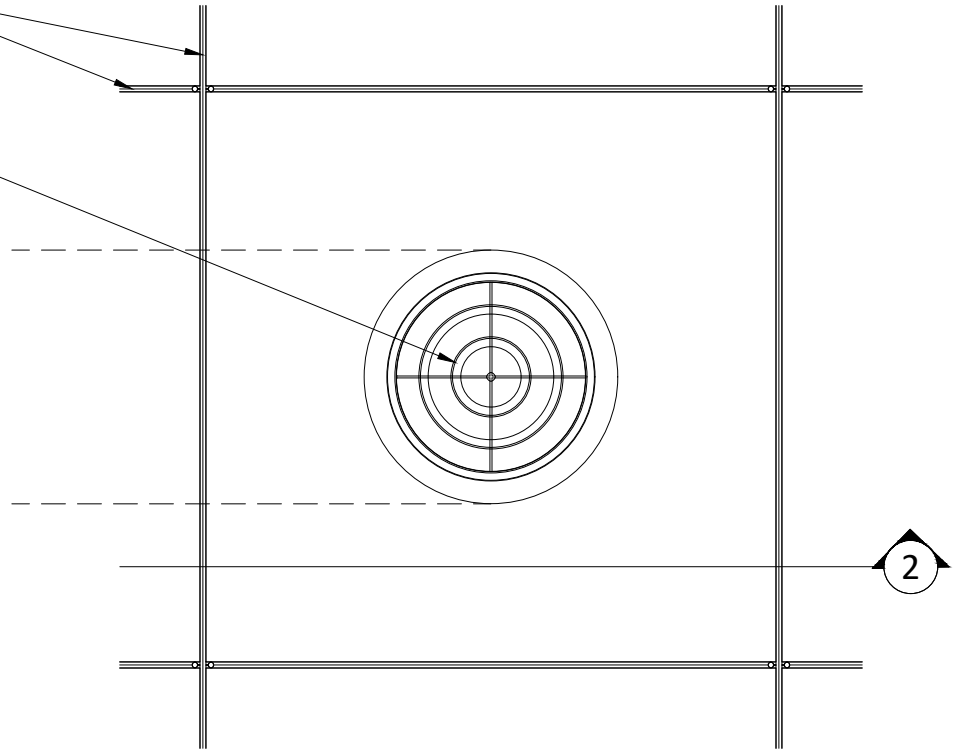
SHEET NUMBER

9

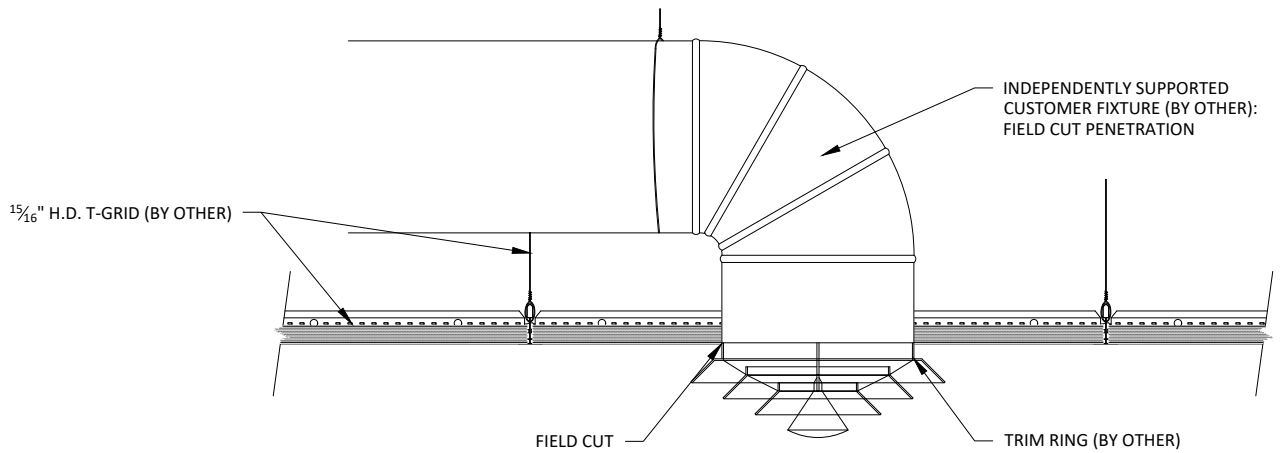
DRAWN BY: BH

$1\frac{5}{16}$ " H.D. T-GRID (BY OTHER)

INDEPENDENTLY SUPPORTED
CUSTOMER FIXTURE (BY OTHER):
FIELD CUT PENETRATION



1 DIFFUSER PLAN
1 1/2" = 1'-0"



2 DIFFUSER SECTION
1 1/2" = 1'-0"