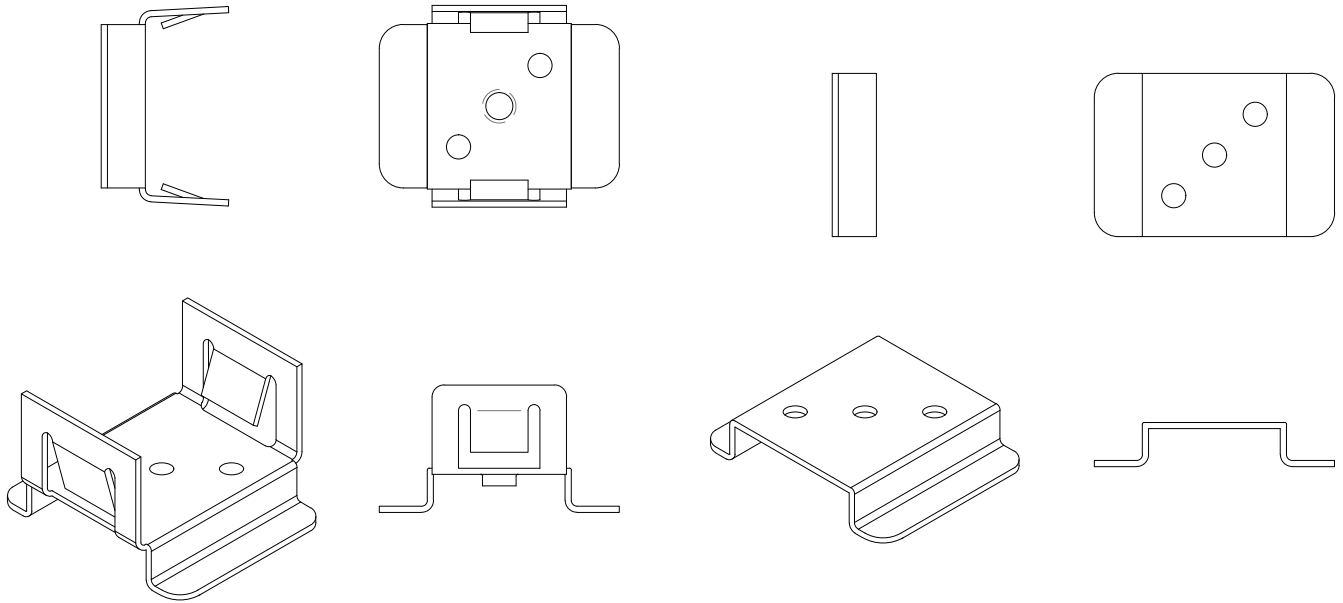
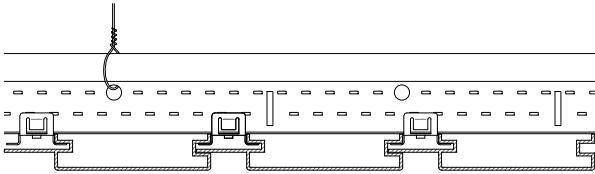


1 TYPICAL LINEAR SECTION DETAIL  
 1 SCALE: 6"=1'-0"

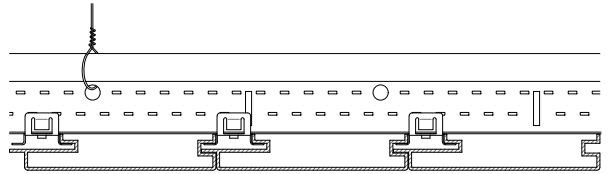


2 LINEAR T-GRID CLIP  
 1 SCALE: ViewportScale

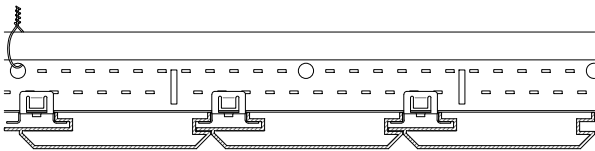
3 LINEAR DIRECT ATTACH CLIP  
 1 SCALE: ViewportScale



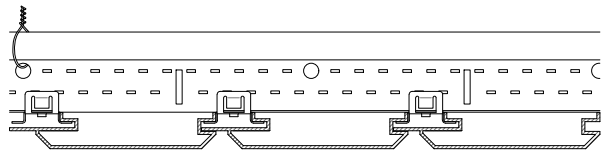
FLAT REVEAL JOINT OPTION  
STANDARD MODULE SIZE: 4"



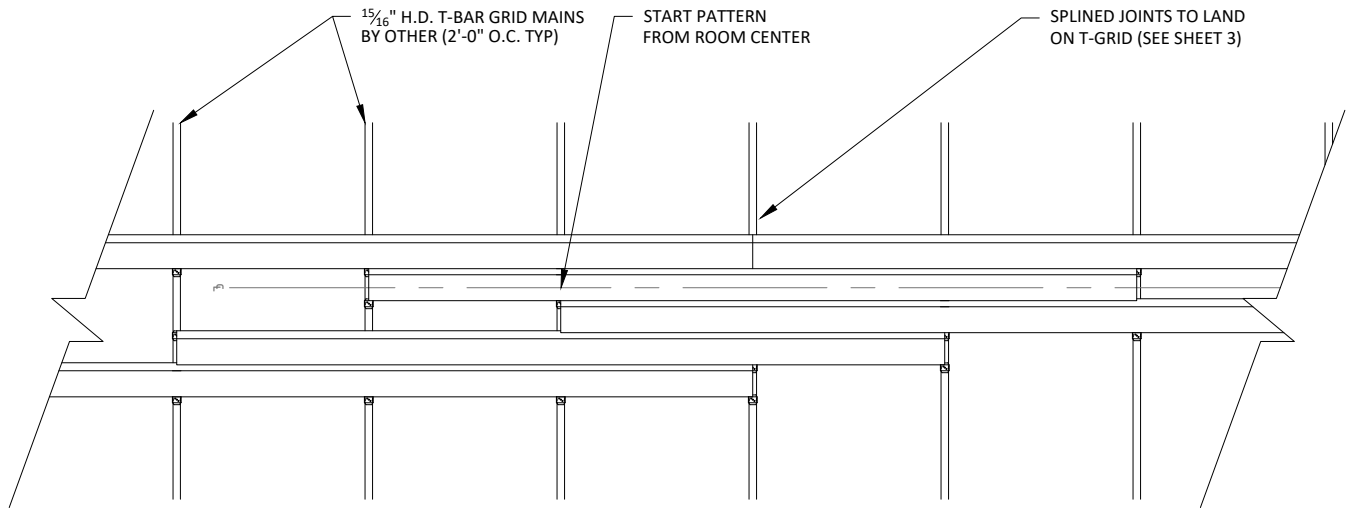
BUTT JOINT OPTION  
STANDARD MODULE SIZE: 4"



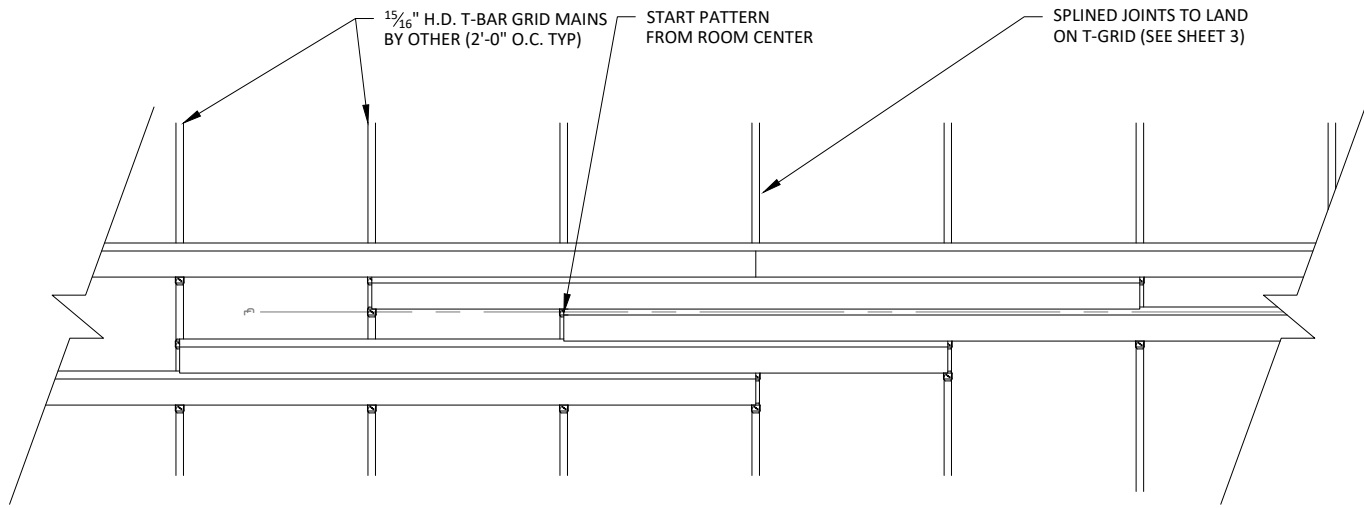
V-GROOVE JOINT OPTION  
STANDARD MODULE SIZE: 4"



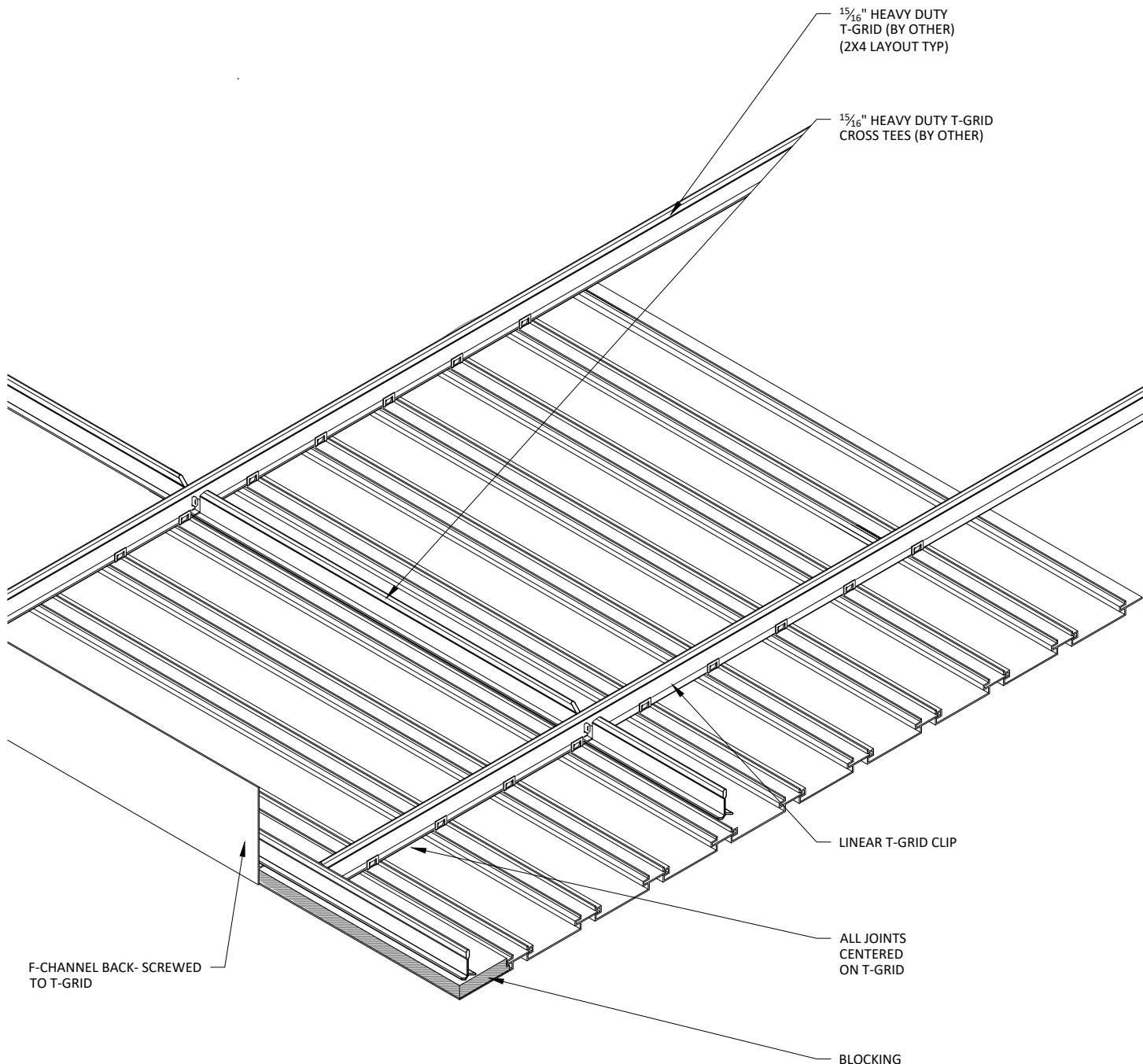
FLAT V-GROOVE JOINT OPTION  
STANDARD MODULE SIZE: 4"



1 TYPICAL PATTERN RCP (OPTION 1 - CENTERED ON PLANK)  
 2 SCALE: 1/2"=1'-0"



2 TYPICAL PATTERN RCP (OPTION 2 - CENTERED ON REVEAL)  
 2 SCALE: 1/2"=1'-0"



1 ISOMETRIC VIEW - TYP.  
3 SCALE: 1 1/2"=1'-0"



LINEARALUMILINE CEILING SYSTEM - ISOMETRIC

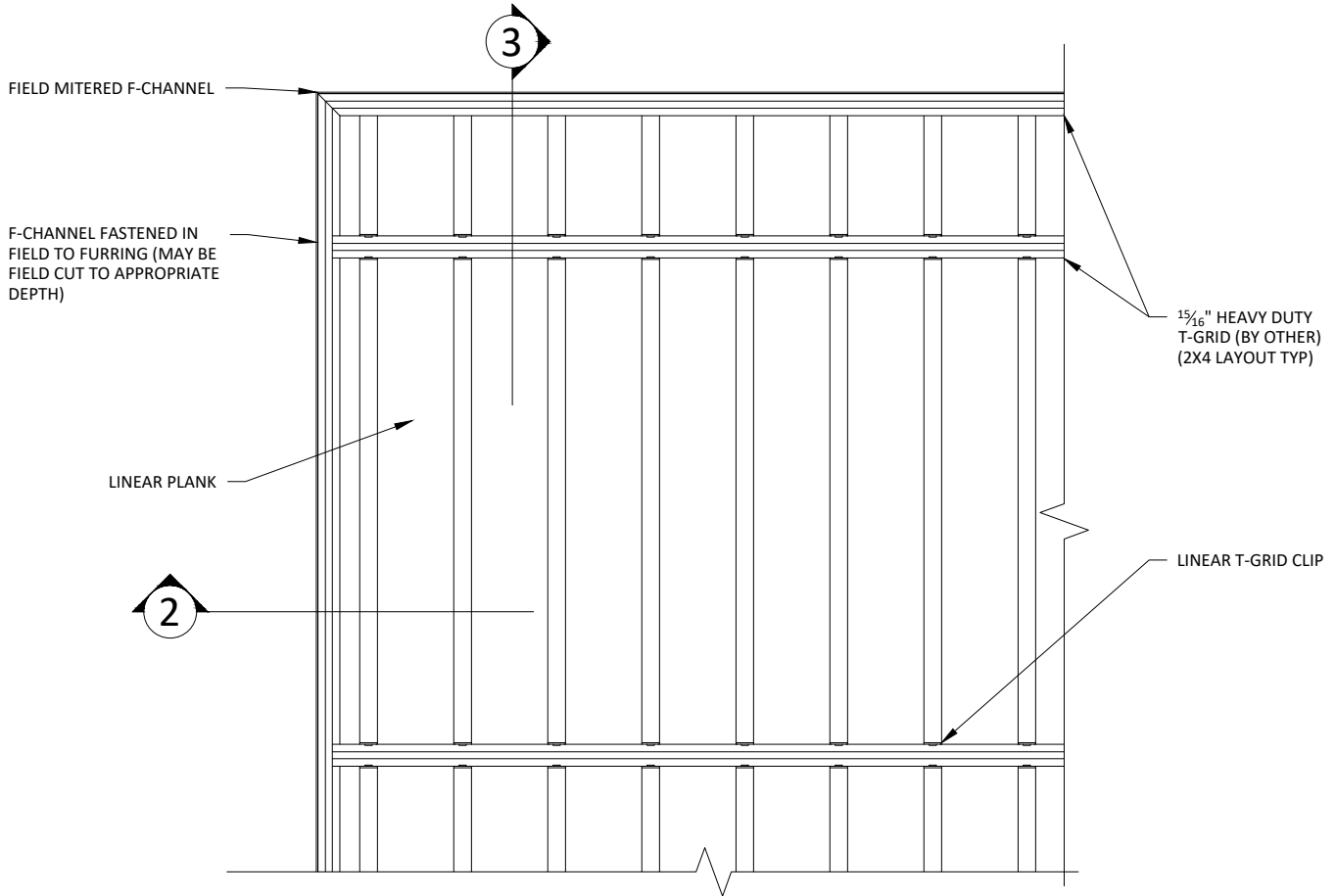
SHEET NUMBER  
**4**

SCALE: AS NOTED

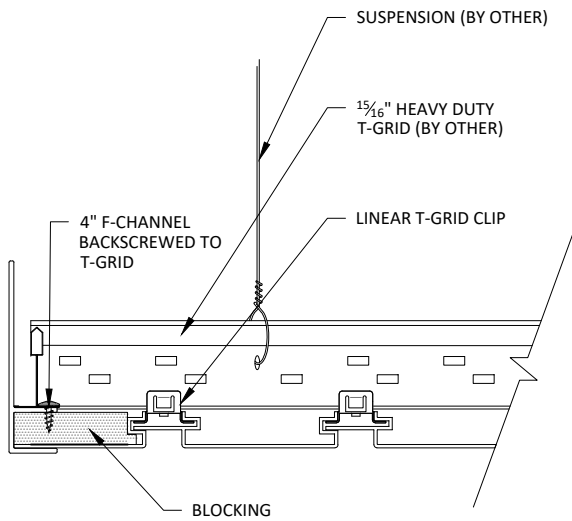
LAST REVISED: 10/25/2024

DRAWN BY: BS

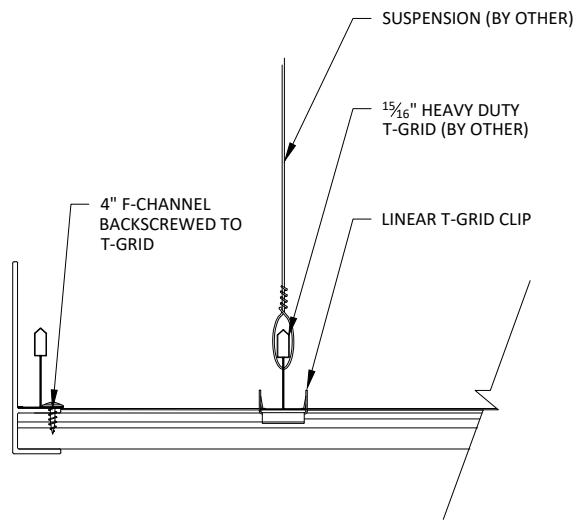
DO NOT SCALE DRAWING. FIGURED DIMENSIONS ARE TO BE FOLLOWED. READ THIS DRAWING IN CONNECTION WITH GENERAL ARCHITECTURAL PLANS, STRUCTURAL PLANS, AND OTHER RELATED DRAWINGS. THESE DRAWINGS REPRESENT ASI'S UNDERSTANDING AND INTERPRETATION OF THE ARCHITECTURAL DRAWINGS AND HOW ASI PRODUCTS RELATE TO THE PROJECT. COPYRIGHT ASI © 2024



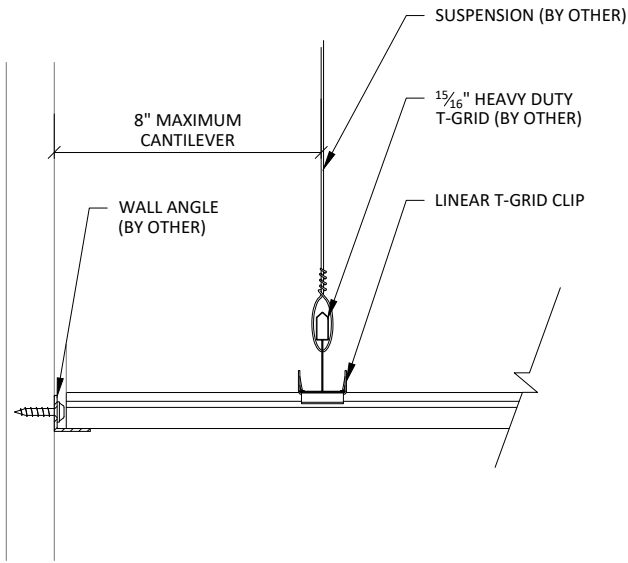
**1** TRIM @ MITERED CORNER - PLAN  
**4** SCALE: 1 1/2"=1'-0"



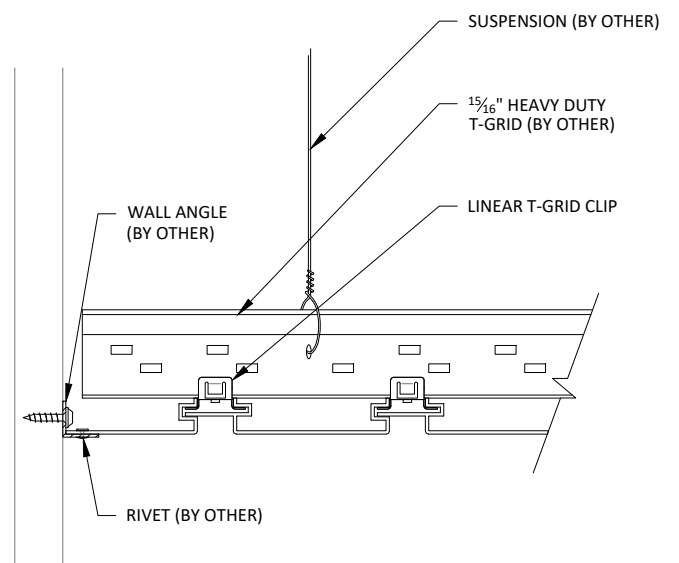
**2** TRIM DETAIL 1  
**4** SCALE: 3"=1'-0"



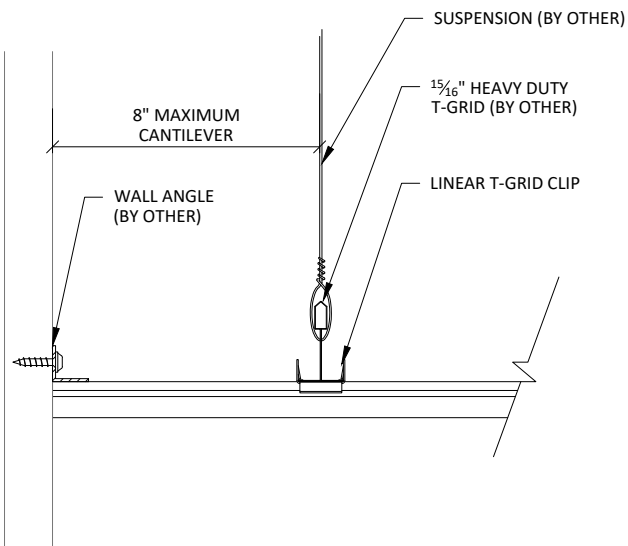
**3** TRIM DETAIL 2  
**4** SCALE: 3"=1'-0"



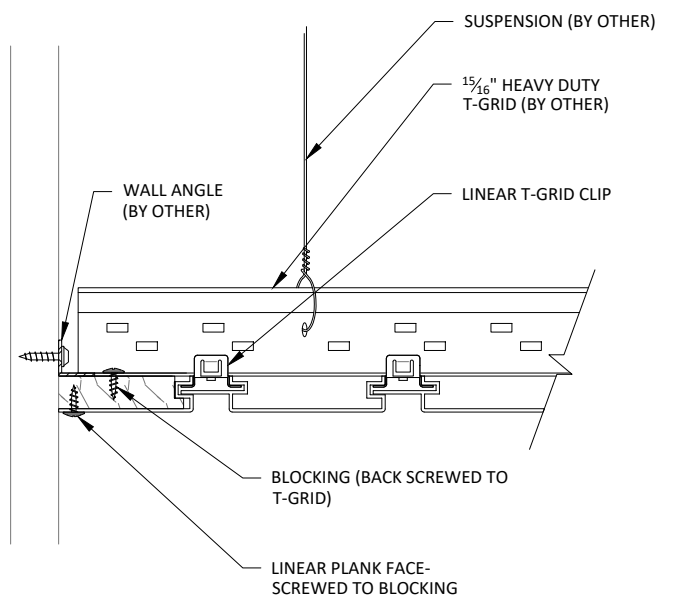
**1** WALL ANGLE UNDERMOUNT DETAIL 1  
 5 SCALE: 3"=1'-0"



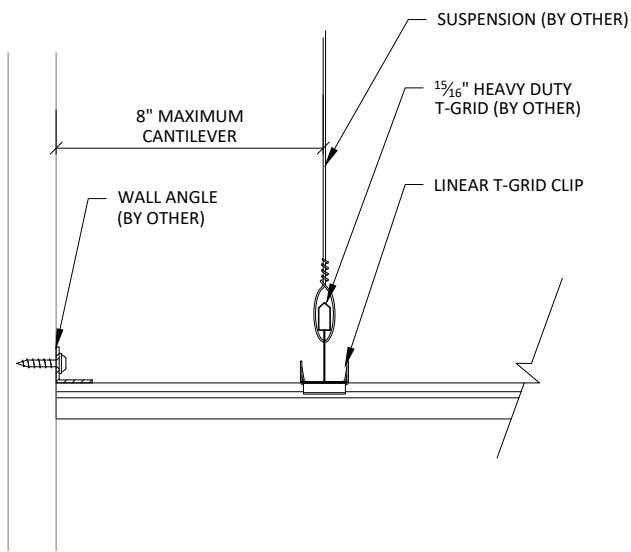
**2** WALL ANGLE UNDERMOUNT DETAIL 2  
 5 SCALE: 3"=1'-0"



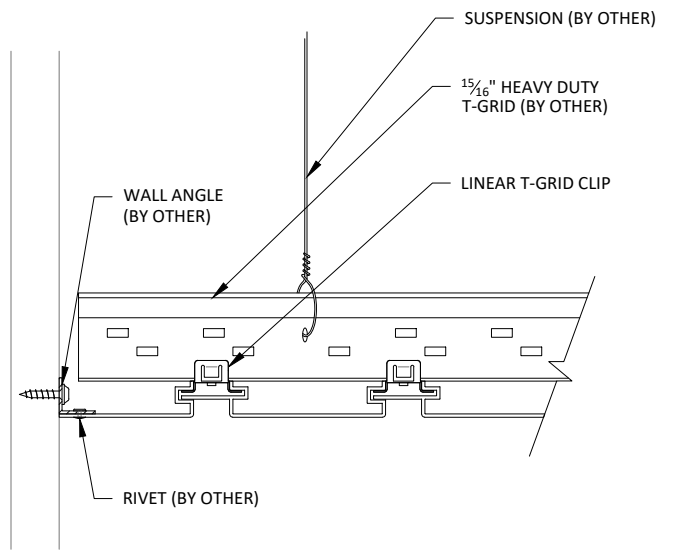
**3** WALL ANGLE @ GRID DETAIL 1  
 5 SCALE: 3"=1'-0"



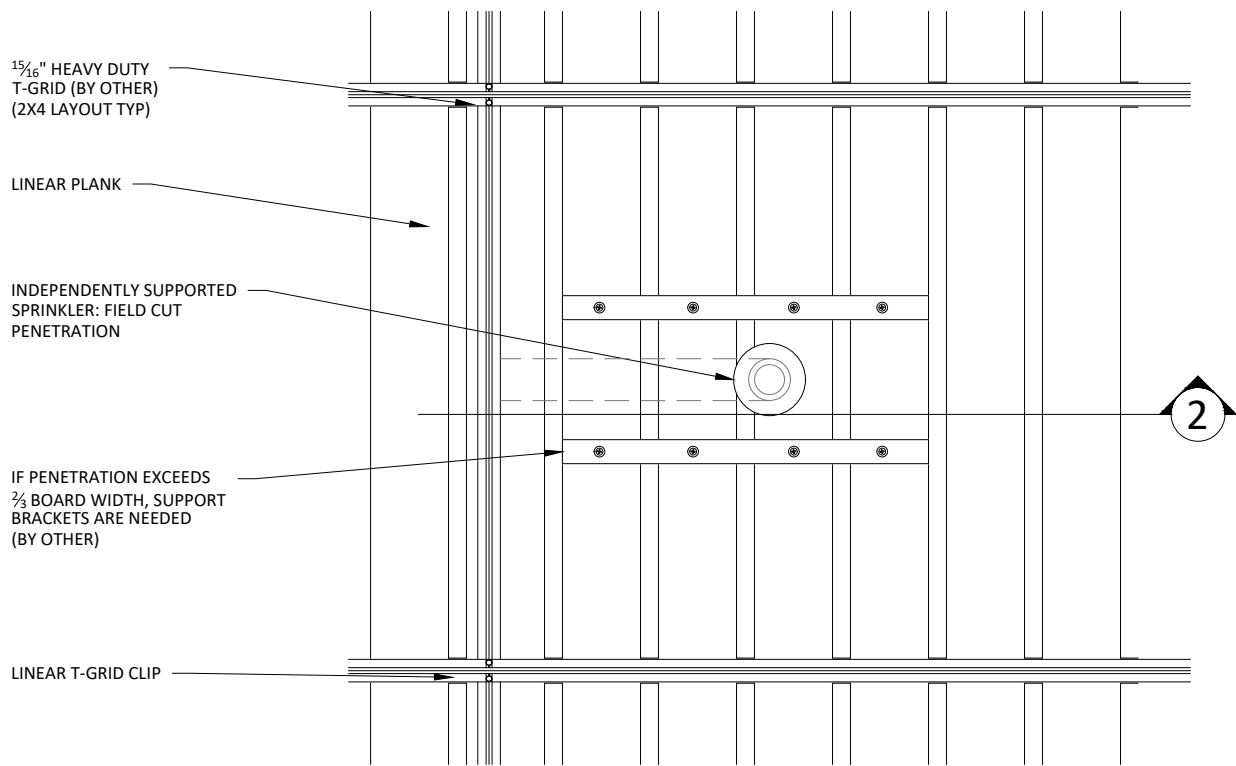
**4** WALL ANGLE @ GRID DETAIL 2  
 5 SCALE: 3"=1'-0"



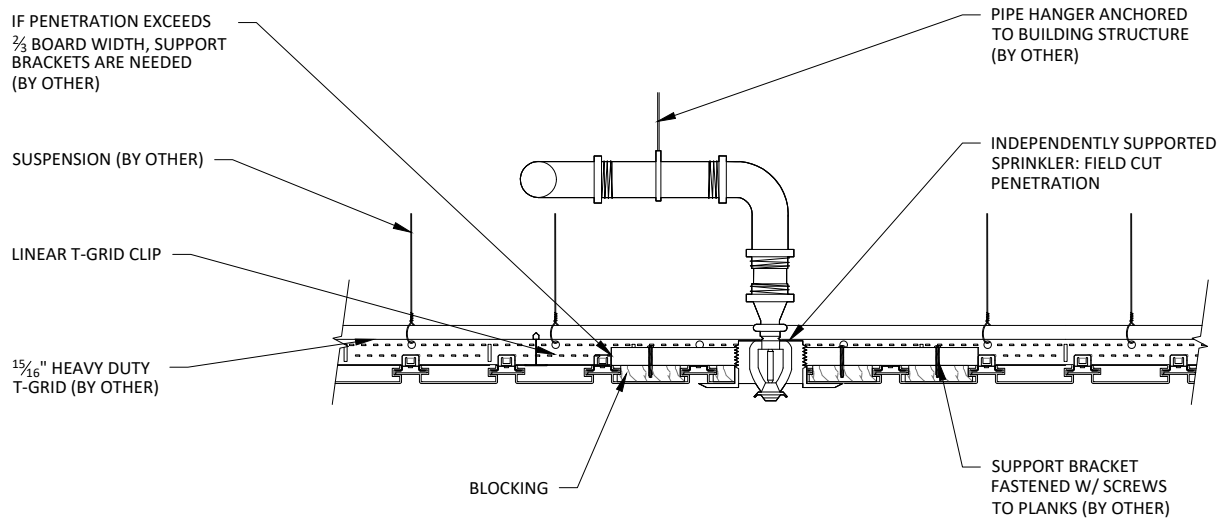
1 WALL ANGLE - NO BLOCKING (SIDE)  
6 SCALE: 3"=1'-0"



2 WALL ANGLE - NO BLOCKING (FRONT)  
6 SCALE: 3"=1'-0"

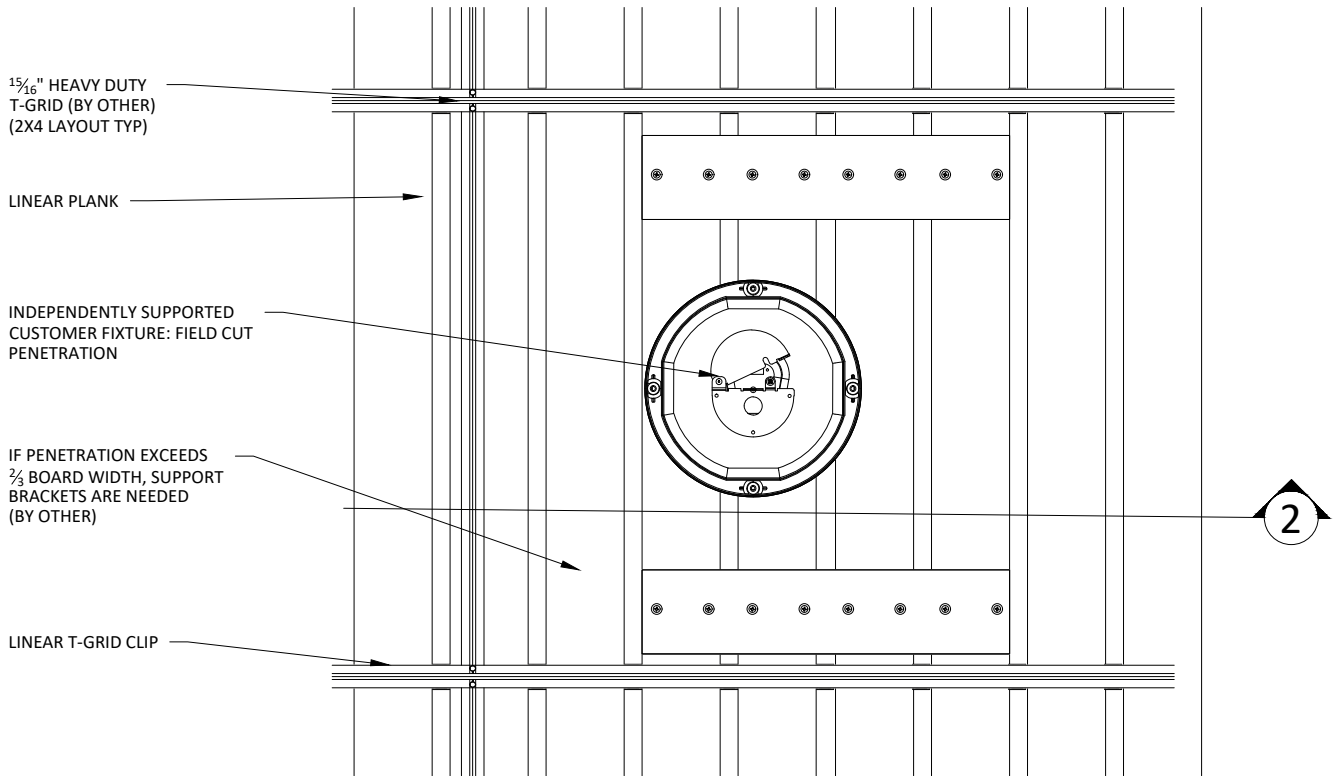


**1** SPRINKLER HEAD DETAIL - PLAN VIEW  
 7 SCALE: 1 1/2"=1'-0"

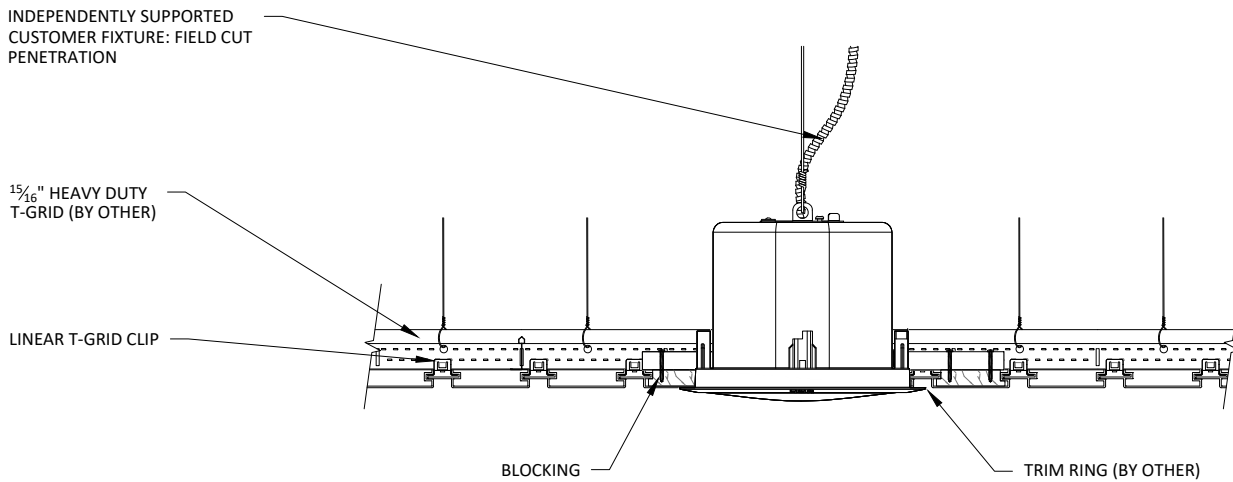


**2** SPRINKLER HEAD DETAIL - SECTION VIEW  
 7 SCALE: 1 1/2"=1'-0"





1  
8 CAN LIGHT DETAIL - PLAN VIEW  
SCALE: 1 1/2"=1'-0"



2  
8 CAN LIGHT DETAIL - SECTION VIEW  
SCALE: 1 1/2"=1'-0"

15/16" HEAVY DUTY  
T-GRID (BY OTHER)  
(2X4 LAYOUT TYP)

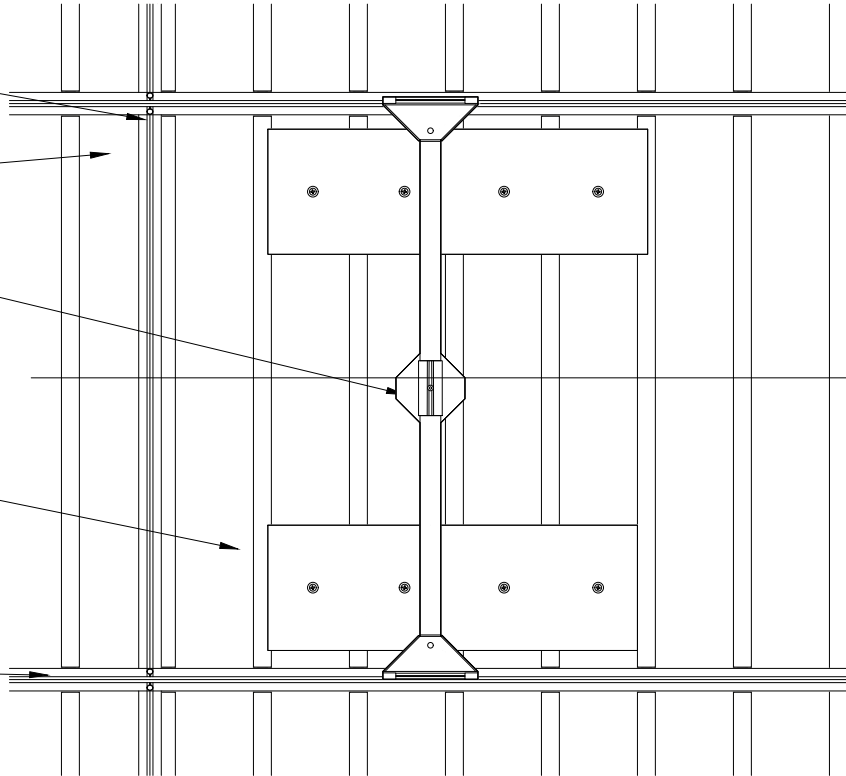
LINEAR PLANK

INDEPENDENTLY SUPPORTED  
CUSTOMER FIXTURE: FIELD CUT  
PENETRATION

IF PENETRATION EXCEEDS  
2/3 BOARD WIDTH, SUPPORT  
BRACKETS ARE NEEDED  
(BY OTHER)

LINEAR T-GRID CLIP

2



1 PENDANT LIGHT DETAIL - PLAN VIEW  
9 SCALE: 1 1/2"=1'-0"

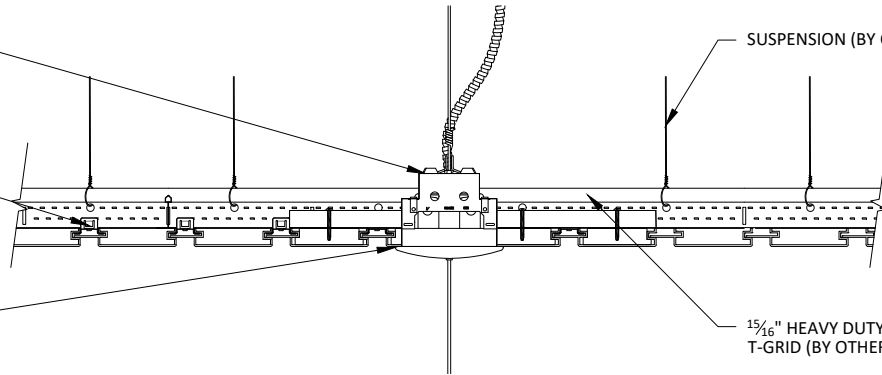
INDEPENDENTLY SUPPORTED  
CUSTOMER FIXTURE: FIELD CUT  
PENETRATION

LINEAR T-GRID CLIP

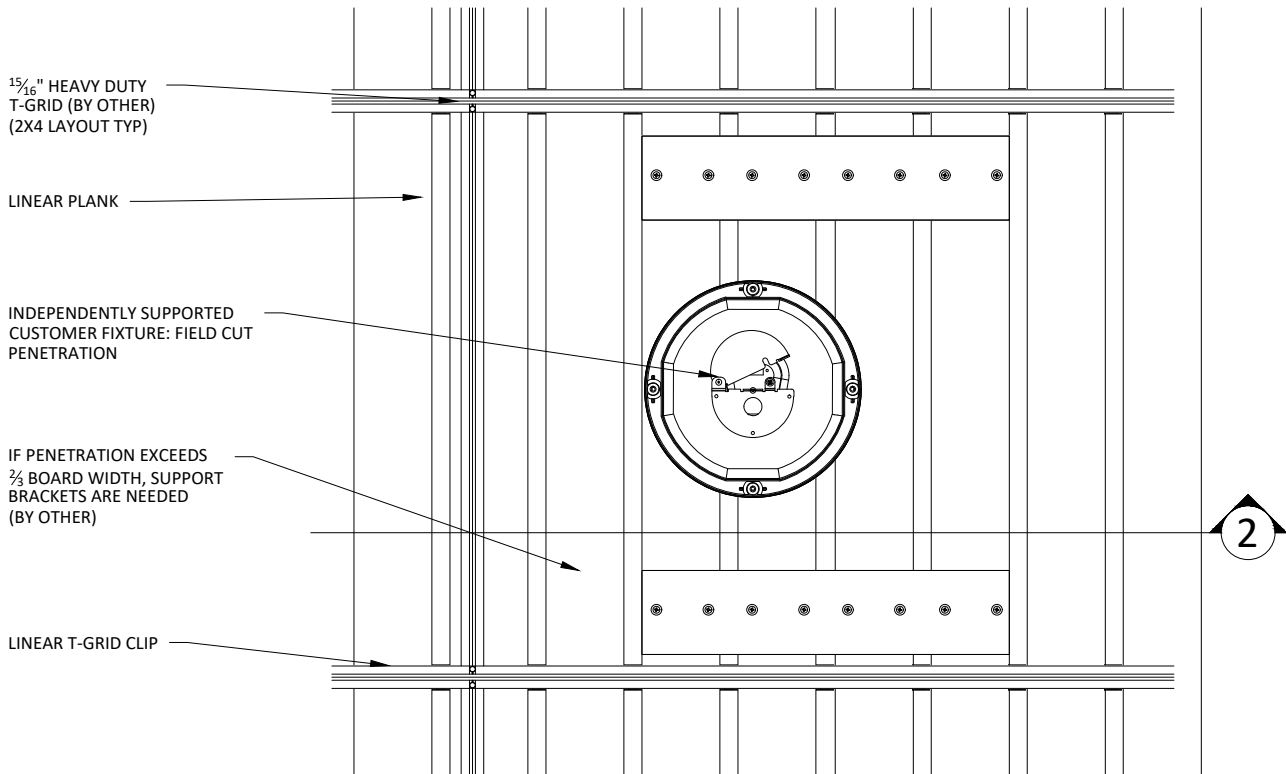
TRIM PLATE (BY OTHER)

SUSPENSION (BY OTHER)

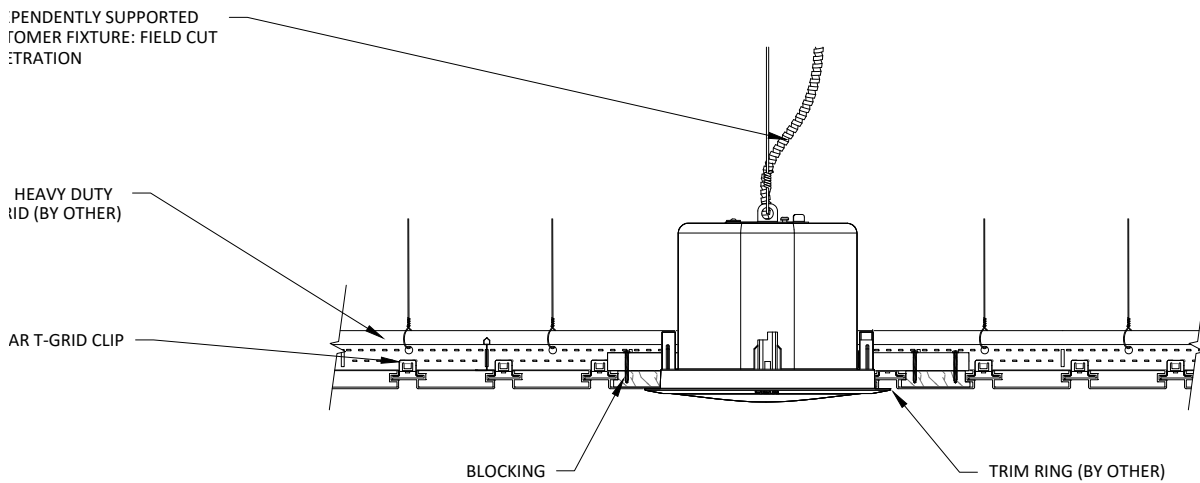
15/16" HEAVY DUTY  
T-GRID (BY OTHER)



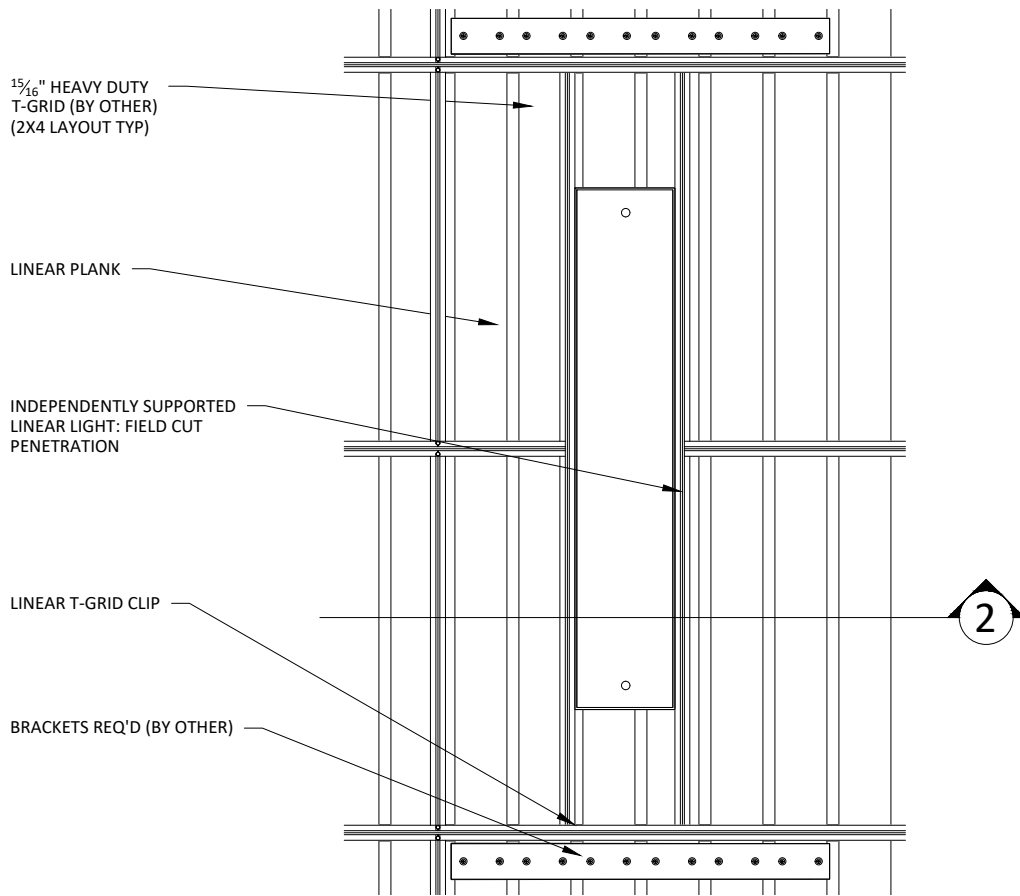
2 PENDANT LIGHT DETAIL - SECTION VIEW  
9 SCALE: 1 1/2"=1'-0"



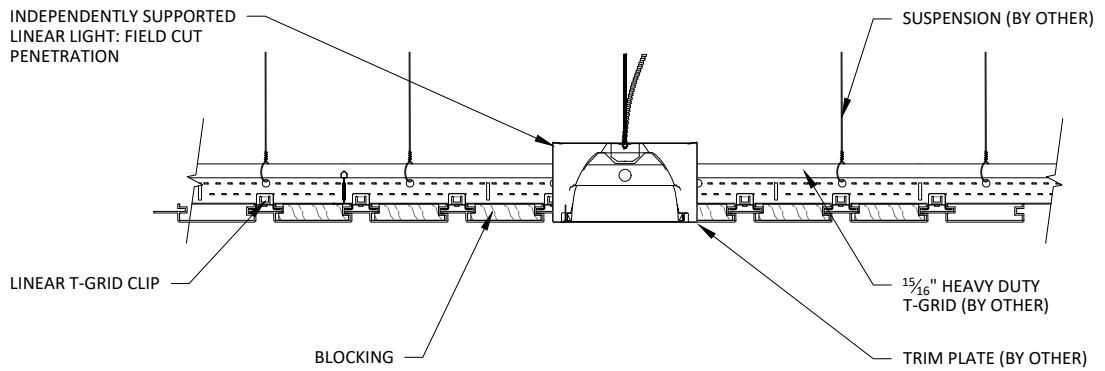
1 RECESSED SPEAKER DETAIL - PLAN VIEW  
10 SCALE: 1 1/2"=1'-0"



2 RECESSED DETAIL - SECTION VIEW  
10 SCALE: 1 1/2"=1'-0"



**1**  
11 **LINEAR LIGHT DETAIL - PLAN VIEW**  
SCALE: 1"=1'-0"



**2**  
11 **LINEAR LIGHT DETAIL - SECTION VIEW**  
SCALE: 1 1/2"=1'-0"

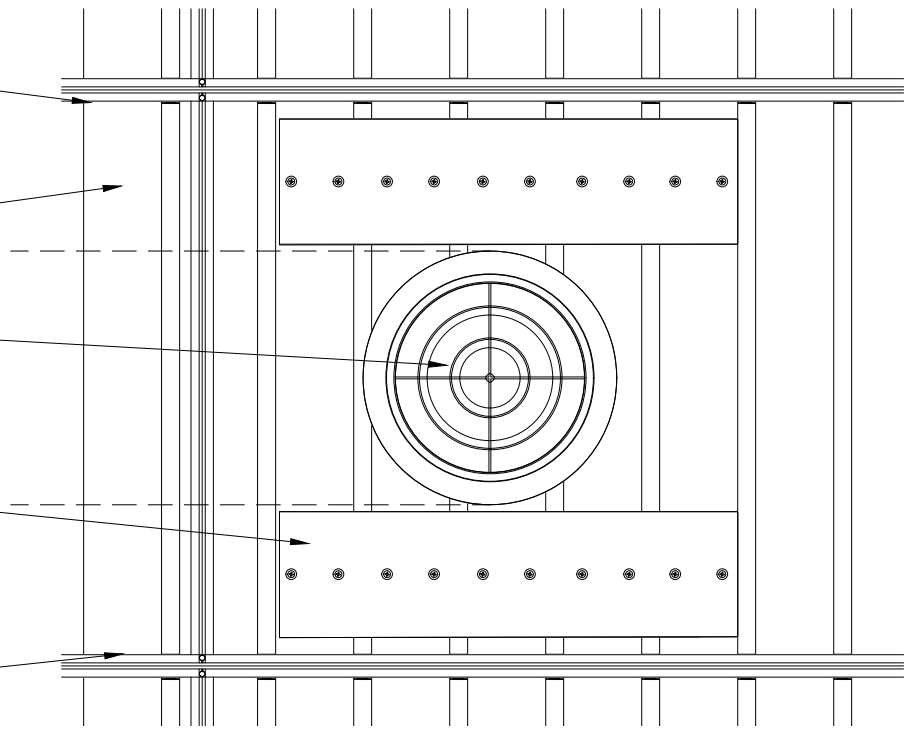
15/16" HEAVY DUTY  
T-GRID (BY OTHER)  
(2X4 LAYOUT TYP)

LINEAR PLANK

INDEPENDENTLY  
SUPPORTED DIFFUSER:  
FIELD CUT PENETRATION

IF PENETRATION EXCEEDS 2/3  
BOARD WIDTH, SUPPORT  
BRACKETS ARE NEEDED (BY  
OTHER)

LINEAR T-GRID CLIP



1  
12 LINEAR DIFFUSER DETAIL - PLAN VIEW

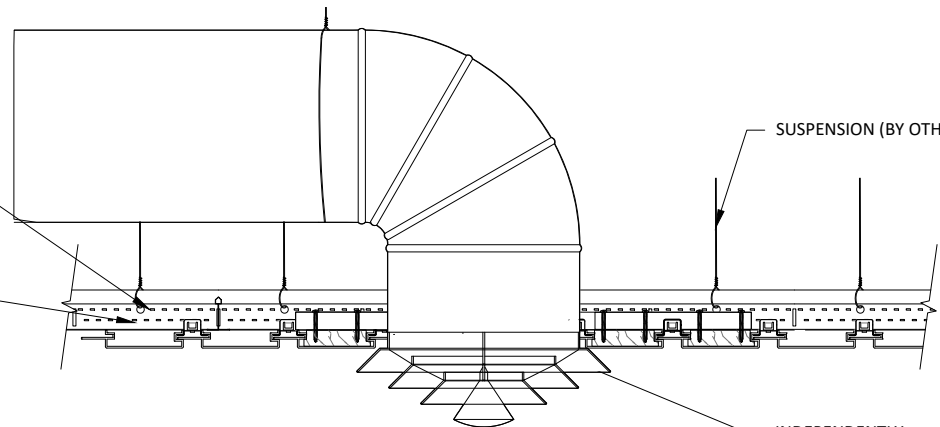
SCALE: 1 1/2"=1'-0"

15/16" HEAVY DUTY  
T-GRID (BY OTHER)

LINEAR T-GRID CLIP

SUSPENSION (BY OTHER)

INDEPENDENTLY  
SUPPORTED DIFFUSER:  
FIELD CUT PENETRATION



2  
12 LINEAR DIFFUSER DETAIL - SECTION VIEW

SCALE: 1 1/2"=1'-0"



123 Columbia Court North, Chaska,  
Minnesota 55318 P. 800.527.6253

LINEAR ALUMILINE CEILING SYSTEM - DIFFUSER DETAIL

SHEET NUMBER

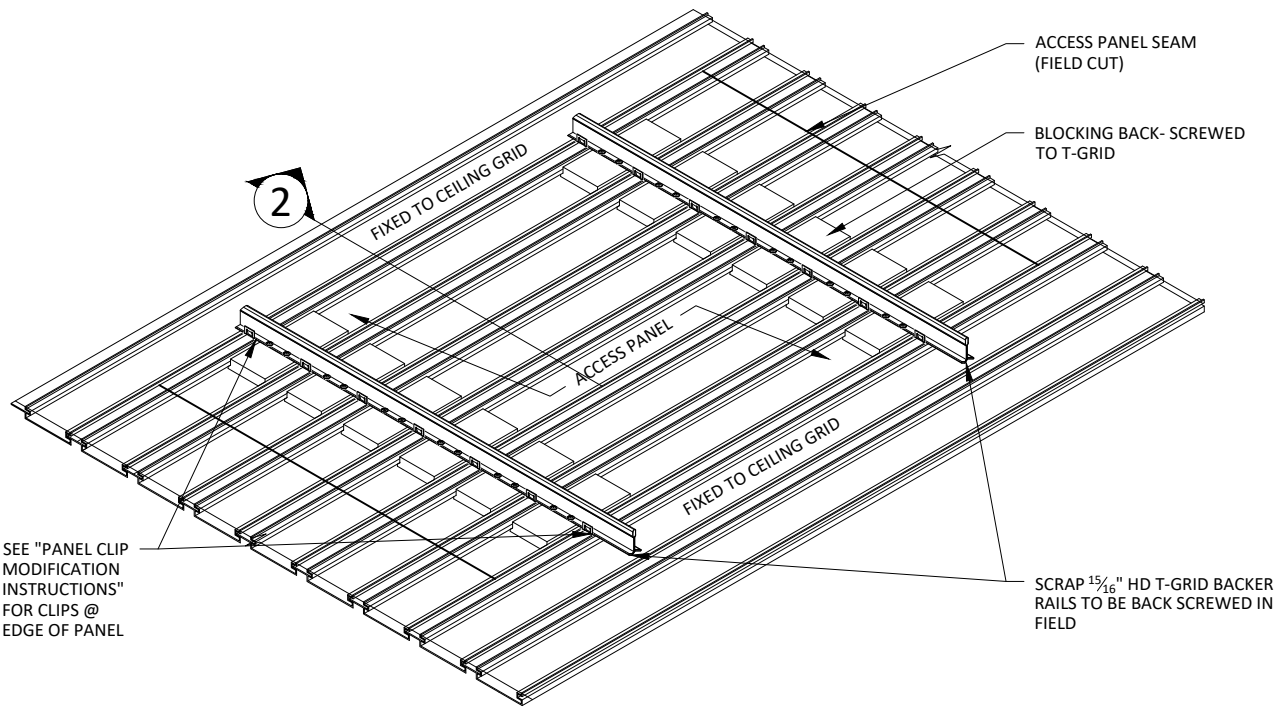
13

SCALE: AS NOTED

LAST REVISED: 10/25/2024

DRAWN BY: BS

DO NOT SCALE DRAWING. FIGURED DIMENSIONS ARE TO BE FOLLOWED. READ THIS DRAWING IN CONNECTION WITH GENERAL ARCHITECTURAL PLANS, STRUCTURAL PLANS, AND OTHER RELATED DRAWINGS. THESE DRAWINGS REPRESENT ASI'S UNDERSTANDING AND INTERPRETATION OF THE ARCHITECTURAL DRAWINGS AND HOW ASI PRODUCTS RELATE TO THE PROJECT. COPYRIGHT ASI © 2024

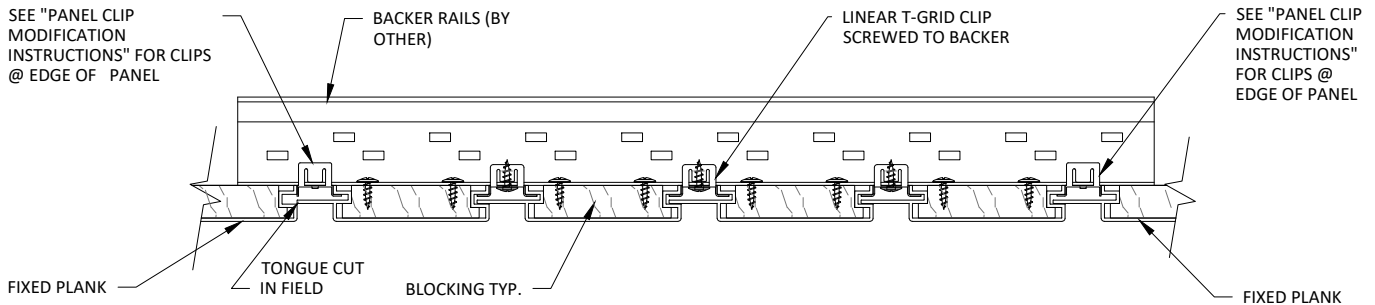


SEE "PANEL CLIP MODIFICATION INSTRUCTIONS" FOR CLIPS @ EDGE OF PANEL

SCRAP  $\frac{15}{16}$ " HD T-GRID BACKER RAILS TO BE BACK SCREWED IN FIELD

**1** ACCESS PANEL DETAIL  
**13** SCALE: 1"=1'-0"

SEE "PANEL CLIP MODIFICATION INSTRUCTIONS" FOR CLIPS @ EDGE OF PANEL



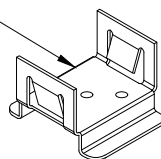
SEE "PANEL CLIP MODIFICATION INSTRUCTIONS" FOR CLIPS @ EDGE OF PANEL

**2** ACCESS PANEL SECTION  
**13** SCALE: 3"=1'-0"

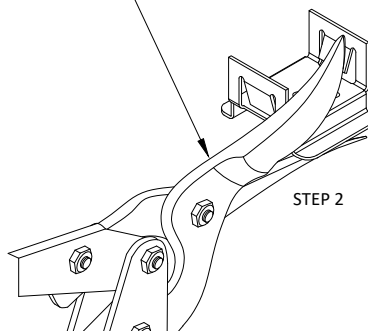
LINEAR T-GRID CLIP

TIN SNIPS

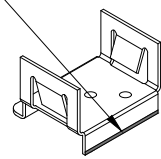
CLIPPED EDGE



STEP 1



STEP 2

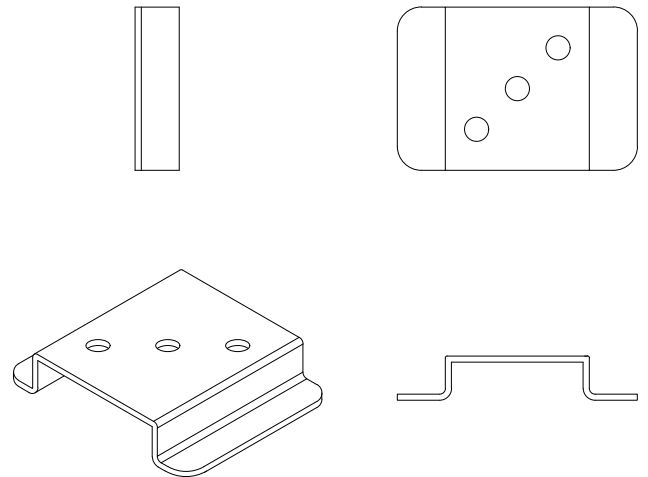
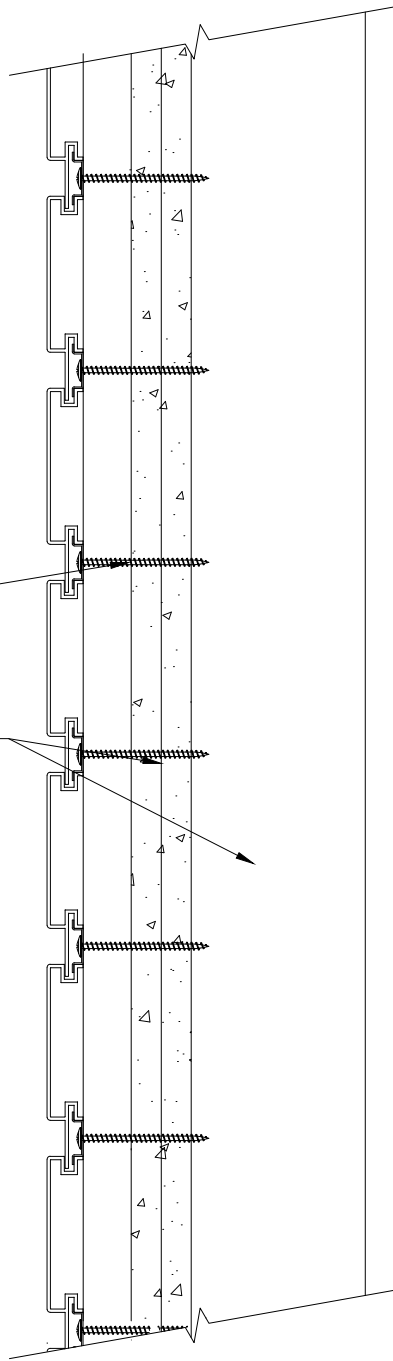


STEP 3

**2** ACCESS PANEL SECTION  
**13** SCALE: 3"=1'-0"

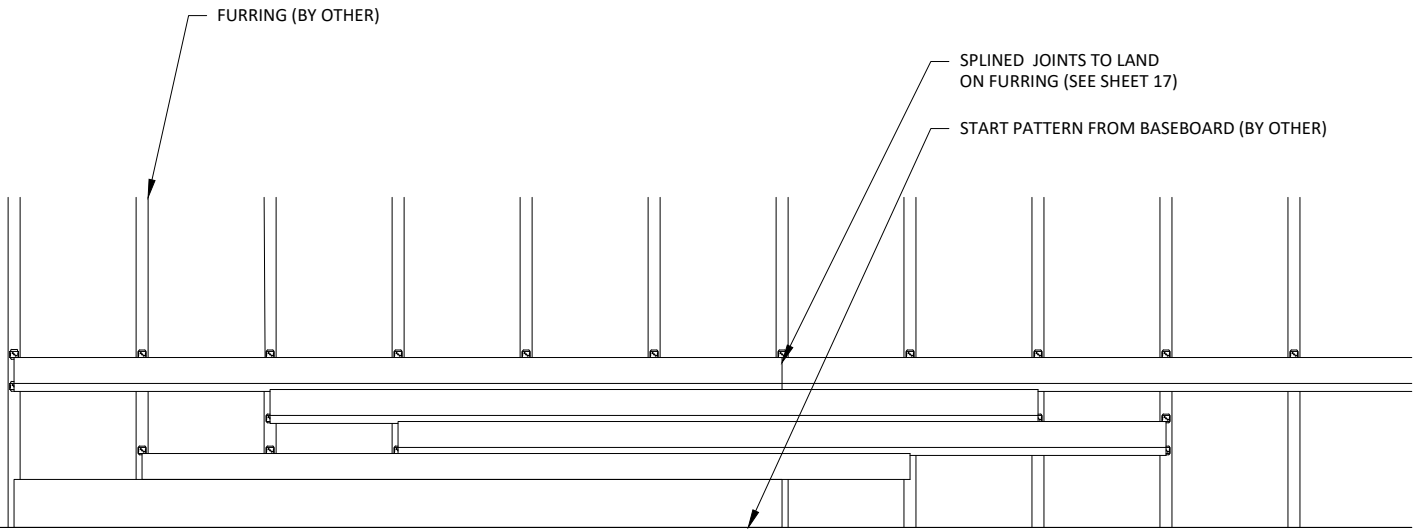
LINEAR DIRECT ATTACH CLIP  
SCREWED TO FURRING

TYP. WALL ASSEMBLY (BY OTHER)



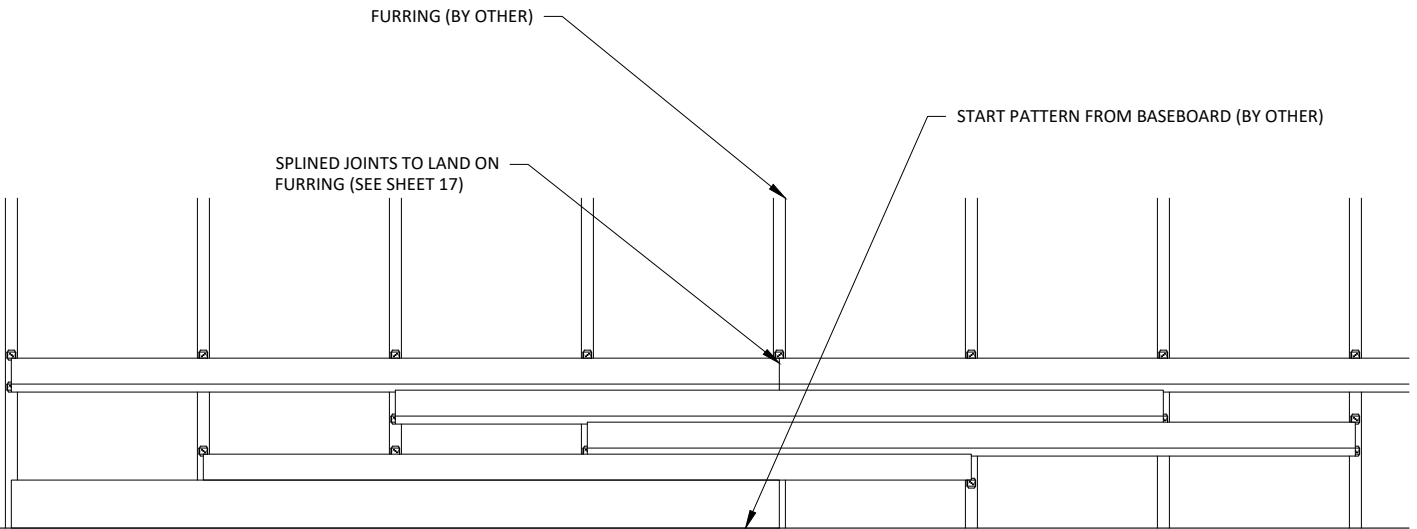
1  
14 LINEAR HORIZONTAL WALL SECTION  
SCALE: 3"=1'-0"

2  
14 DIRECT ATTACHMENT CLIP  
SCALE: 1"=1'-0"



1  
15 TYPICAL HORIZONTAL STAGGERED WALL PATTERN - 16 INCH SPACING

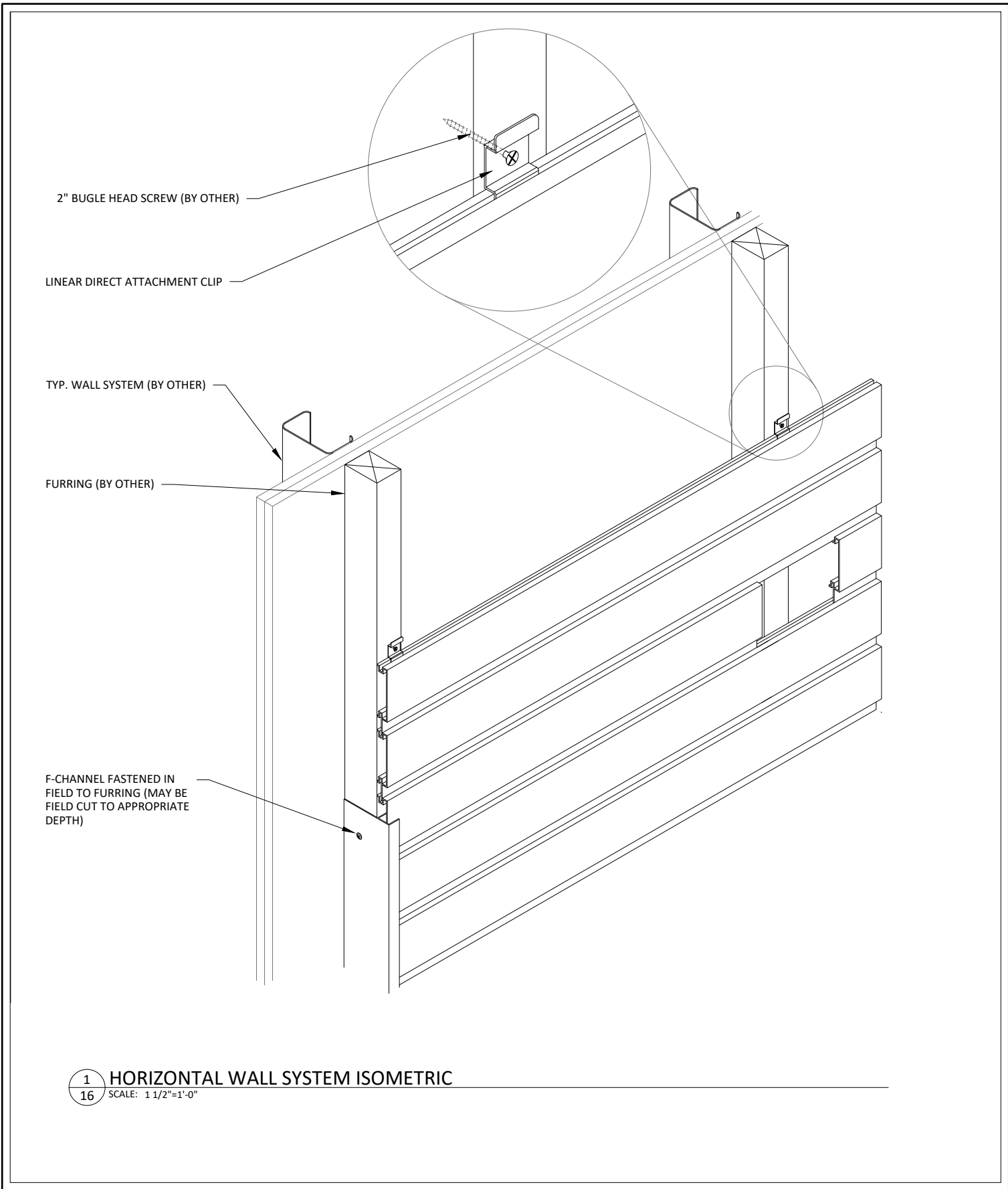
SCALE: 1/2"=1'-0"



2  
15 TYPICAL HORIZONTAL STAGGERED WALL PATTERN - 24 INCH SPACING

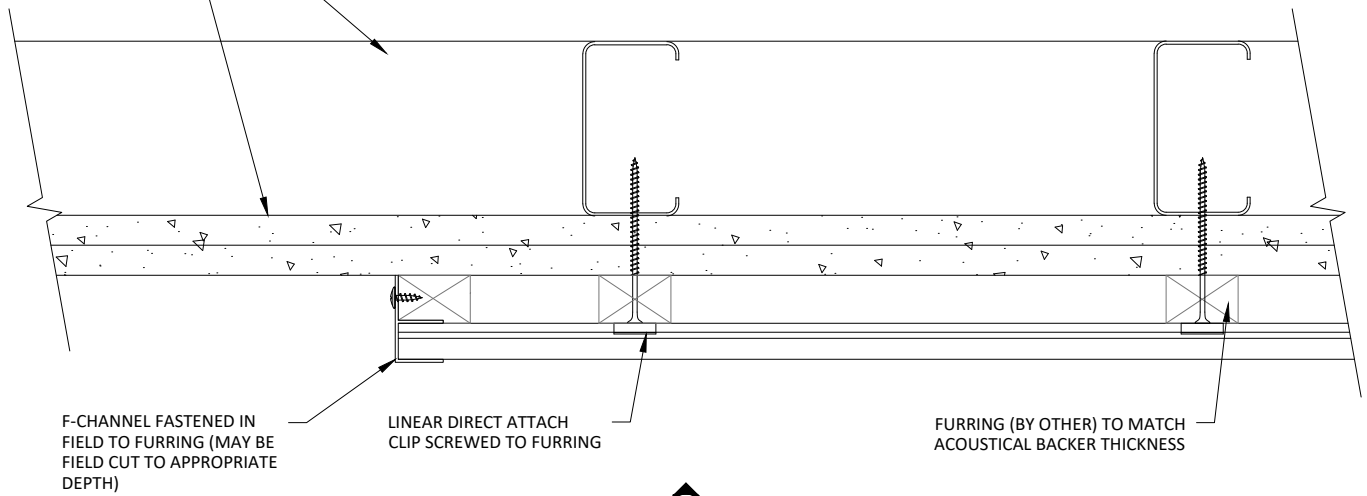
SCALE: 1/2"=1'-0"



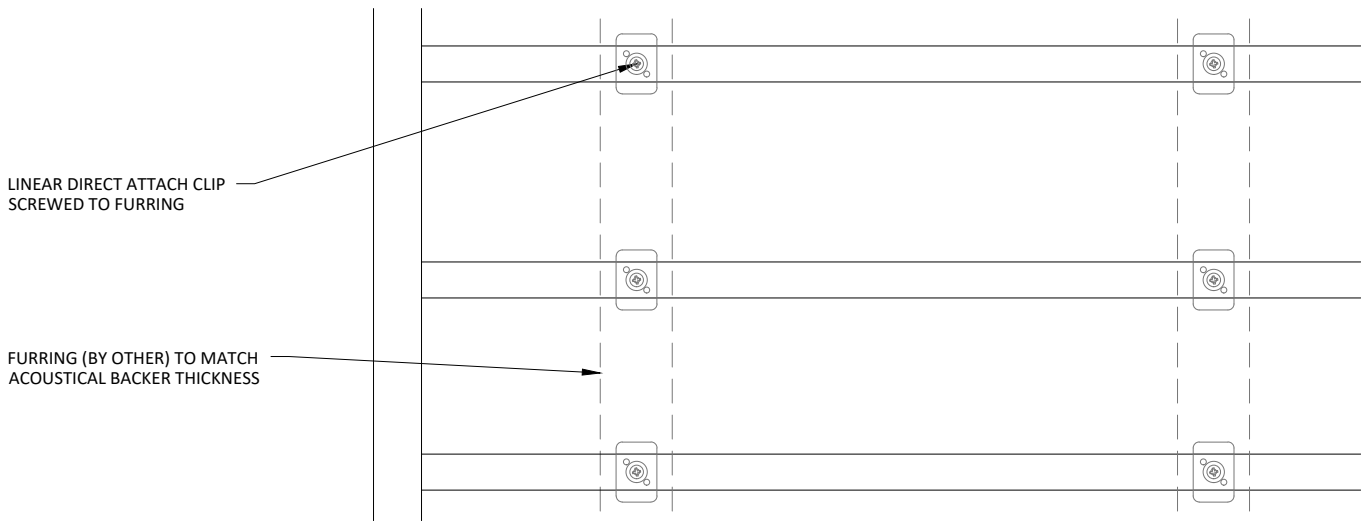


1 HORIZONTAL WALL SYSTEM ISOMETRIC  
 16 SCALE: 1 1/2"=1'-0"

TYP. WALL ASSEMBLY  
(BY OTHER)



1  
17 HORIZONTAL WALL PLAN @ TRIM  
SCALE: 3"=1'-0"

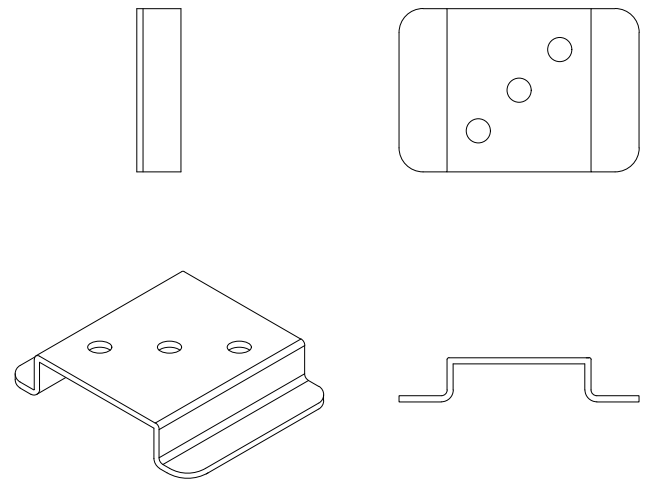
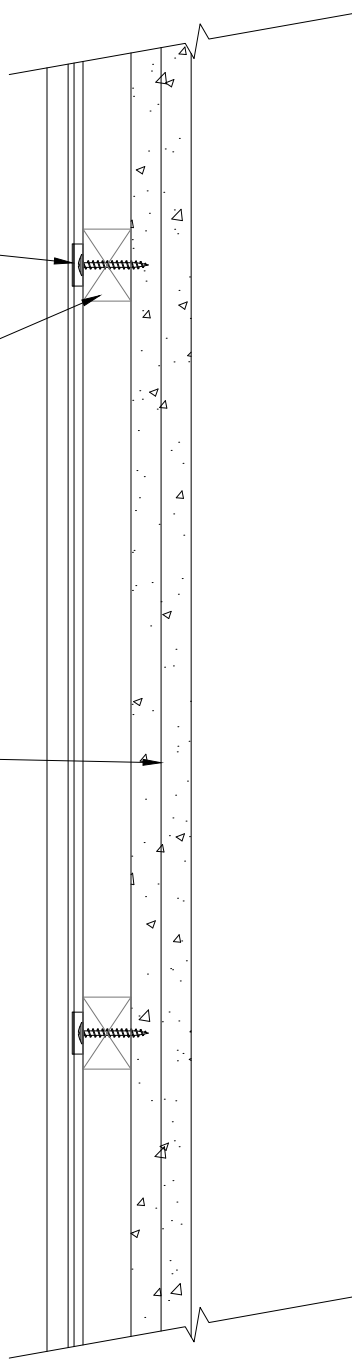


2  
17 HORIZONTAL WALL ELEVATION @ TRIM  
SCALE: 3"=1'-0"

LINEAR DIRECT ATTACH CLIP  
SCREWED TO FURRING

FURRING (BY OTHER)

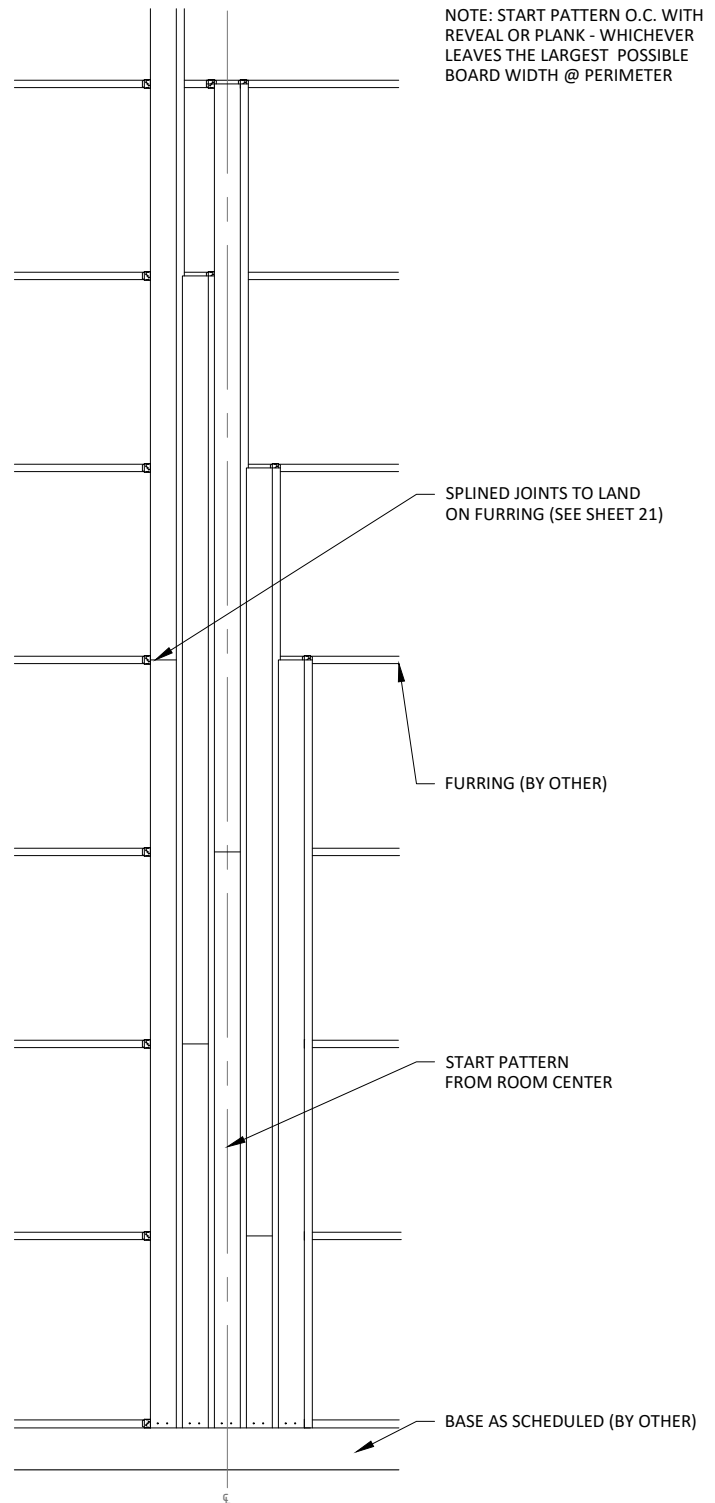
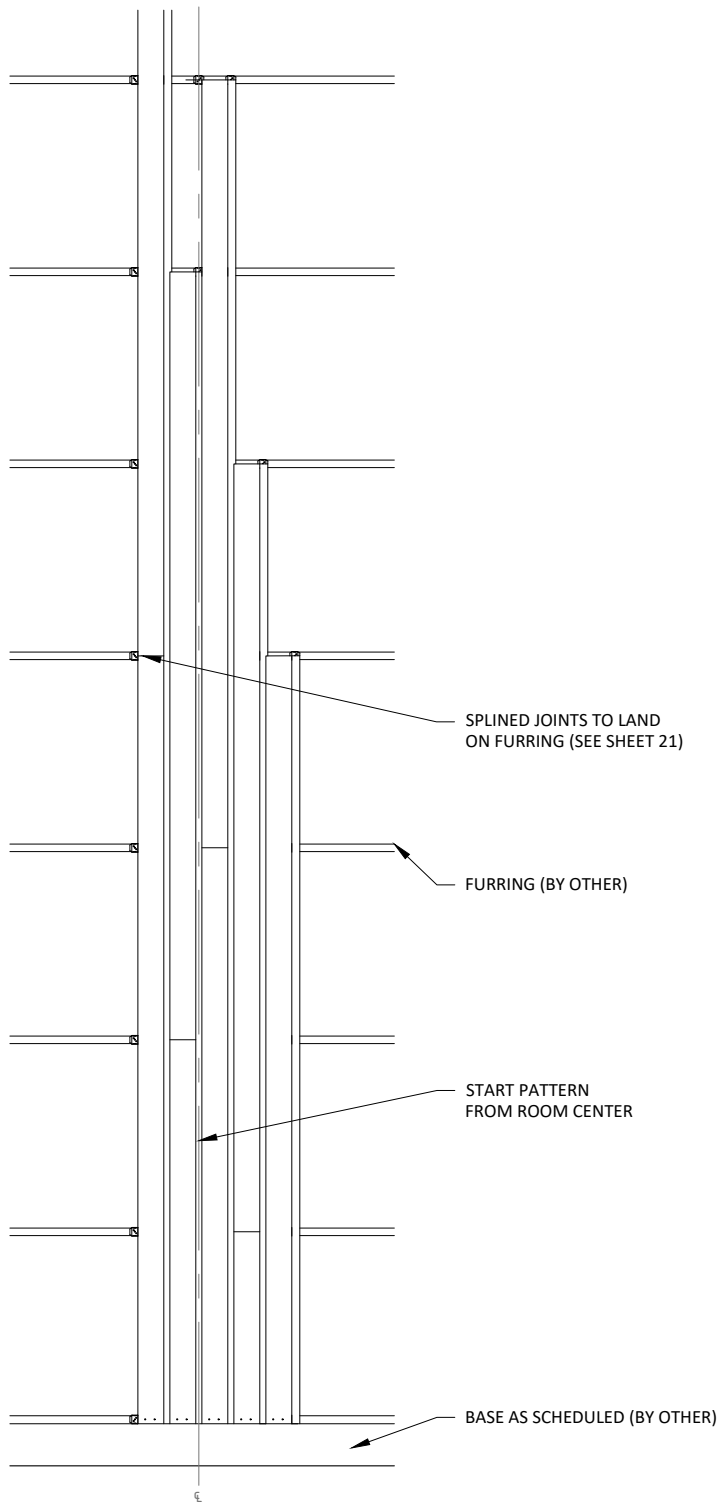
TYP. WALL SYSTEM (BY OTHER)



1 LINEAR VERTICAL WALL SECTION  
18 SCALE: 3"=1'-0"

2 DIRECT ATTACHMENT CLIP  
18 SCALE: 1'=1'-0"

NOTE: START PATTERN O.C. WITH REVEAL OR PLANK - WHICHEVER LEAVES THE LARGEST POSSIBLE BOARD WIDTH @ PERIMETER



1 VERTICAL WALL PATTERN 1  
19 SCALE: 1/2"=1'-0"

2 VERTICAL WALL PATTERN 2  
19 SCALE: 1/2"=1'-0"



LINEAR ALUMILINE WALL SYSTEM - VERTICAL WALL PATTERN OPTIONS

SHEET NUMBER

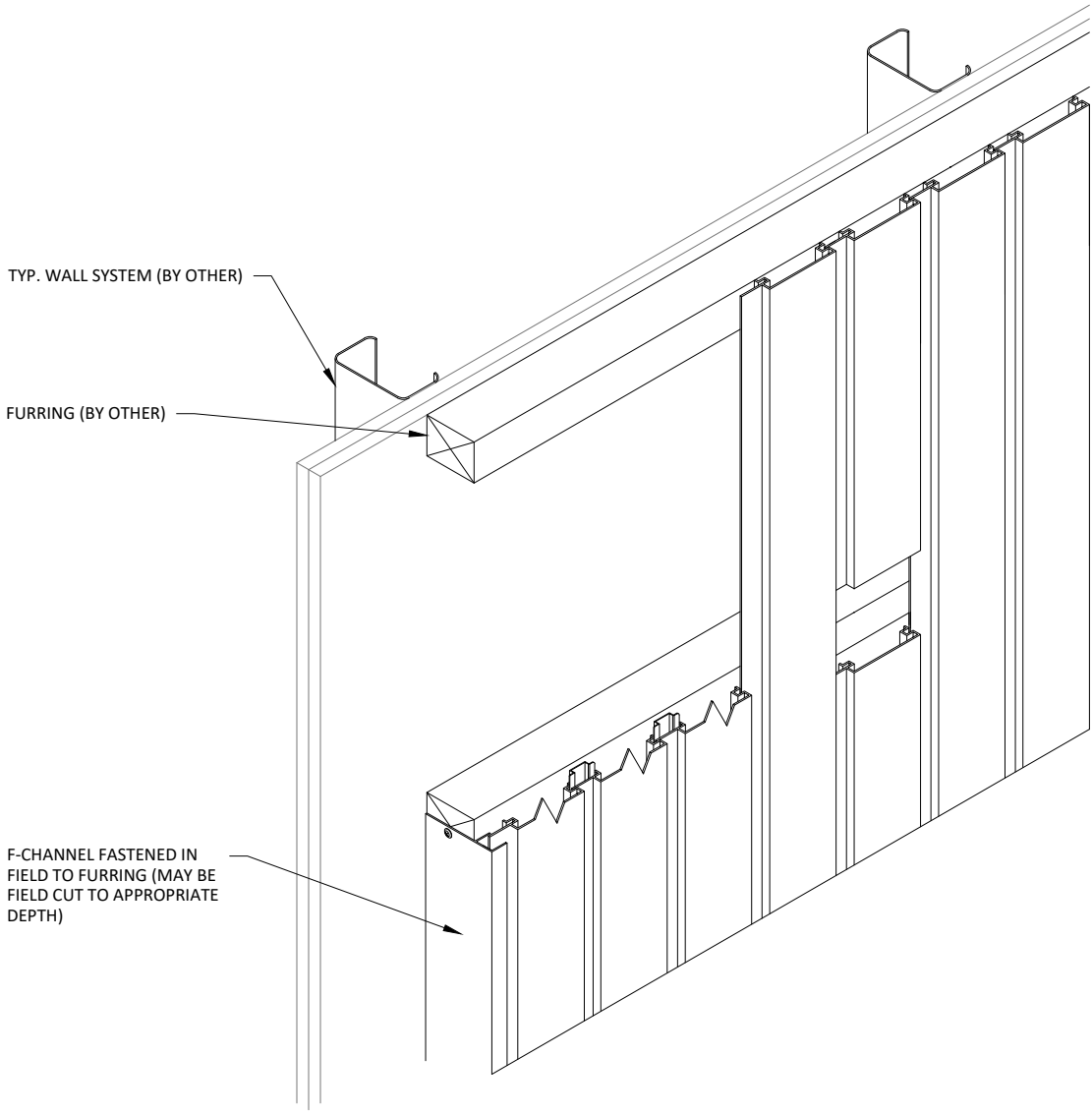
20

SCALE: AS NOTED

LAST REVISED: 10/25/2024

DRAWN BY: BS

DO NOT SCALE DRAWING. FIGURED DIMENSIONS ARE TO BE FOLLOWED. READ THIS DRAWING IN CONNECTION WITH GENERAL ARCHITECTURAL PLANS, STRUCTURAL PLANS, AND OTHER RELATED DRAWINGS. THESE DRAWINGS REPRESENT ASI'S UNDERSTANDING AND INTERPRETATION OF THE ARCHITECTURAL DRAWINGS AND HOW ASI PRODUCTS RELATE TO THE PROJECT. COPYRIGHT ASI © 2024



1 VERTICAL WALL SYSTEM ISOMETRIC  
 20 SCALE: 1 1/2"=1'-0"



LINEAR ALUMILINE WALL SYSTEM - VERTICAL ISOMETRIC

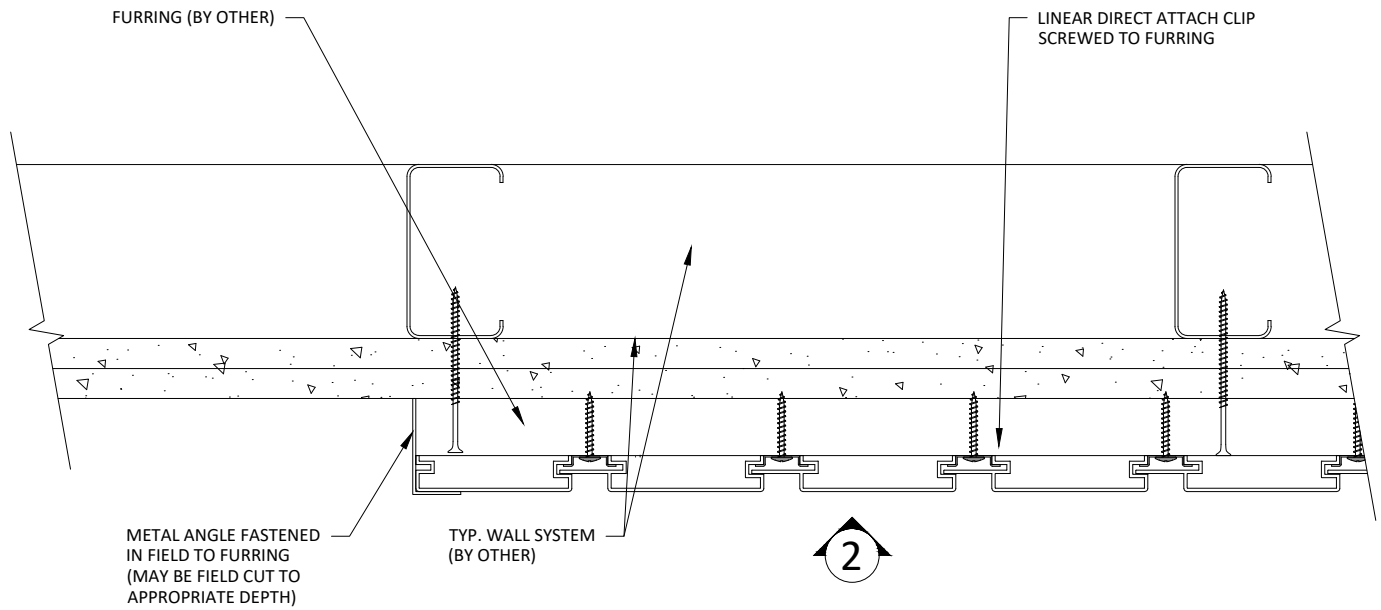
SHEET NUMBER  
 21

SCALE: AS NOTED

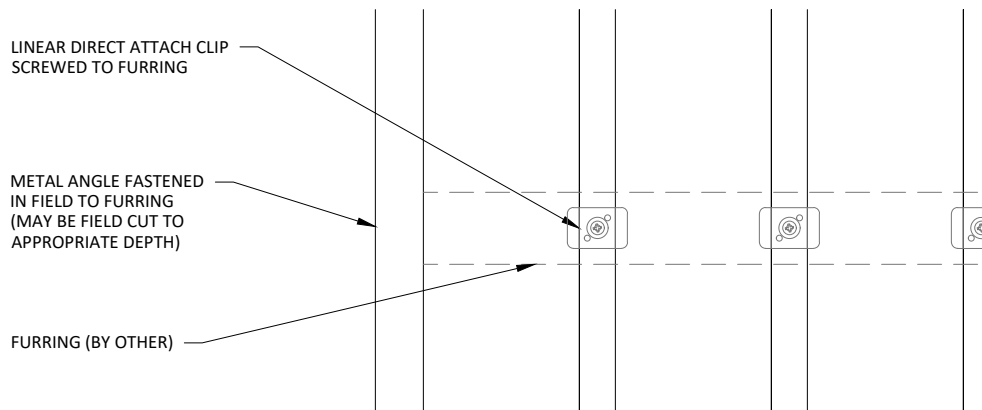
LAST REVISED: 10/25/2024

DRAWN BY: BS

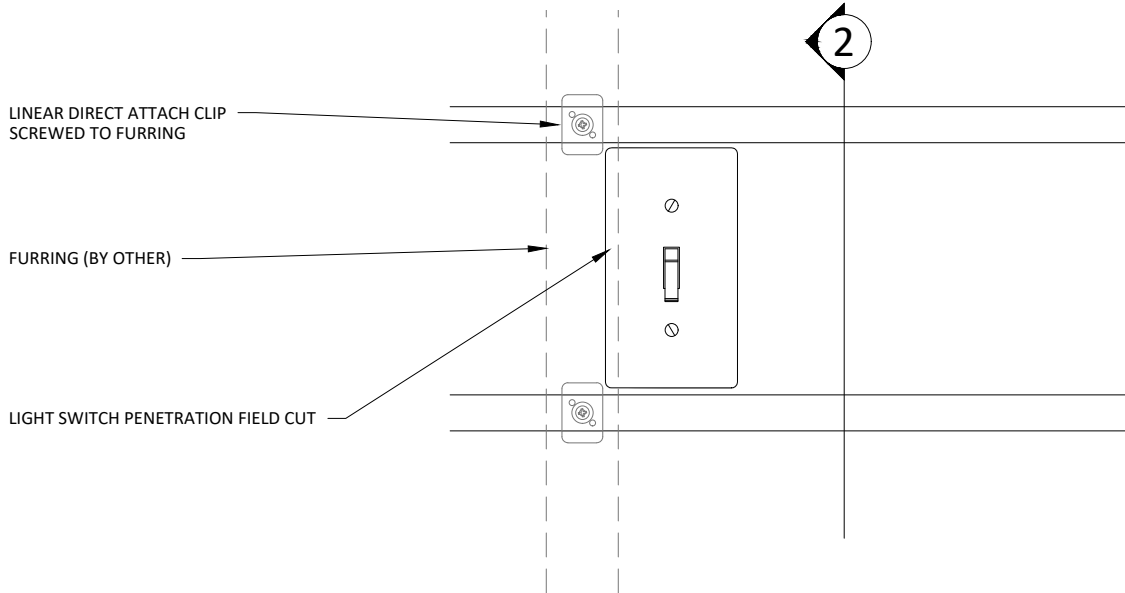
DO NOT SCALE DRAWING. FIGURED DIMENSIONS ARE TO BE FOLLOWED. READ THIS DRAWING IN CONNECTION WITH GENERAL ARCHITECTURAL PLANS, STRUCTURAL PLANS, AND OTHER RELATED DRAWINGS. THESE DRAWINGS REPRESENT ASI'S UNDERSTANDING AND INTERPRETATION OF THE ARCHITECTURAL DRAWINGS AND HOW ASI PRODUCTS RELATE TO THE PROJECT. COPYRIGHT ASI © 2024



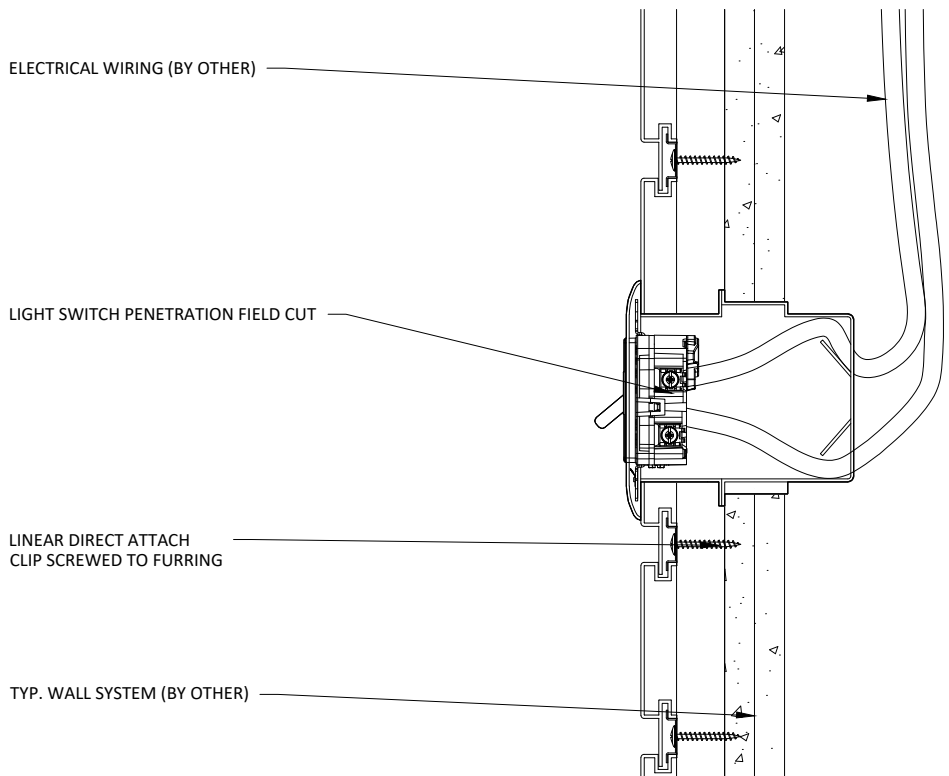
1  
21 VERTICAL WALL PLAN @ TRIM  
SCALE: 3"=1'-0"



2  
21 VERTICAL WALL ELEVATION @ TRIM  
SCALE: 3"=1'-0"

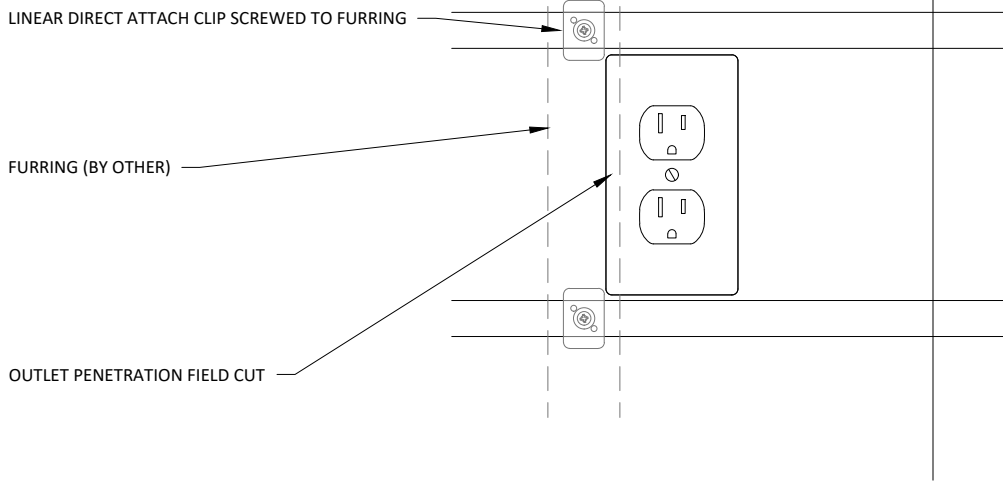


**1**  
**22** LIGHT SWITCH DETAIL - ELEVATION  
SCALE: 3"=1'-0"

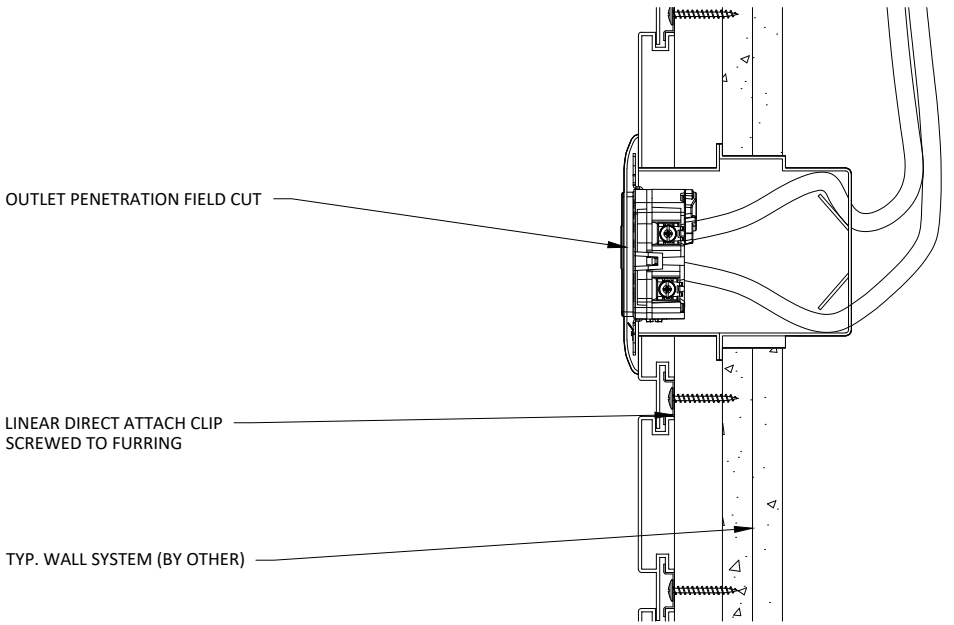


**2**  
**22** LIGHT SWITCH DETAIL - SECTION  
SCALE: 3"=1'-0"

2

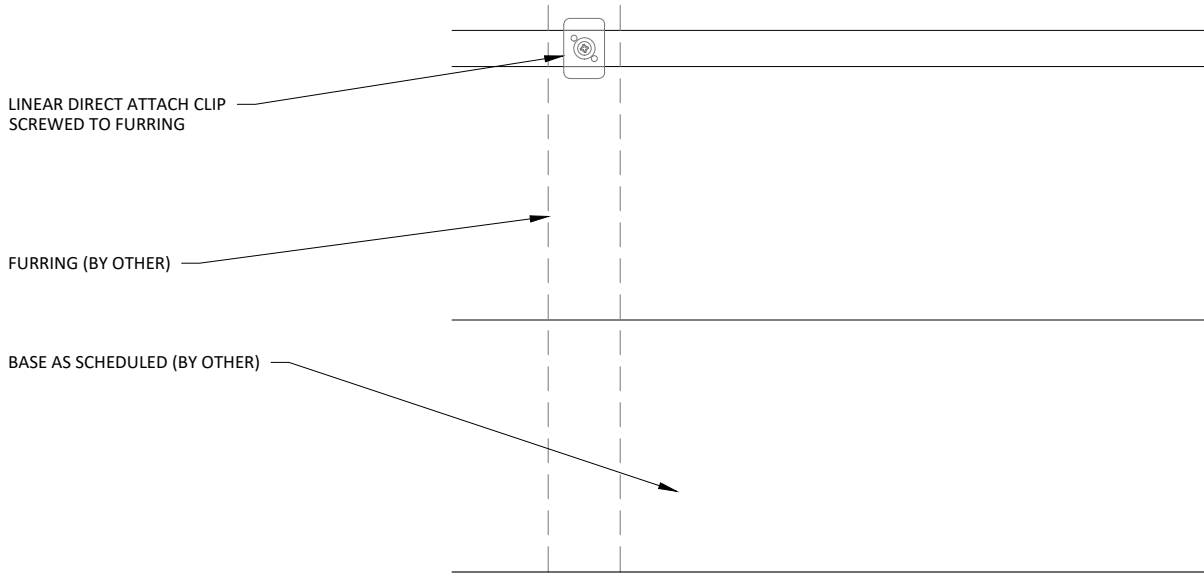


1  
23 OUTLET DETAIL - ELEVATION  
SCALE: 3"=1'-0"

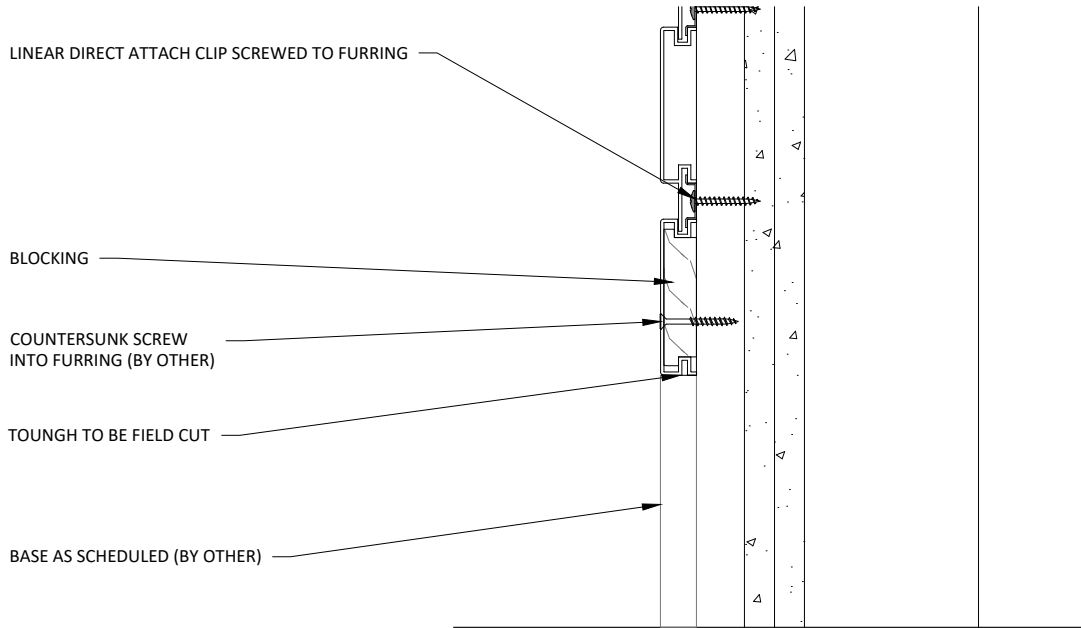


2  
23 OUTLET DETAIL - SECTION  
SCALE: 3"=1'-0"

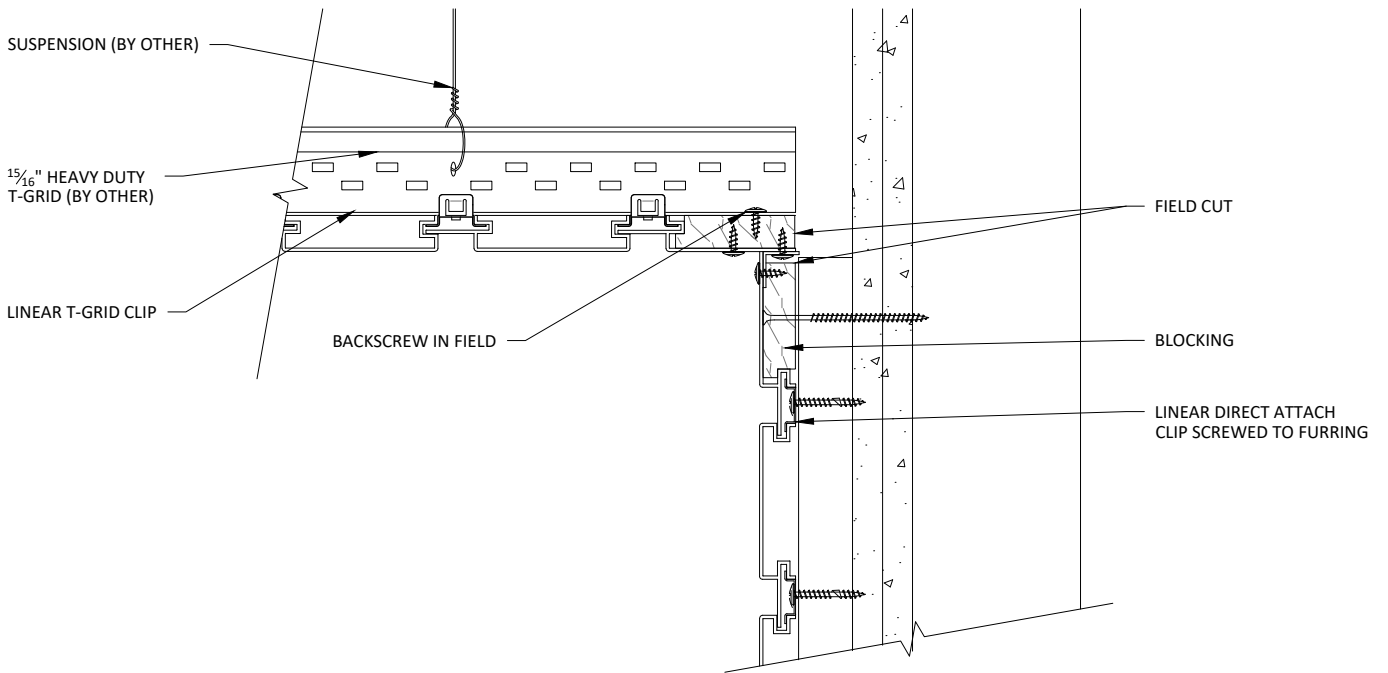




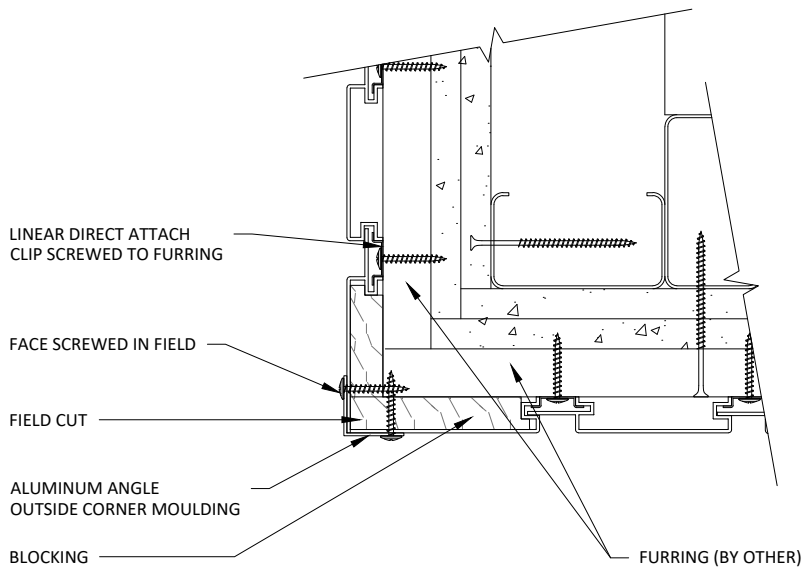
**1** BASEBOARD DETAIL - ELEVATION  
 24 SCALE: 3"=1'-0"



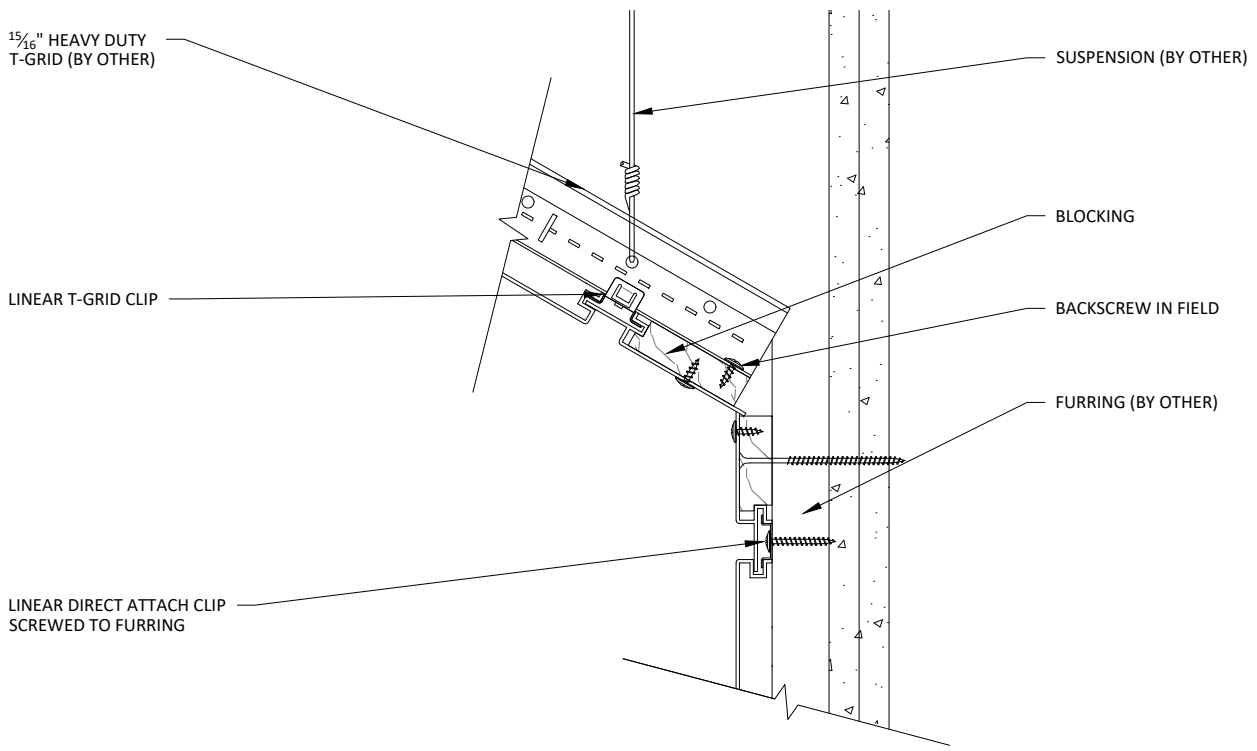
**2** BASEBOARD DETAIL - SECTION  
 24 SCALE: 3"=1'-0"



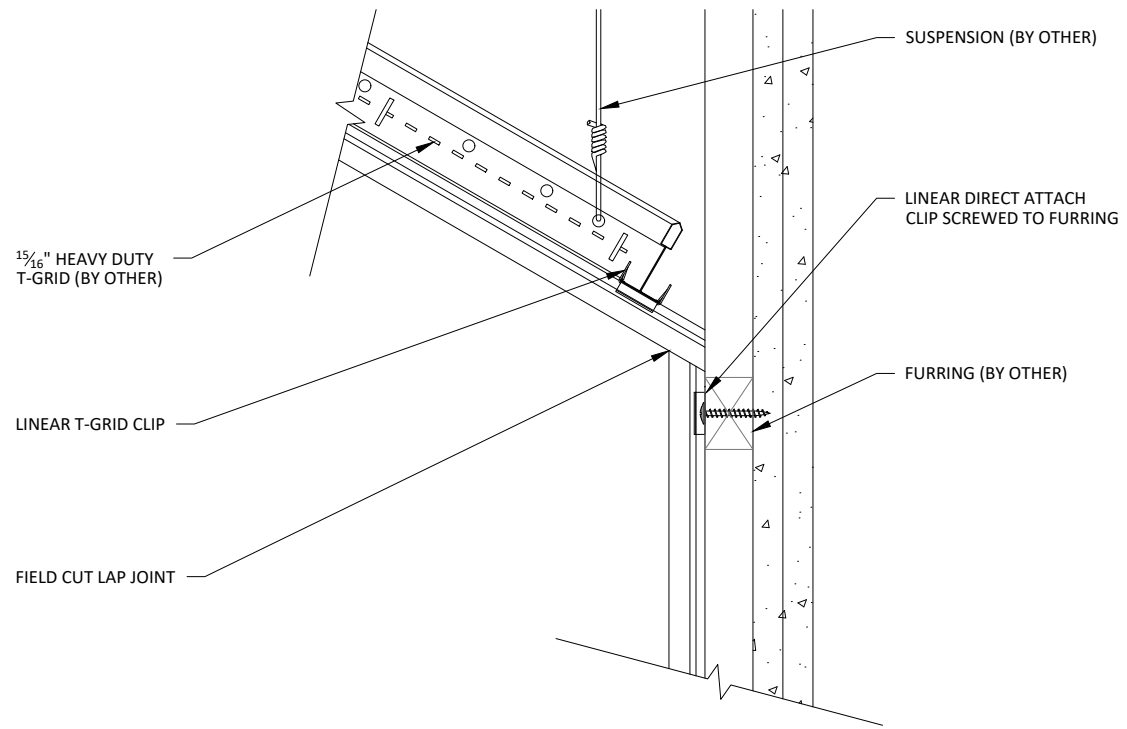
1 WALL-TO-CEILING TRANSITION  
25 SCALE: 3"=1'-0"



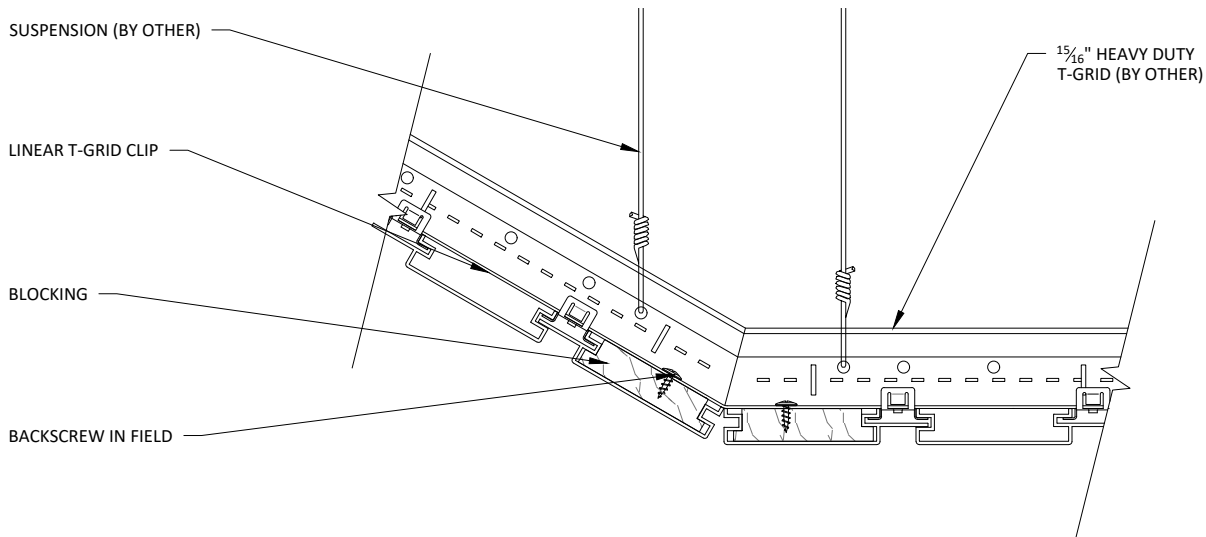
2 WALL OUTSIDE CORNER  
25 SCALE: 3"=1'-0"



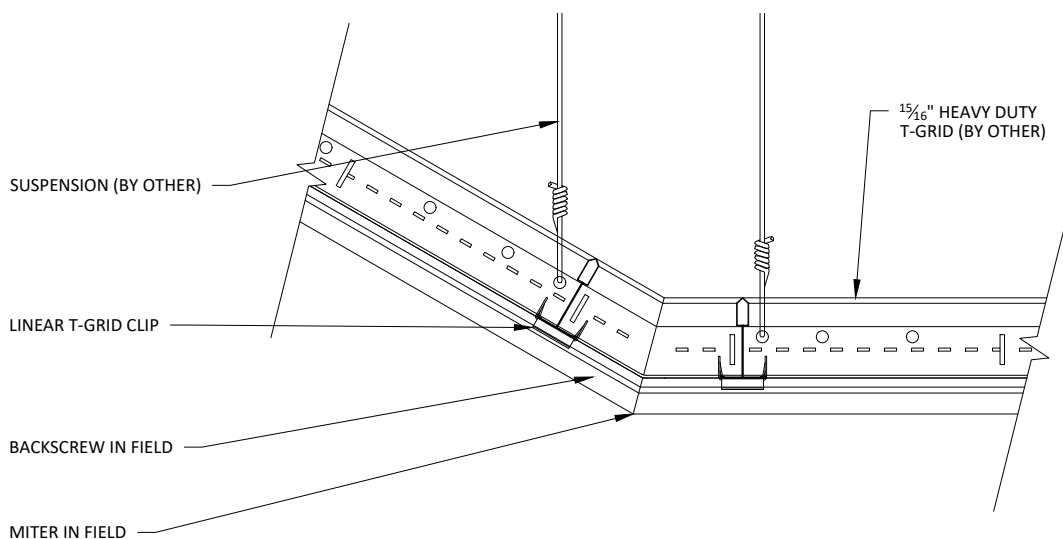
**1** HORIZONTAL WALL-TO-VAULTED CEILING  
 26 SCALE: 3"=1'-0"



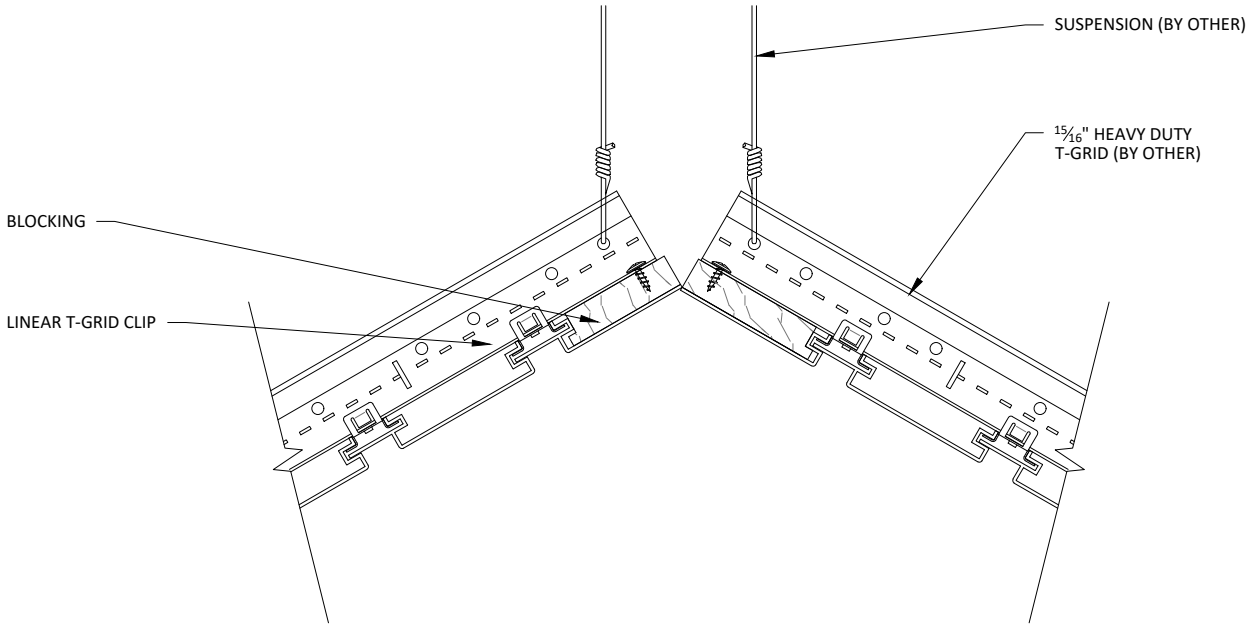
**2** VERTICAL WALL-TO-VAULTED CEILING  
 26 SCALE: 3"=1'-0"



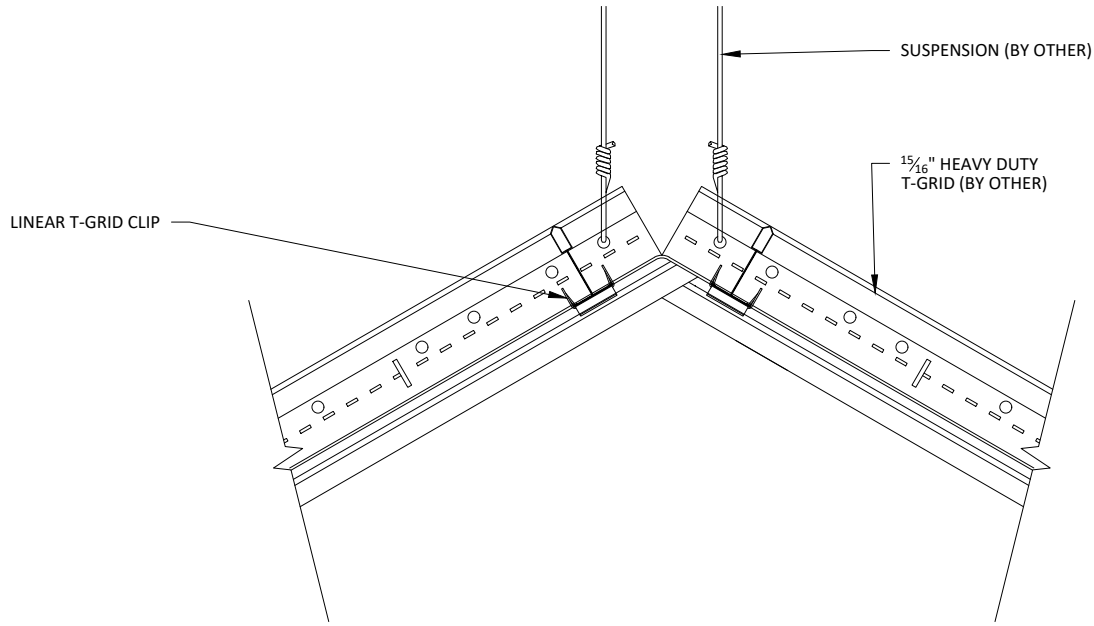
1 HORIZONTAL VAULTED CEILING RETURN  
 27 SCALE: 3"=1'-0"



2 VERTICAL VAULTED CEILING RETURN  
 27 SCALE: 3"=1'-0"



1 HORIZONTAL VAULTED CEILING PEAK  
 28 SCALE: 3"=1'-0"



2 VERTICAL VAULTED CEILING PEAK  
 28 SCALE: 3"=1'-0"