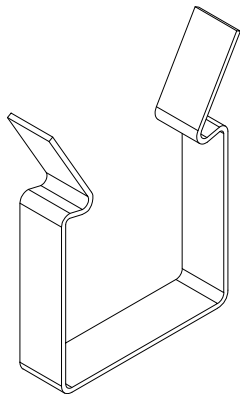
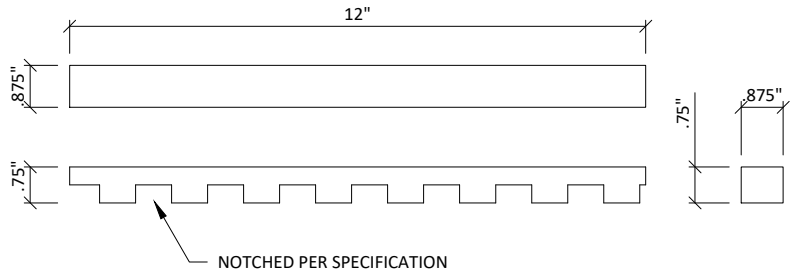


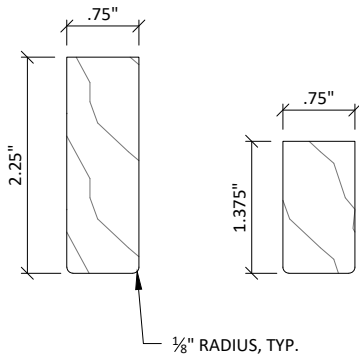
1 TYPICAL SECTION VIEW
3" = 1'-0"



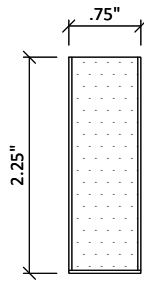
2 NOTCHED BACKER CLIP
1' = 1'-0"



3 NOTCHED BACKER
3" = 1'-0"



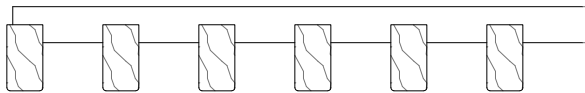
SOLID WOOD RAIL



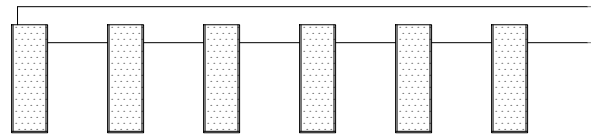
VENEERED RAIL

CUSTOM PROFILES AVAILABLE UPON REQUEST

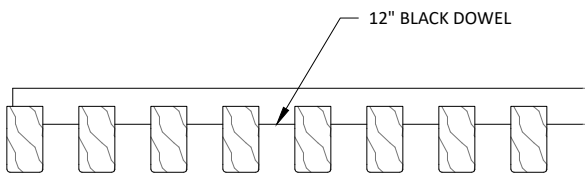
1 TYPICAL RAIL PROFILES
6" = 1'-0"



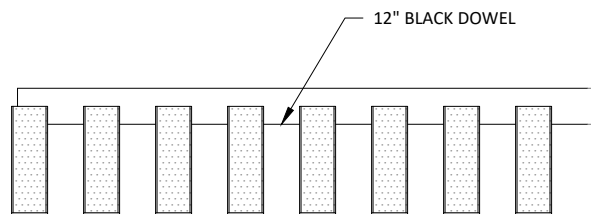
3/4" X 1 3/8" RAILS
6 RAIL/FT.
2" SPACING O.C.



3/4" X 2 1/4" RAILS
6 RAIL/FT.
2" SPACING O.C.

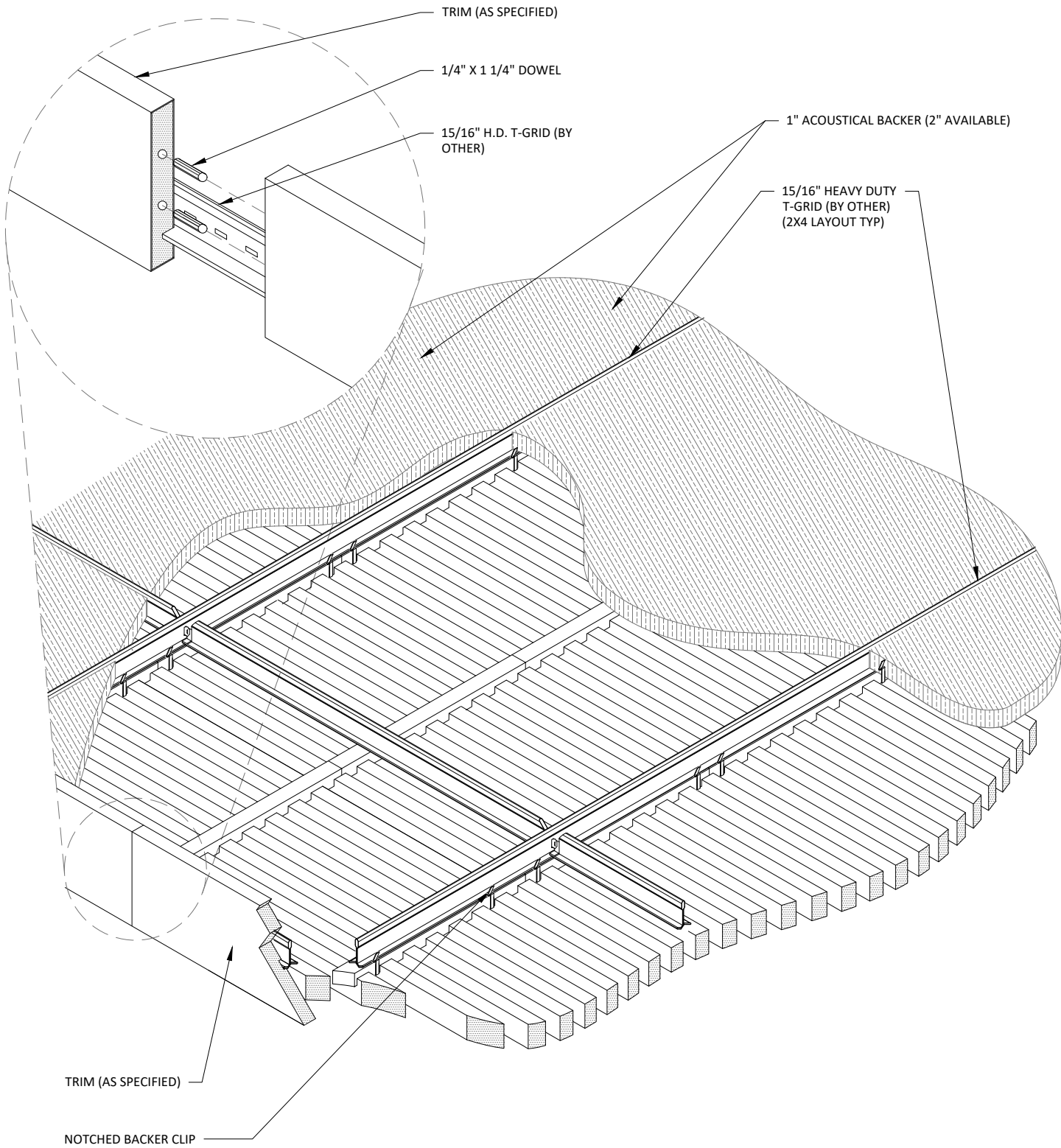


3/4" X 1 3/8" RAILS
8 RAIL/FT.
1 1/2" SPACING O.C.

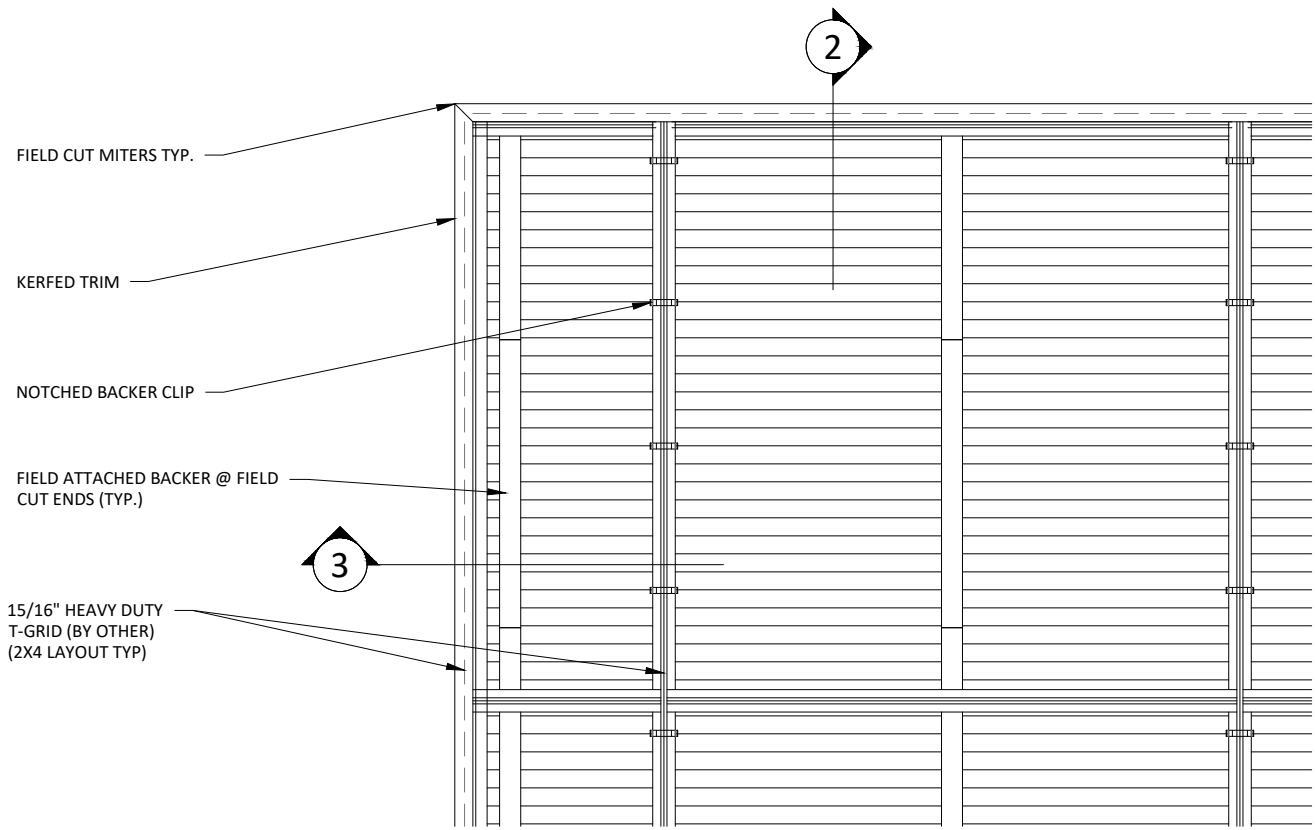


3/4" X 2 1/4" RAILS
8 RAIL/FT.
1 1/2" SPACING O.C.

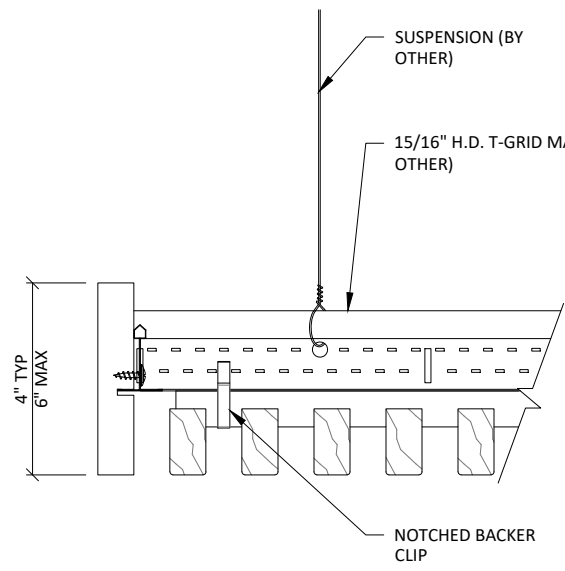
2 TYPICAL 12 INCH MODULES
3" = 1'-0"



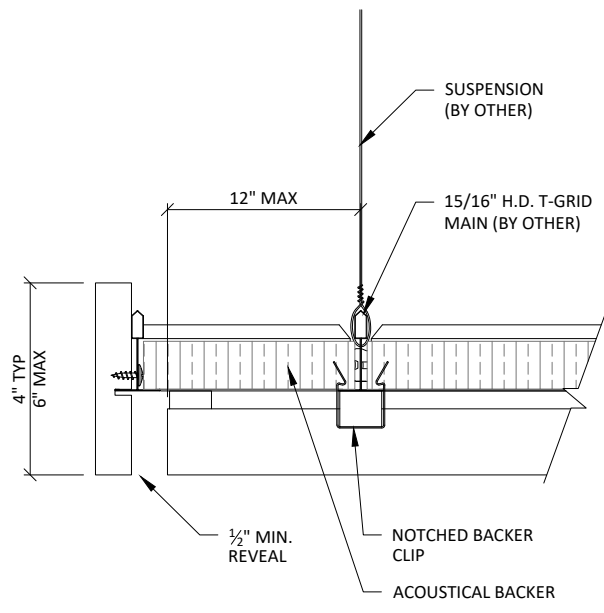
1 CEILING ISOMETRIC - TYP.
 1 1/2" = 1'-0"



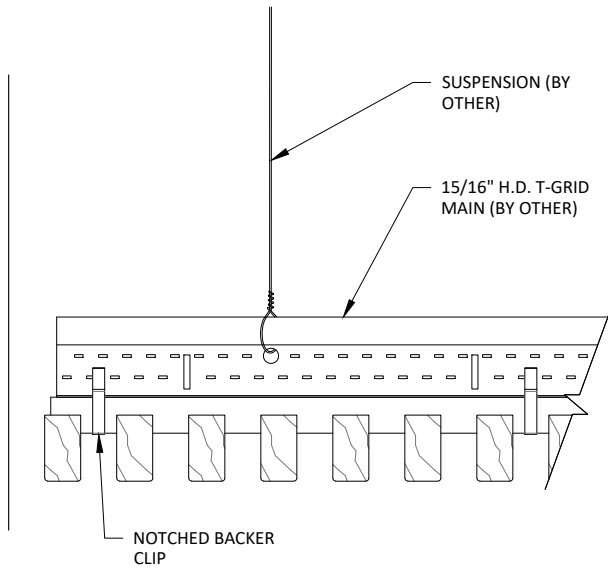
1 TRIM @ MITERED CORNER - PLAN
1 1/2" = 1'-0"



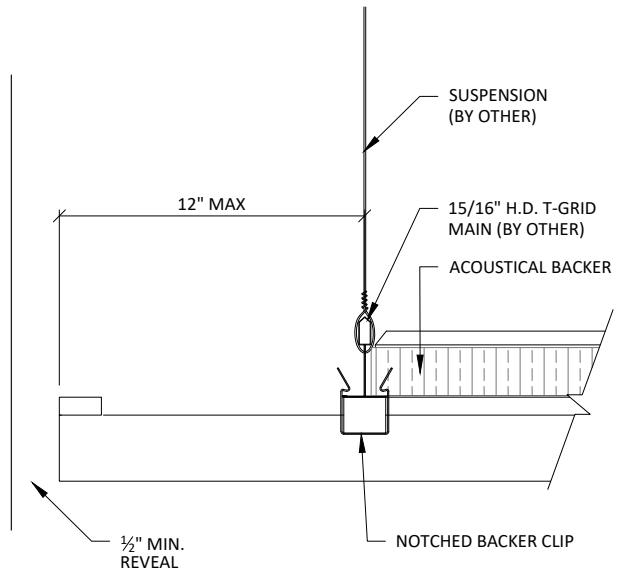
2 TRIM DETAIL 1
3" = 1'-0"



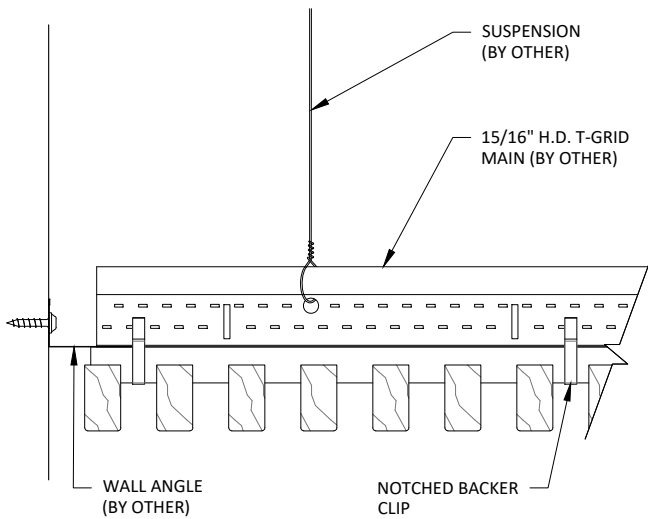
3 TRIM DETAIL 2
3" = 1'-0"



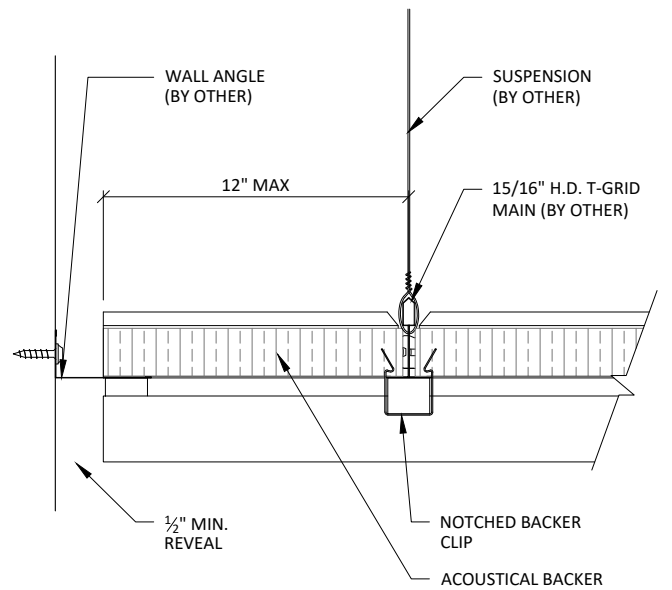
1 EDGE DETAIL 1
3" = 1'-0"



2 EDGE DETAIL 2
3" = 1'-0"



3 EDGE DETAIL 3
3" = 1'-0"



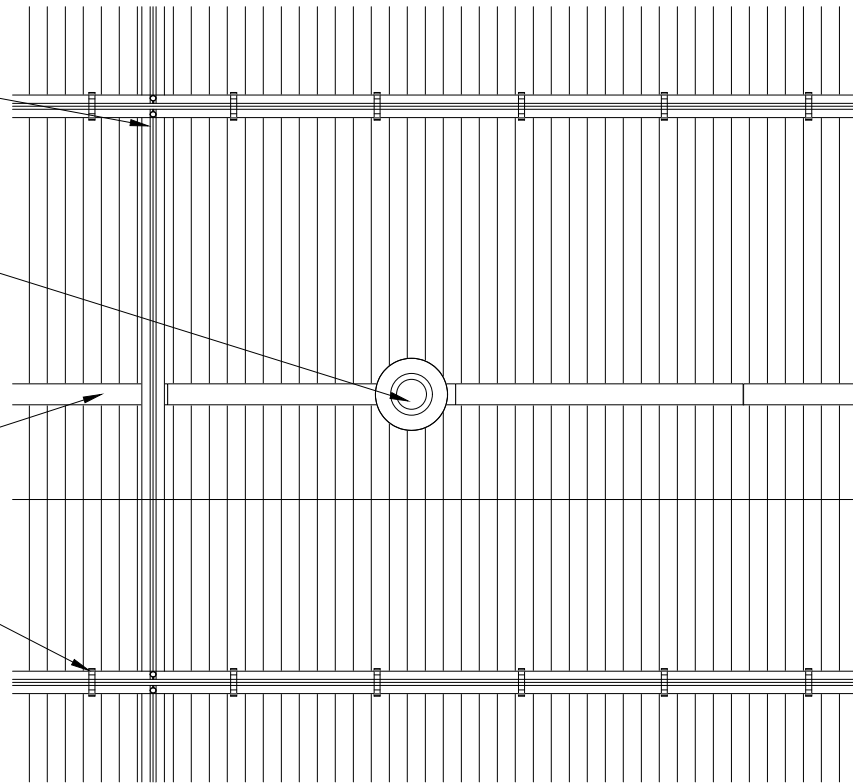
4 EDGE DETAIL 4
3" = 1'-0"

15/16" HEAVY DUTY
T-GRID (BY OTHER)
(2X4 LAYOUT TYP)

INDEPENDENTLY SUPPORTED
CUSTOMER PROVIDED FIXTURE:
FIELD CUT PENETRATION

BLACK BACKER

NOTCHED BACKER CLIP - 24" OC MAX
(2 PER BACKER TYPICAL)



1 SPRINKLER HEAD DETAIL - PLAN VIEW

1 1/2" = 1'-0"

INDEPENDENTLY SUPPORTED
CUSTOMER PROVIDED FIXTURE

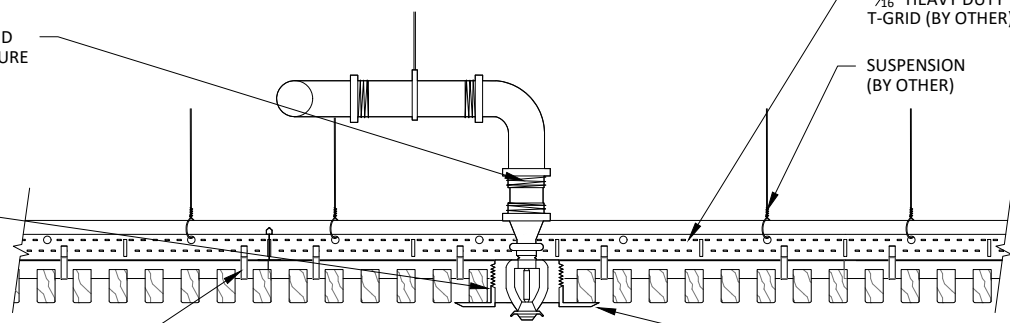
FIELD CUT

NOTCHED BACKER CLIP - 24" OC MAX
(2 PER BACKER TYPICAL)

15/16" HEAVY DUTY
T-GRID (BY OTHER)

SUSPENSION
(BY OTHER)

TRIM PLATE
RECOMMENDED
(BY OTHER)



2 SPRINKLER HEAD DETAIL - SECTION VIEW

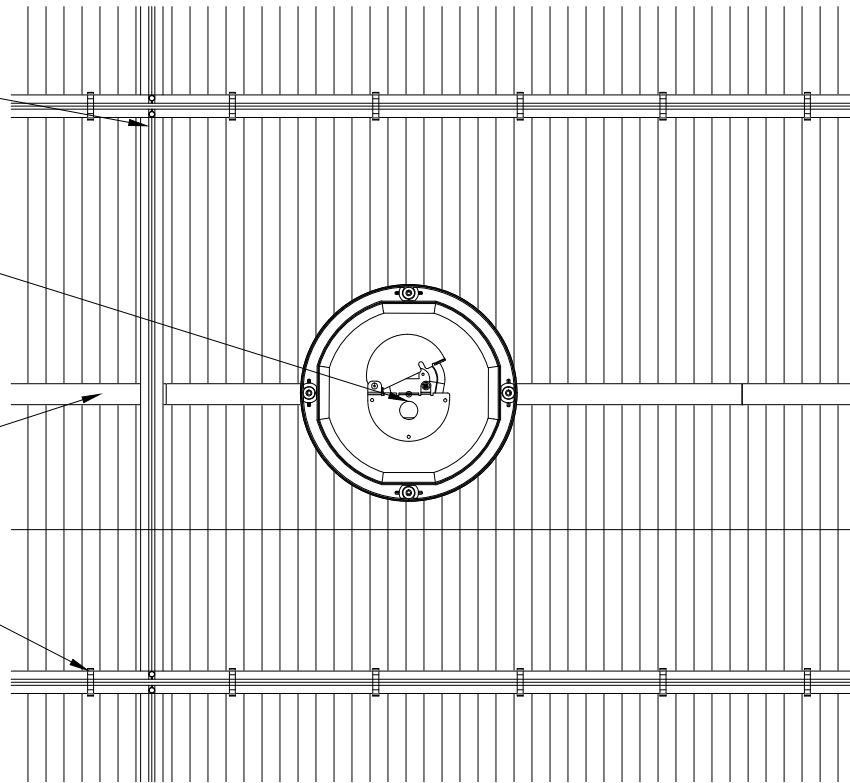
1 1/2" = 1'-0"

15/16" HEAVY DUTY
T-GRID (BY OTHER)
(2X4 LAYOUT TYP)

INDEPENDENTLY SUPPORTED
CUSTOMER PROVIDED FIXTURE:
FIELD CUT PENETRATION

BLACK BACKER

NOTCHED BACKER CLIP - 24" OC MAX
(2 PER BACKER TYPICAL)



2

1 CAN LIGHT DETAIL - PLAN VIEW
1 1/2" = 1'-0"

INDEPENDENTLY SUPPORTED
CUSTOMER PROVIDED FIXTURE

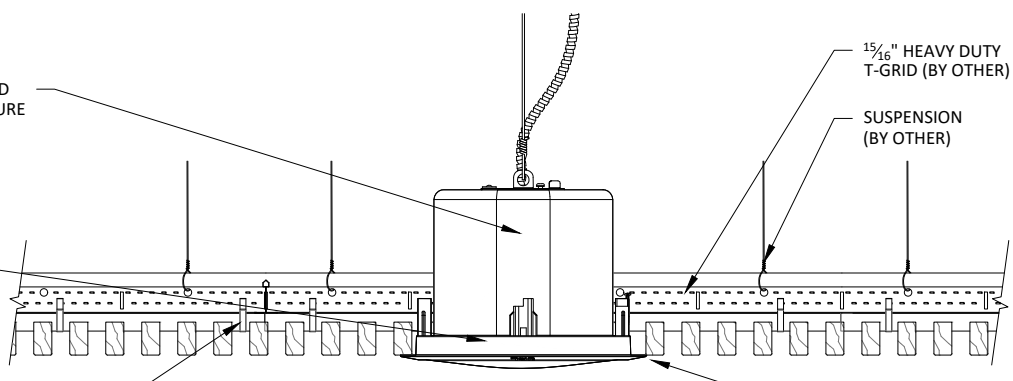
FIELD CUT

NOTCHED BACKER CLIP - 24" OC MAX
(2 PER BACKER TYPICAL)

15/16" HEAVY DUTY
T-GRID (BY OTHER)

SUSPENSION
(BY OTHER)

TRIM PLATE
RECOMMENDED
(BY OTHER)



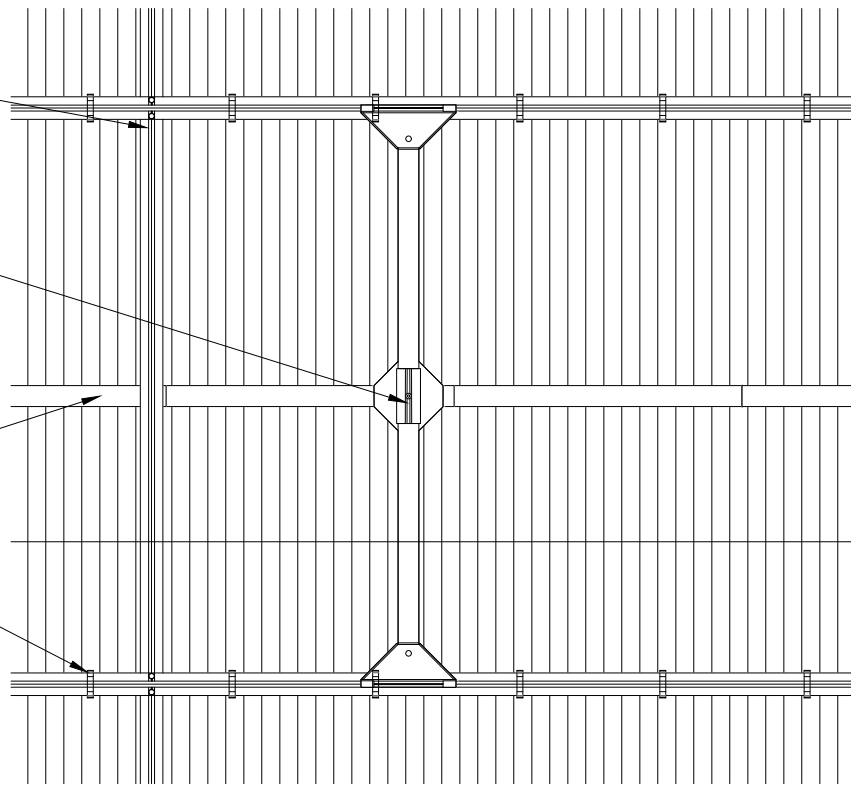
2 CAN LIGHT DETAIL - SECTION VIEW
1 1/2" = 1'-0"

15/16" HEAVY DUTY
T-GRID (BY OTHER)
(2X4 LAYOUT TYP)

INDEPENDENTLY SUPPORTED
CUSTOMER PROVIDED FIXTURE:
FIELD CUT PENETRATION

BLACK BACKER

NOTCHED BACKER CLIP - 24" OC MAX
(2 PER BACKER TYPICAL)



1

PENDANT LIGHT DETAIL - PLAN VIEW

1 1/2" = 1'-0"

INDEPENDENTLY SUPPORTED
CUSTOMER PROVIDED FIXTURE

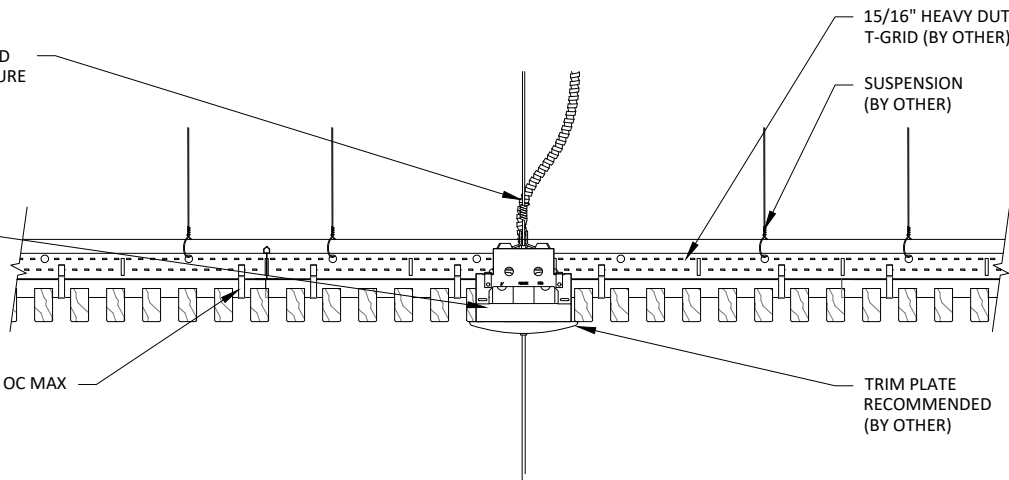
FIELD CUT

NOTCHED BACKER CLIP - 24" OC MAX
(2 PER BACKER TYPICAL)

15/16" HEAVY DUTY
T-GRID (BY OTHER)

SUSPENSION
(BY OTHER)

TRIM PLATE
RECOMMENDED
(BY OTHER)



2

PENDANT LIGHT DETAIL - SECTION VIEW

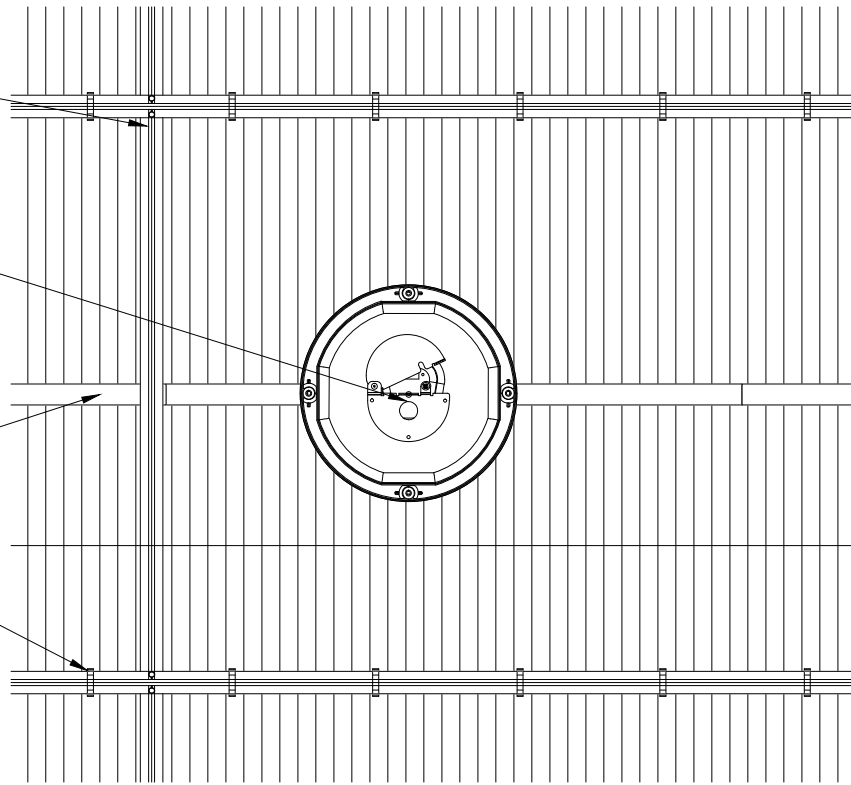
1 1/2" = 1'-0"

15/16" HEAVY DUTY
T-GRID (BY OTHER)
(2X4 LAYOUT TYP)

INDEPENDENTLY SUPPORTED
CUSTOMER PROVIDED FIXTURE:
FIELD CUT PENETRATION

BLACK BACKER

NOTCHED BACKER CLIP - 24" OC MAX
(2 PER BACKER TYPICAL)



1

RECESSED SPEAKER DETAIL - PLAN VIEW

1 1/2" = 1'-0"

INDEPENDENTLY SUPPORTED
CUSTOMER PROVIDED FIXTURE

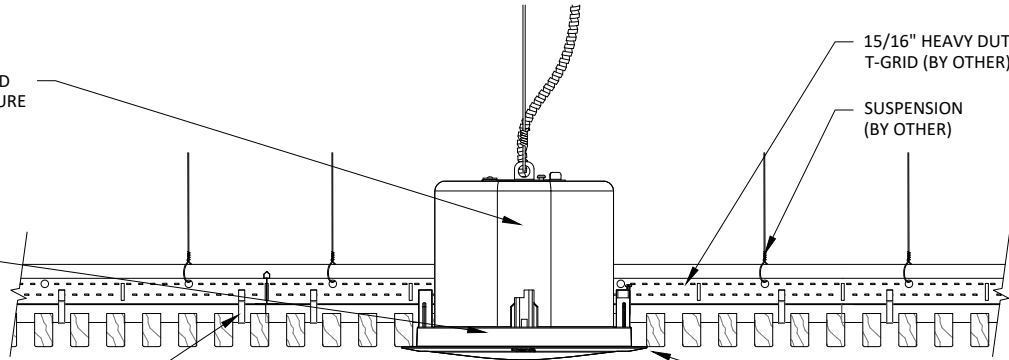
FIELD CUT

NOTCHED BACKER CLIP - 24" OC MAX
(2 PER BACKER TYPICAL)

15/16" HEAVY DUTY
T-GRID (BY OTHER)

SUSPENSION
(BY OTHER)

TRIM PLATE
RECOMMENDED
(BY OTHER)



2

RECESSED SPEAKER DETAIL - SECTION VIEW

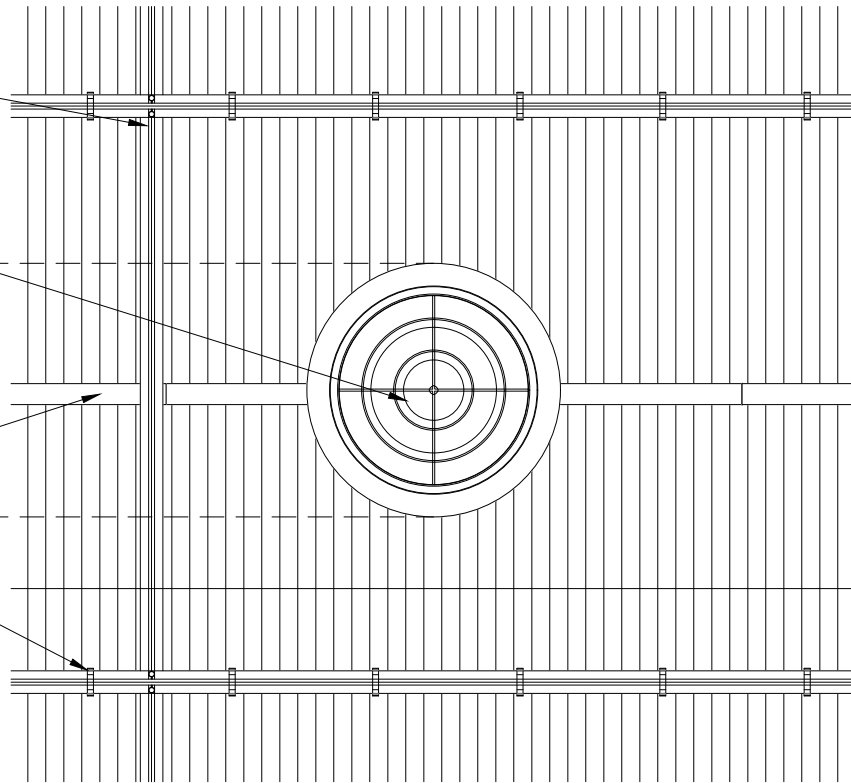
1 1/2" = 1'-0"

15/16" HEAVY DUTY
T-GRID (BY OTHER)
(2X4 LAYOUT TYP)

INDEPENDENTLY SUPPORTED
CUSTOMER PROVIDED FIXTURE:
FIELD CUT PENETRATION

BLACK BACKER

NOTCHED BACKER CLIP - 24" OC MAX
(2 PER BACKER TYPICAL)



1

DIFFUSER DETAIL - PLAN VIEW

1 1/2" = 1'-0"

INDEPENDENTLY SUPPORTED
CUSTOMER PROVIDED FIXTURE

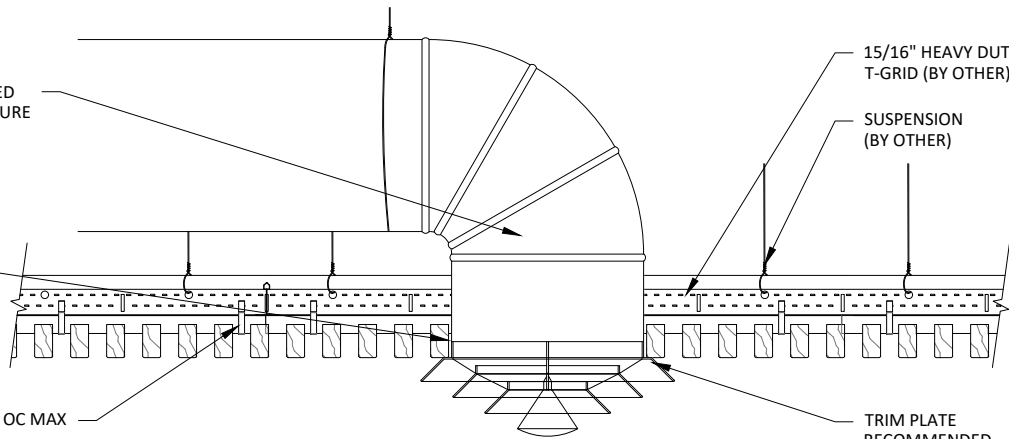
FIELD CUT

NOTCHED BACKER CLIP - 24" OC MAX
(2 PER BACKER TYPICAL)

15/16" HEAVY DUTY
T-GRID (BY OTHER)

SUSPENSION
(BY OTHER)

TRIM PLATE
RECOMMENDED
(BY OTHER)



2

DIFFUSER DETAIL - SECTION VIEW

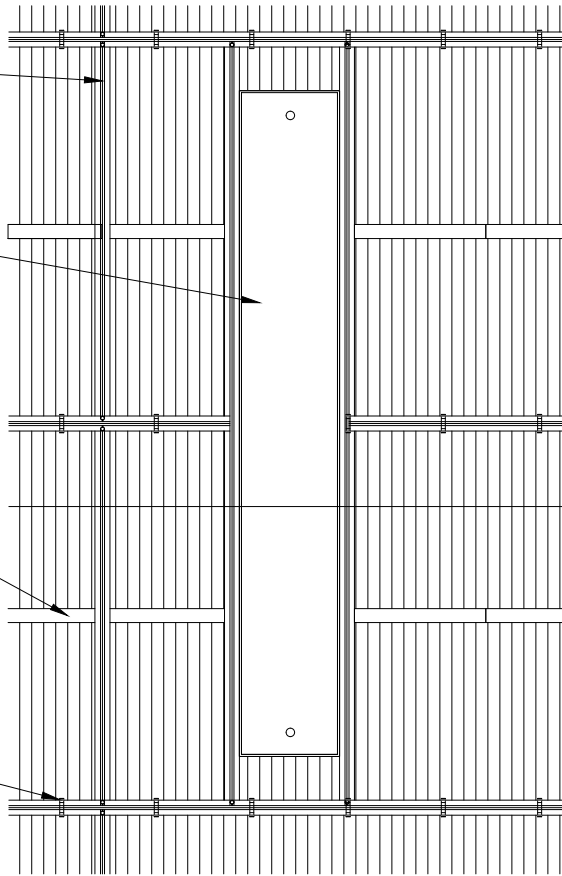
1 1/2" = 1'-0"

15/16" HEAVY DUTY
T-GRID (BY OTHER)
(2X4 LAYOUT TYP)

INDEPENDENTLY SUPPORTED
LINEAR LIGHT: FIELD CUT
PENETRATION

BLACK BACKER

NOTCHED BACKER CLIP - 24" OC MAX
(2 PER BACKER TYPICAL)



1 LINEAR LIGHT DETAIL - PLAN VIEW
1" = 1'-0"

INDEPENDENTLY SUPPORTED
CUSTOMER PROVIDED FIXTURE

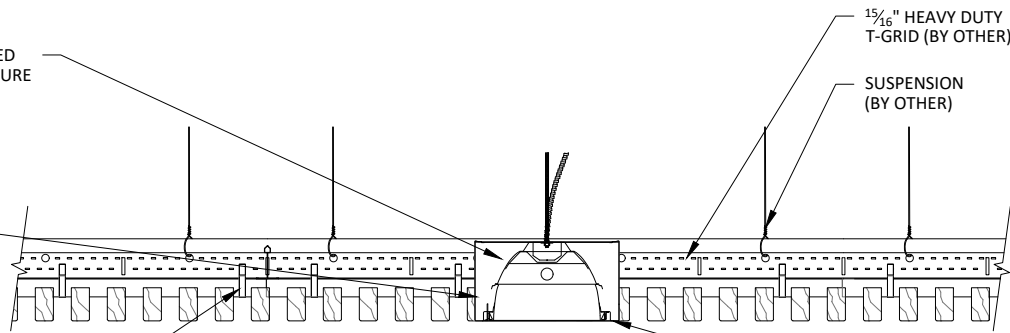
FIELD CUT

NOTCHED BACKER CLIP - 24" OC MAX
(2 PER BACKER TYPICAL)

15/16" HEAVY DUTY
T-GRID (BY OTHER)

SUSPENSION
(BY OTHER)

TRIM PLATE
RECOMMENDED
(BY OTHER)



2 LINEAR LIGHT DETAIL - SECTION VIEW
1 1/2" = 1'-0"

1" ACOUSTICAL BACKER
(2" AVAILABLE)

TYP. WALL ASSEMBLY
(BY OTHER)

FURRING (BY OTHER) TO
MATCH ACOUSTICAL BACKER
THICKNESS

NOTCHED BACKER

2" SCREW (BY OTHER)

GRILLE RAIL

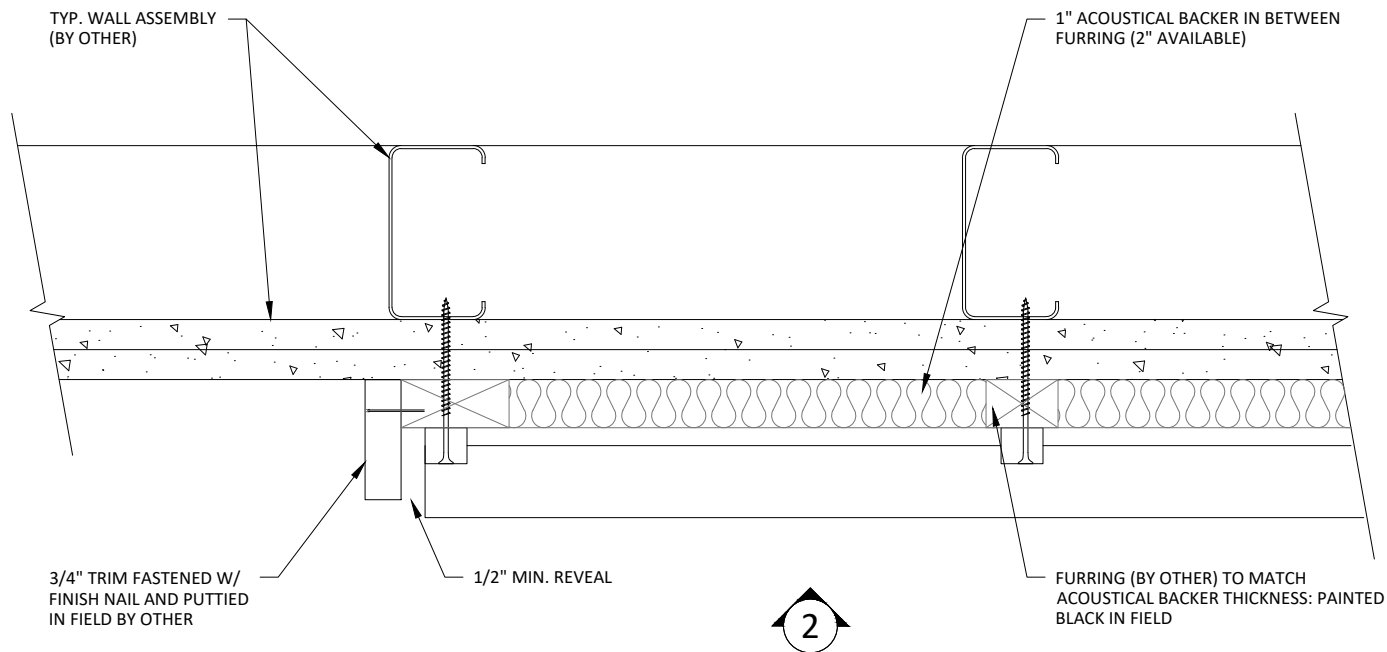
1/2" REVEAL FOR
EXPANSION &
CONTRACTION

16 GA. FINISH NAIL (BY OTHER)

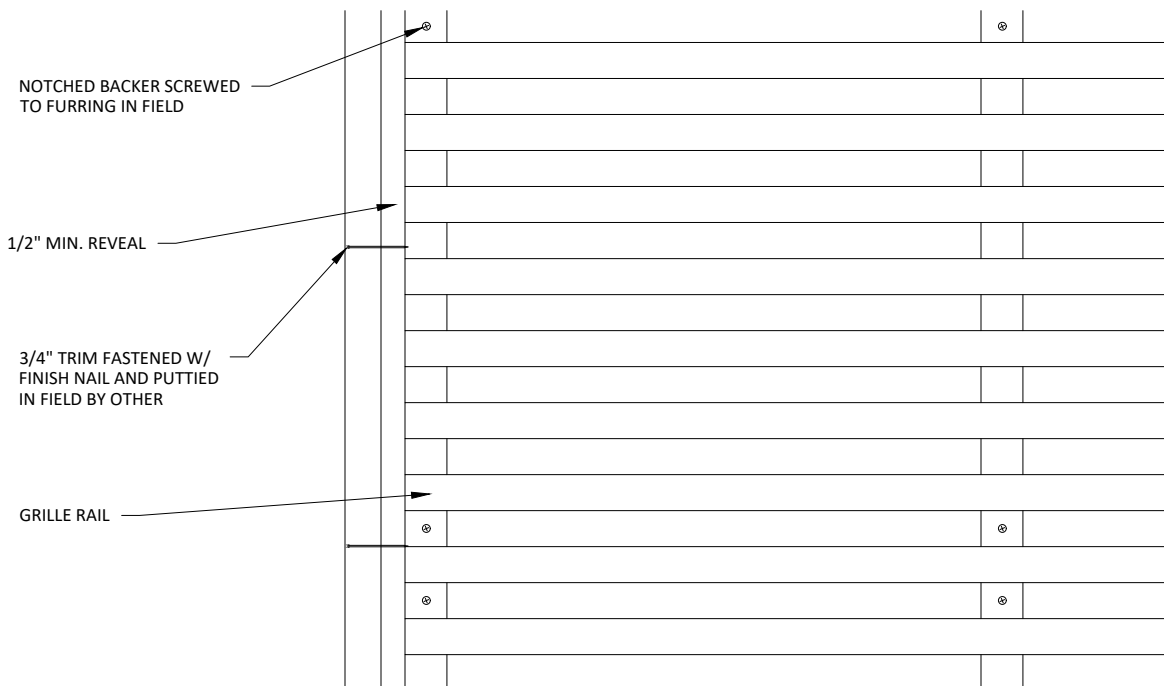
TRIM (OPTIONAL) TO COINCIDE
W/ FURRING THICKNESS; FACE
NAILED & PUTTIED IN FIELD

NOTE: 24" MAXIMUM SCREW/SUPPORT SPACING

1 HORIZONTAL WALL ISOMETRIC - TYP.
1 1/2" = 1'-0"



1 HORIZONTAL WALL PLAN @ TRIM
3" = 1'-0"



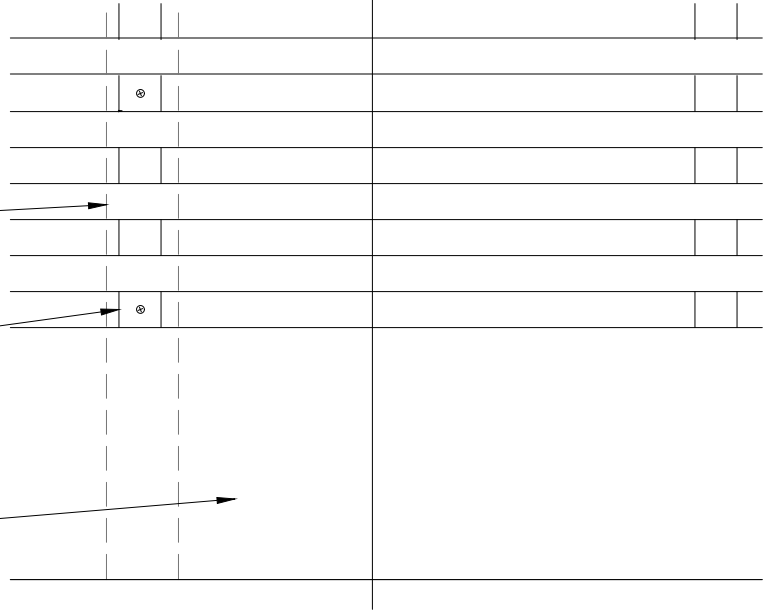
2 HORIZONTAL WALL ELEVATION @ TRIM
3" = 1'-0"

2

FURRING (BY OTHER) TO MATCH ACOUSTICAL BACKER THICKNESS

NOTCHED BACKER SCREWED TO FURRING IN FIELD

BASE AS SCHEDULED (BY OTHER)



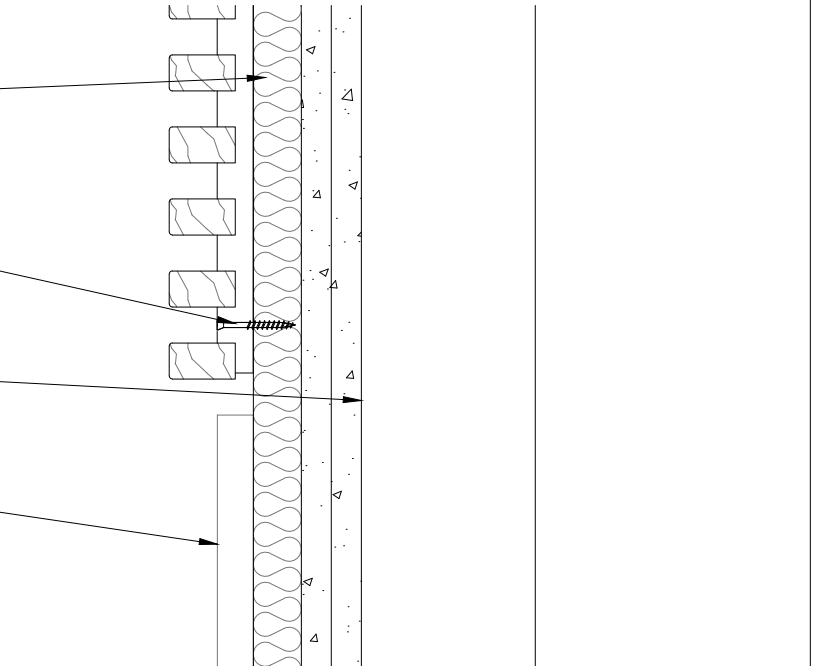
1 HORIZONTAL WALL ELEVATION @ BASEBOARD
3" = 1'-0"

1" ACOUSTICAL BACKER (2" AVAILABLE)

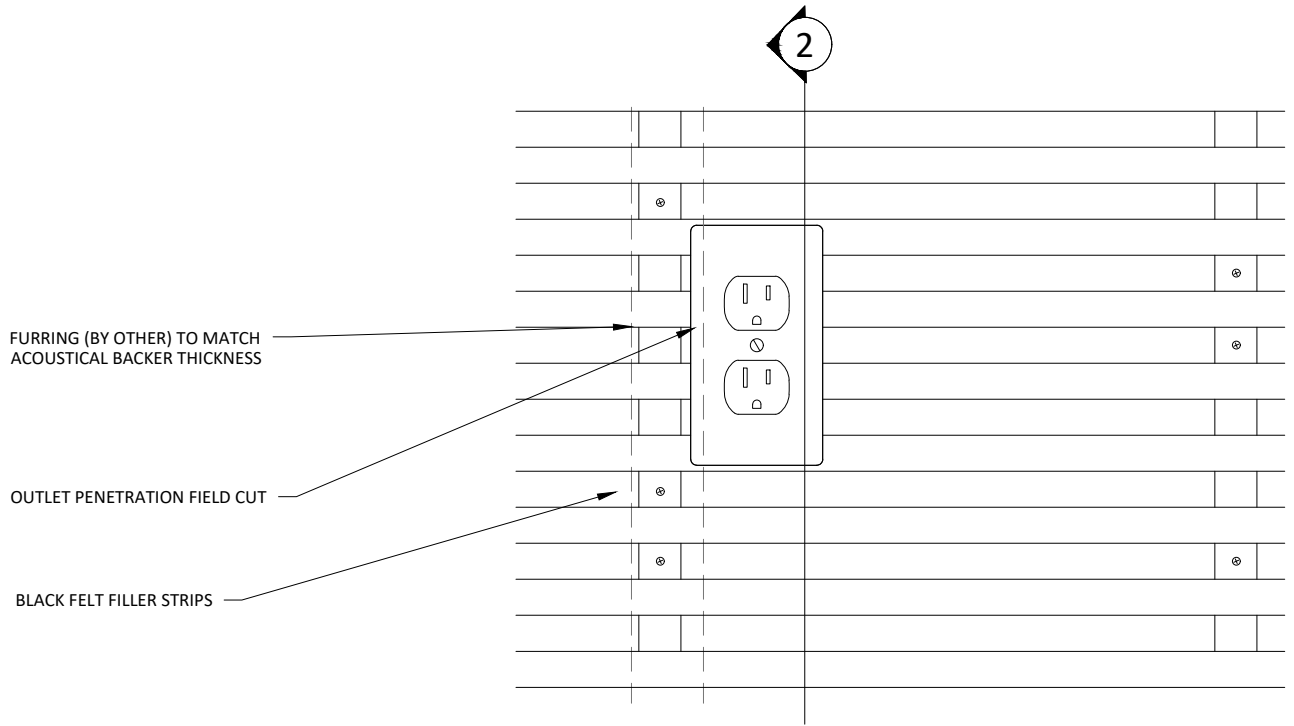
NOTCHED BACKER SCREWED TO FURRING IN FIELD

TYP. WALL SYSTEM (BY OTHER)

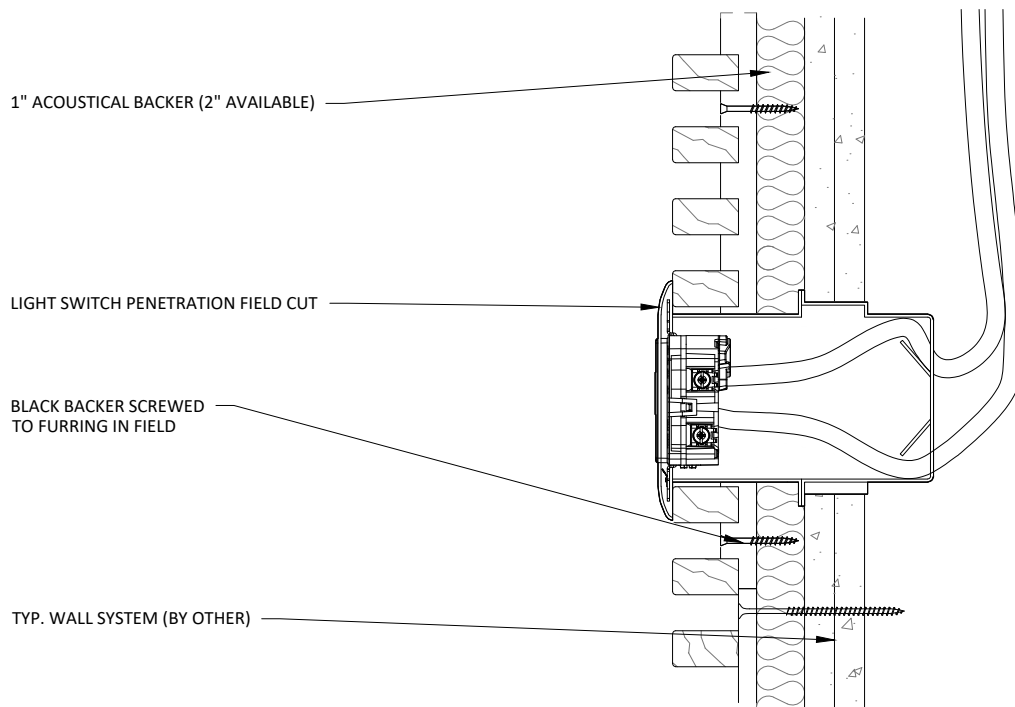
BASE AS SCHEDULED (BY OTHER)



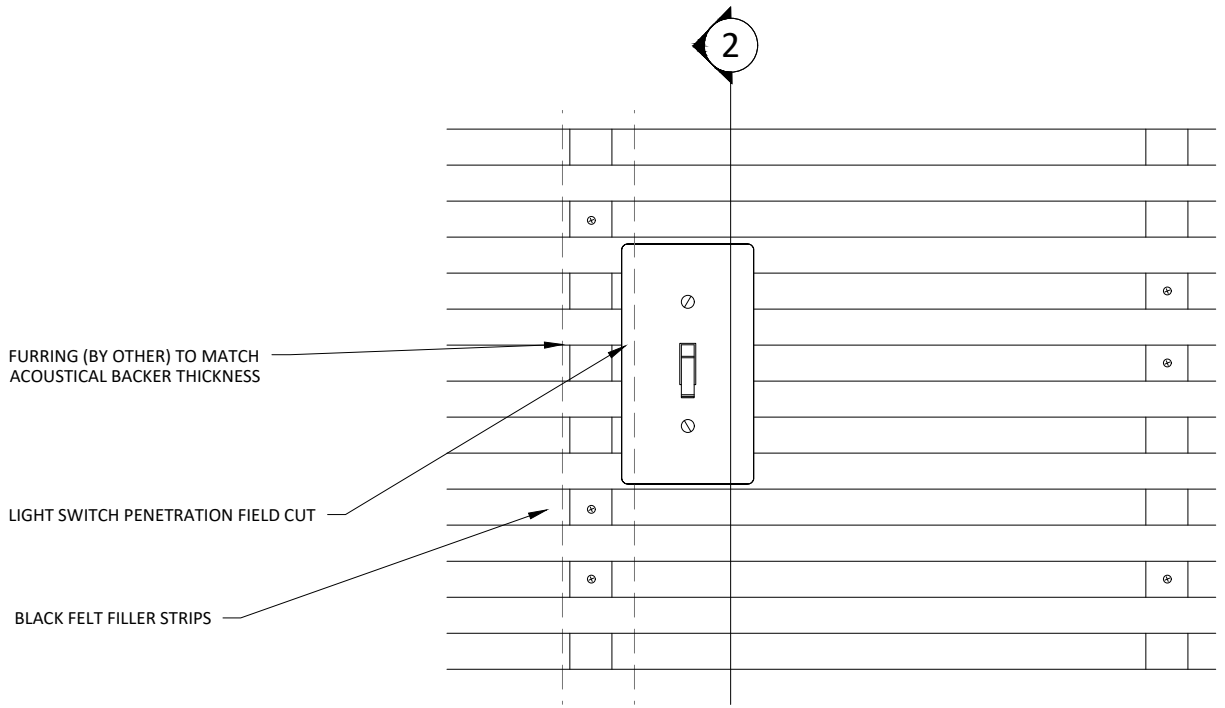
2 HORIZONTAL WALL SECTION @ BASEBOARD
3" = 1'-0"



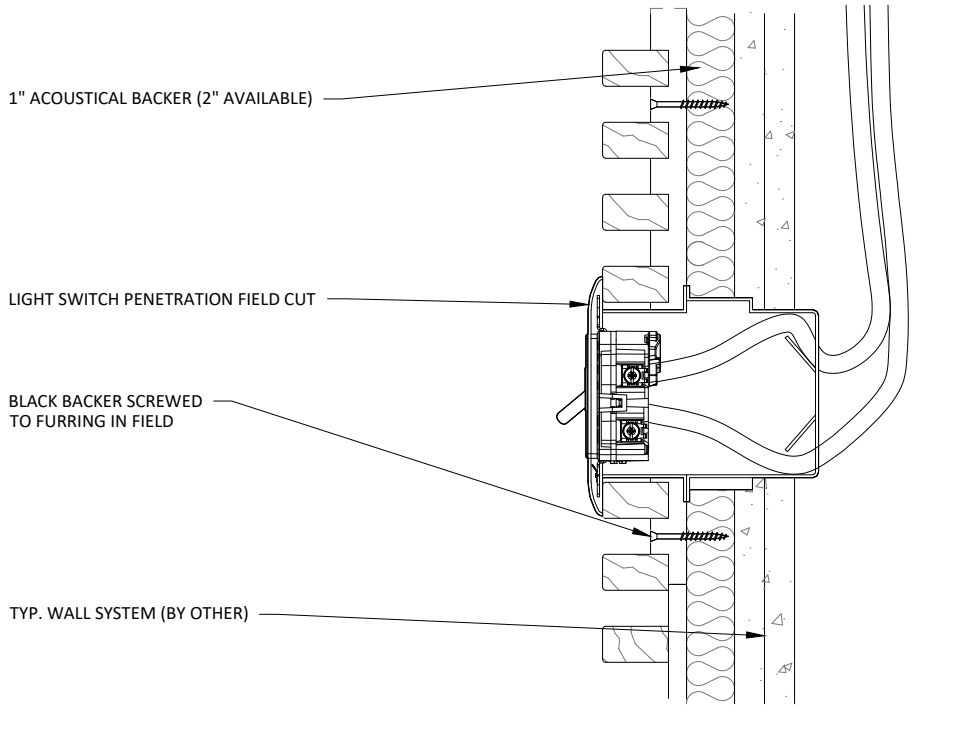
1 HORIZONTAL WALL ELEVATION @ OUTLET
3" = 1'-0"



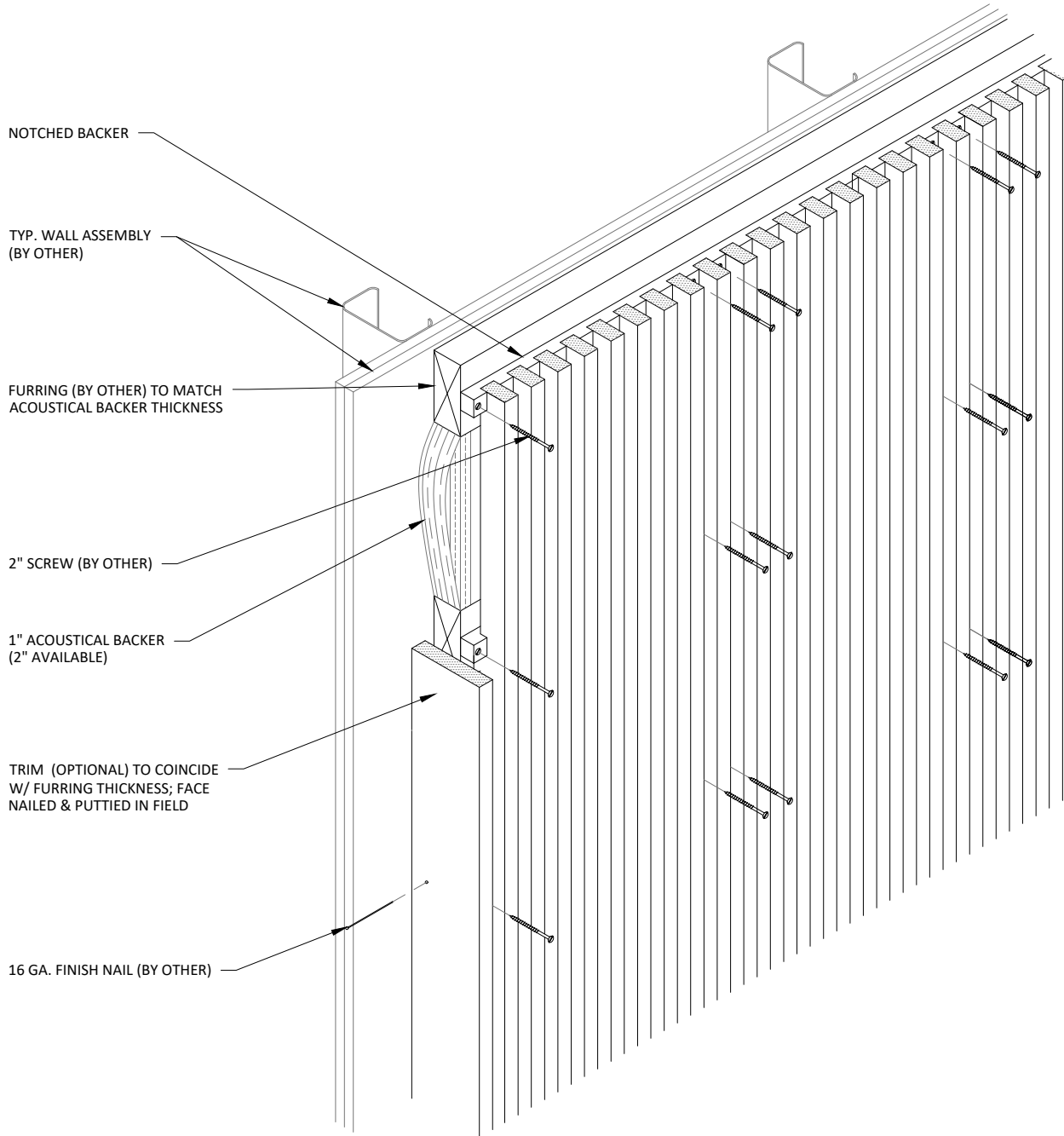
2 HORIZONTAL WALL SECTION @ OUTLET
3" = 1'-0"



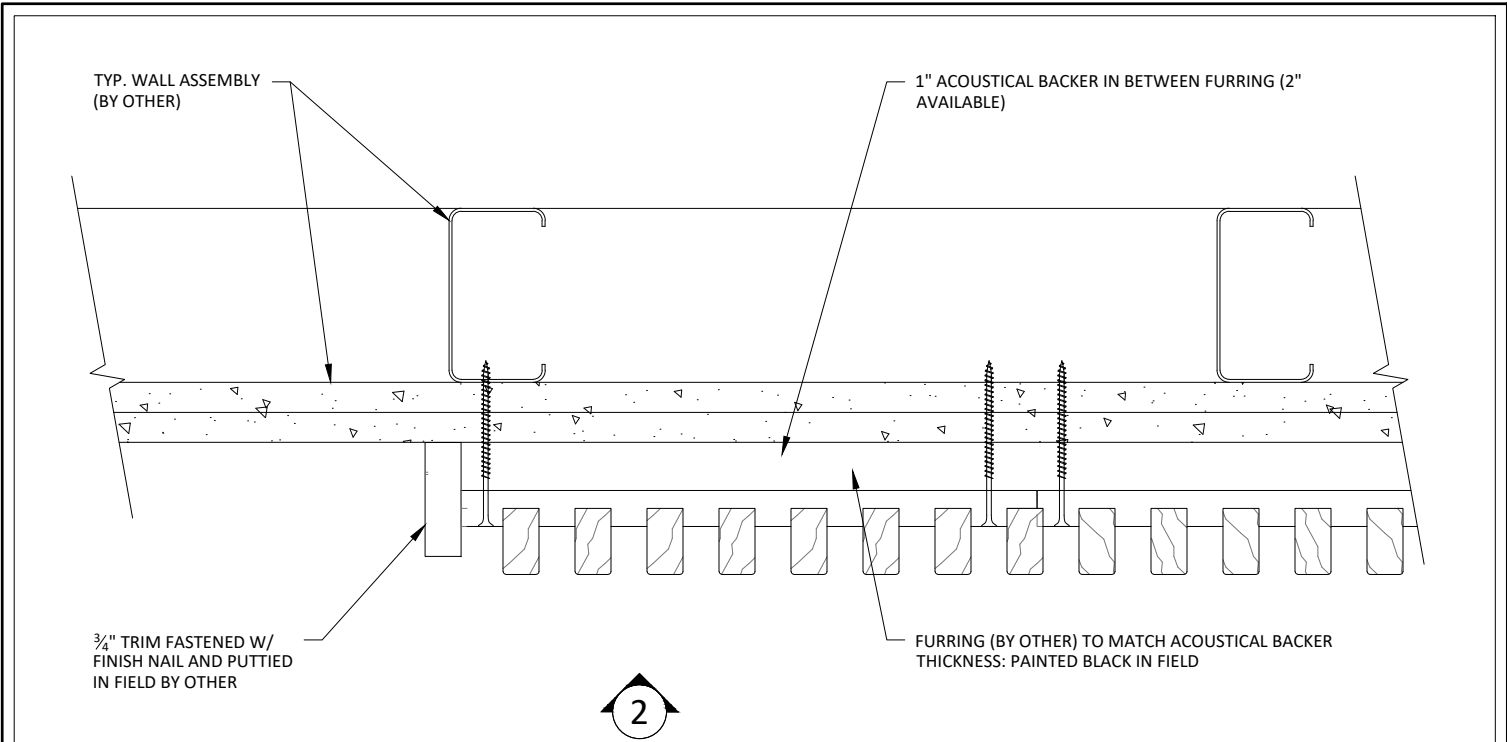
1 HORIZONTAL WALL ELEVATION @ LIGHT SWITCH
3" = 1'-0"



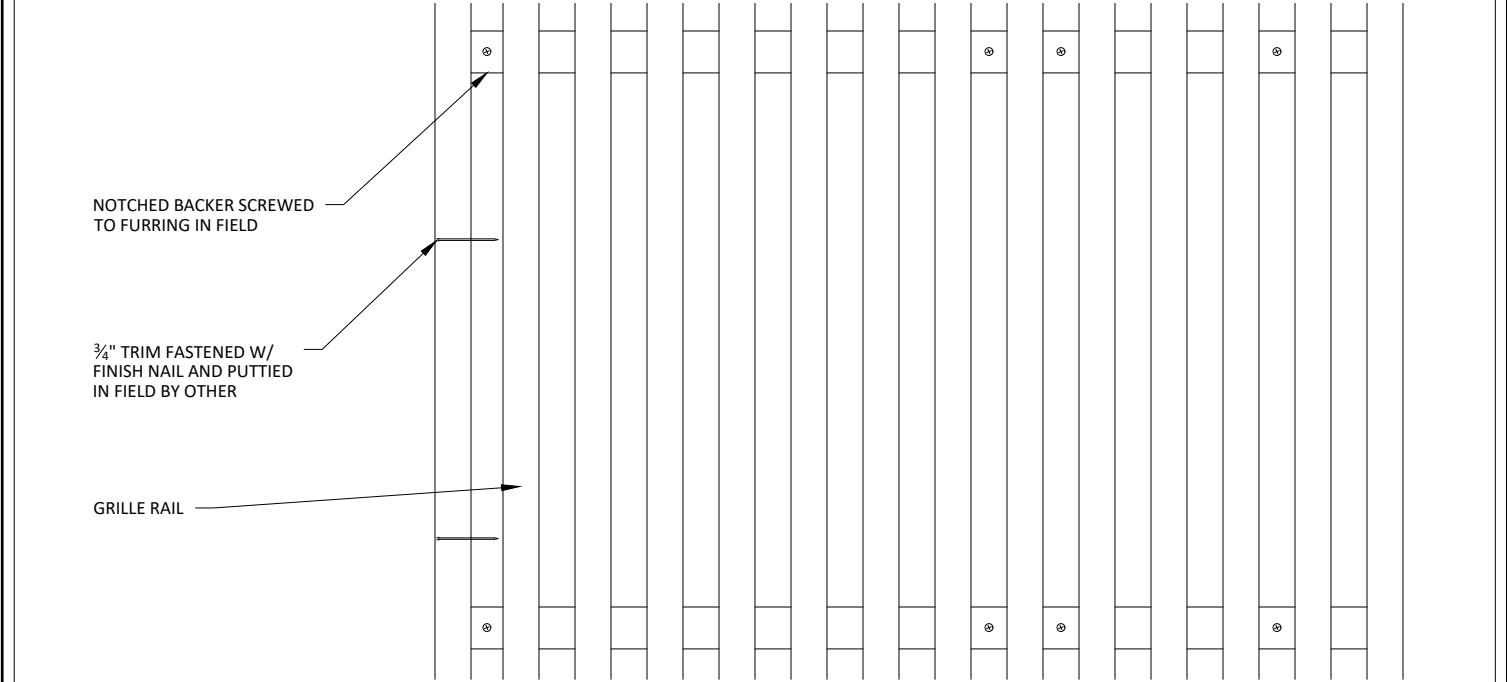
2 HORIZONTAL WALL SECTION @ LIGHT SWITCH
3" = 1'-0"



1 VERTICAL WALL ISOMETRIC - TYP.
 1 1/2" = 1'-0"



1 VERTICAL WALL PLAN @ TRIM
3" = 1'-0"



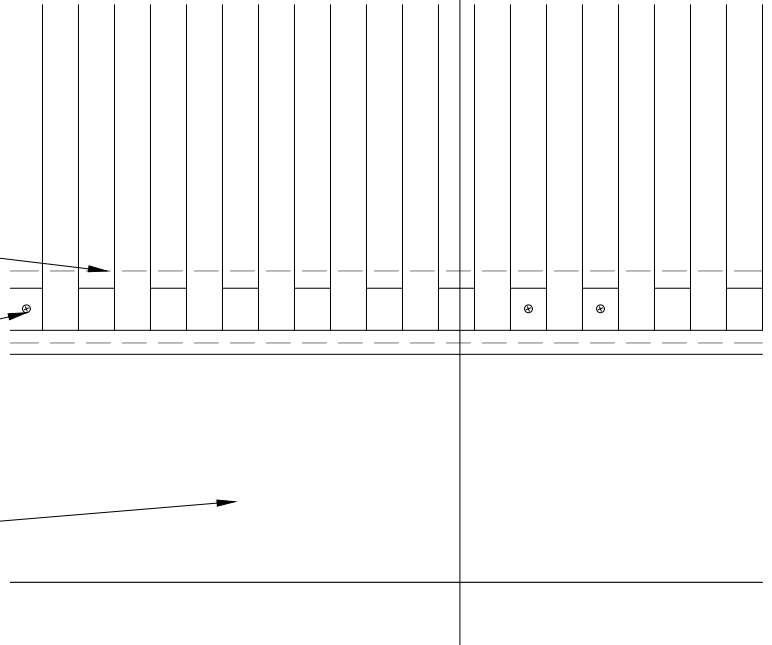
2 VERTICAL WALL ELEVATION @ TRIM
3" = 1'-0"

2

FURRING (BY OTHER) TO MATCH ACOUSTICAL BACKER THICKNESS

NOTCHED BACKER SCREWED TO FURRING IN FIELD

BASE AS SCHEDULED (BY OTHER)



1 VERTICAL WALL ELEVATION @ BASEBOARD

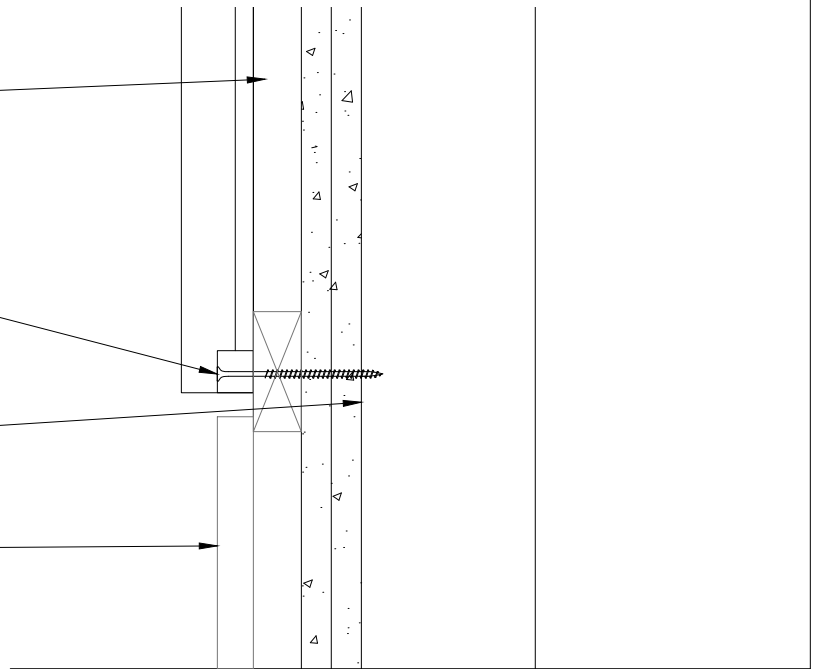
3" = 1'-0"

1" ACOUSTICAL BACKER (2" AVAILABLE)

NOTCHED BACKER SCREWED TO FURRING IN FIELD

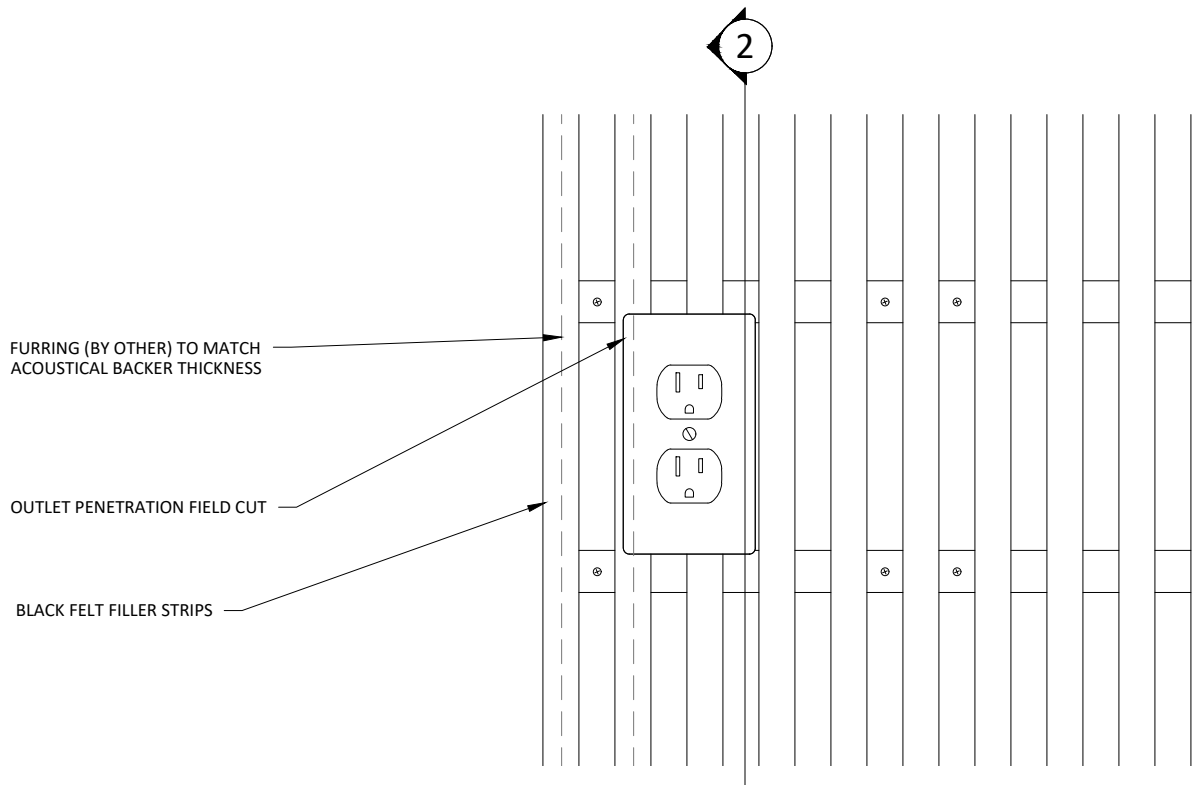
TYP. WALL SYSTEM (BY OTHER)

BASE AS SCHEDULED (BY OTHER)

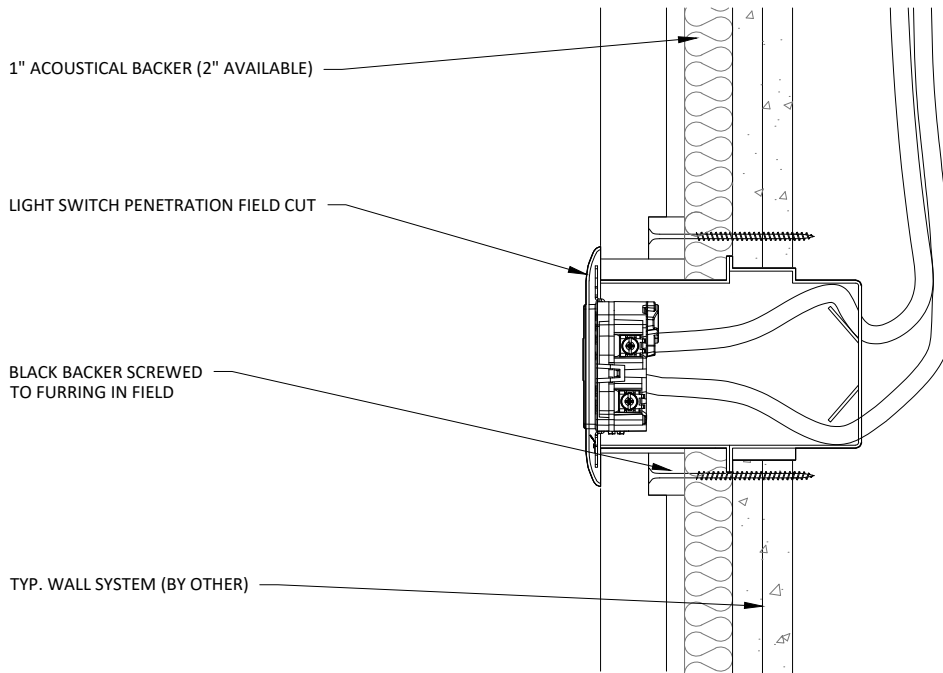


2 VERTICAL WALL SECTION @ BASEBOARD

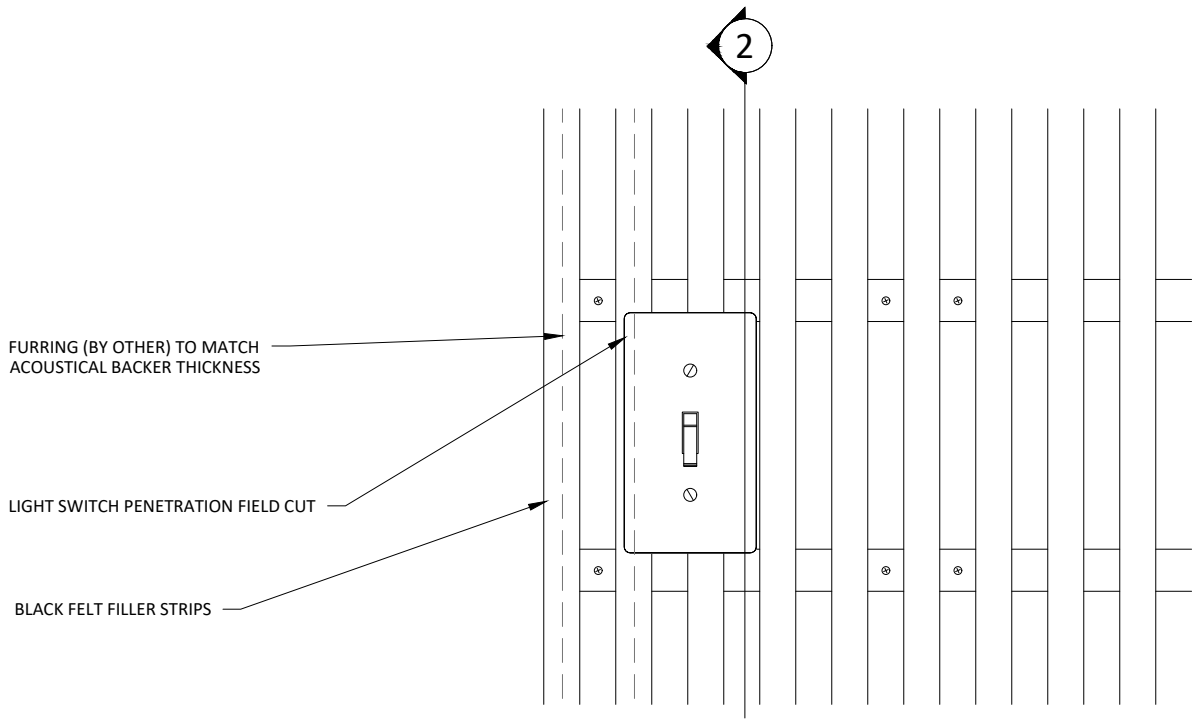
3" = 1'-0"



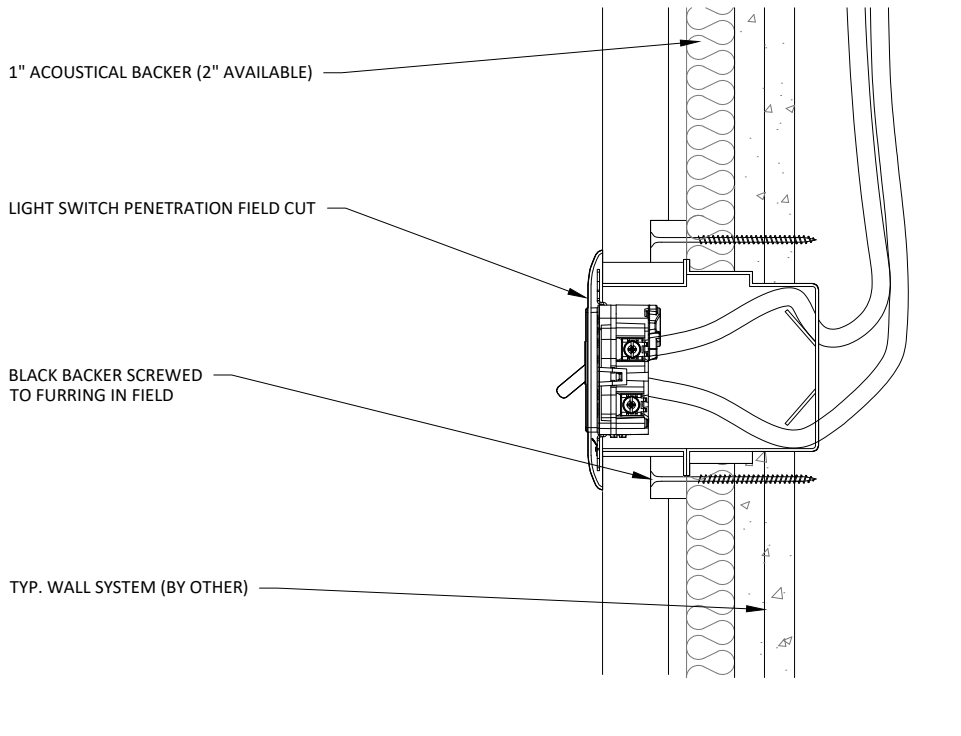
1 VERTICAL WALL ELEVATION @ OUTLET
3" = 1'-0"



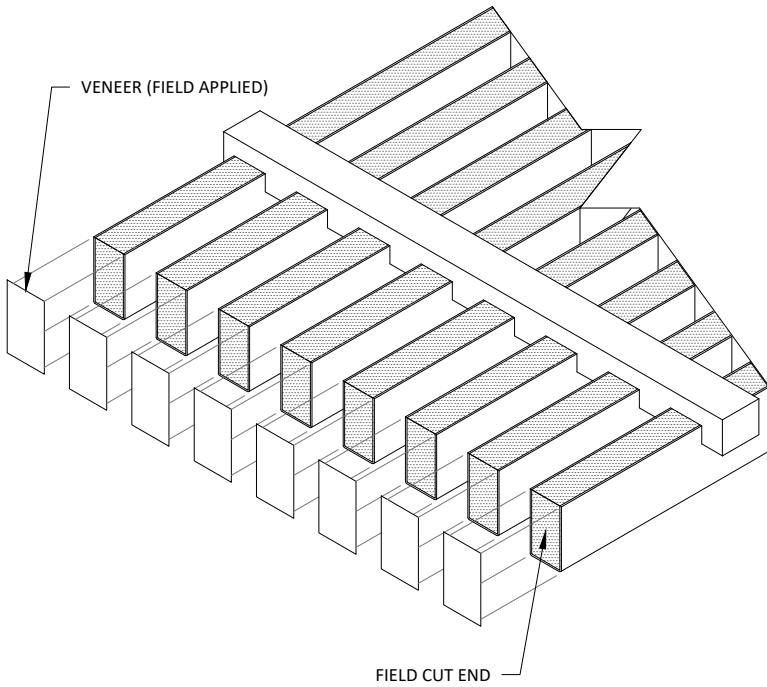
2 VERTICAL WALL SECTION @ OUTLET
3" = 1'-0"



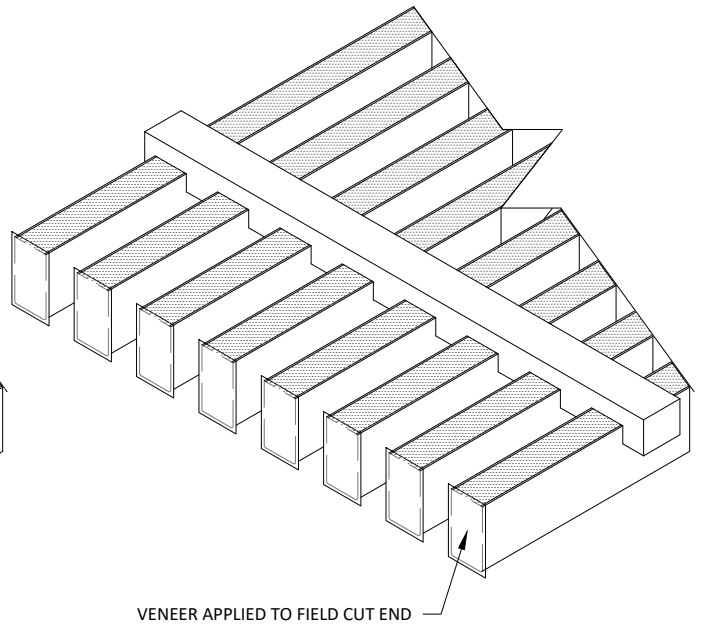
1 VERTICAL WALL ELEVATION @ LIGHT SWITCH
3" = 1'-0"



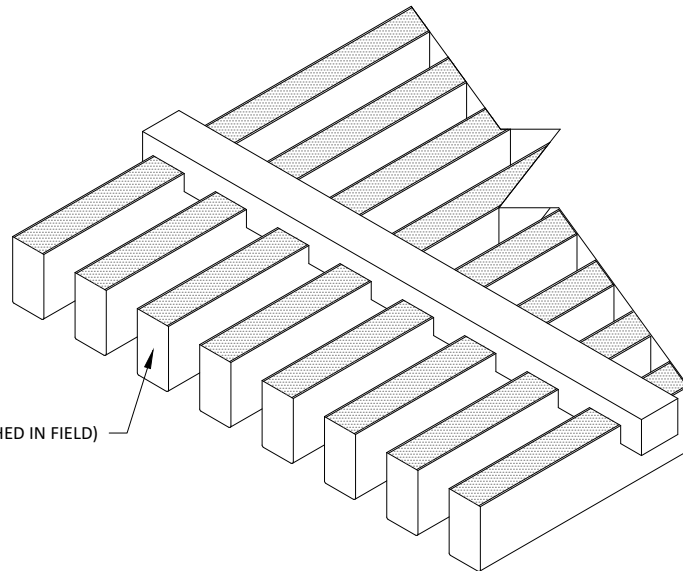
2 VERTICAL WALL SECTION @ LIGHT SWITCH
3" = 1'-0"



1 STEP 1
3" = 1'-0"

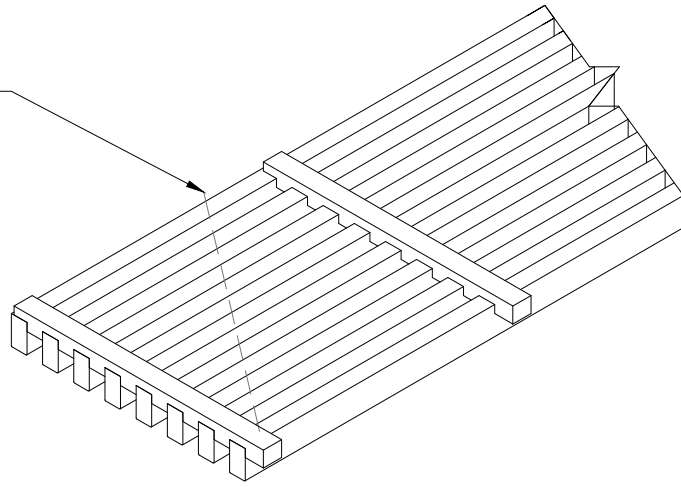


2 STEP 2
3" = 1'-0"



3 STEP 3
3" = 1'-0"

DESIRED FIELD CUT ANGLE

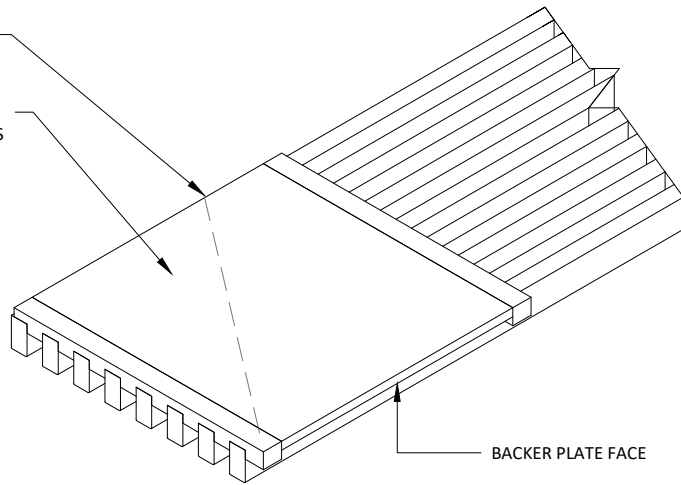


1 ANGLE-CUT STEP 1

1 1/2" = 1'-0"

DESIRED FIELD CUT ANGLE

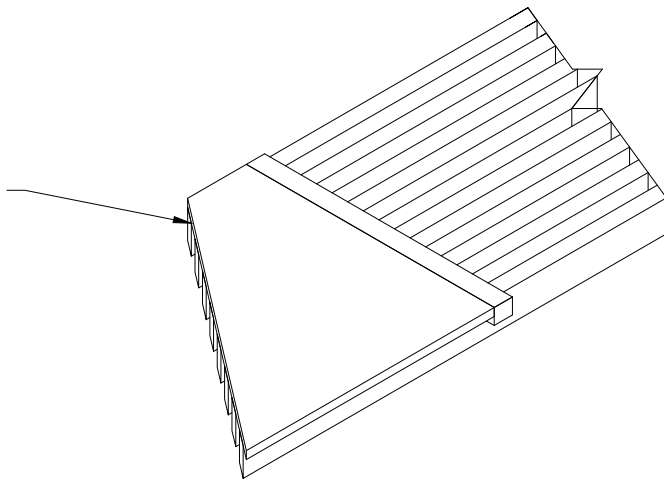
STAPLE 3/8" THICK PLYWOOD BACKER PLATE (BY OTHER) TO GRILLE RAILS. BACKER PLATE IS TO BE PAINTED BLACK ON FACE.



2 ANGLE-CUT STEP 2

1 1/2" = 1'-0"

ONCE BACKER PLATE IS FASTENED TO GRILLE PANEL, CUT DESIRED LINE AND FINISH ENDS AS SHOWN IN THE FIELD FINISHED END INSTRUCTIONS IN THIS STANDARD DETAIL SET



3 ANGLE-CUT STEP 3

1 1/2" = 1'-0"