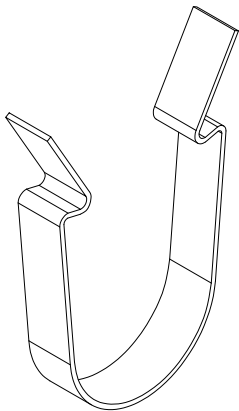
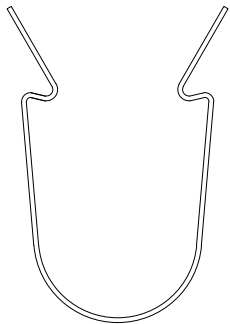


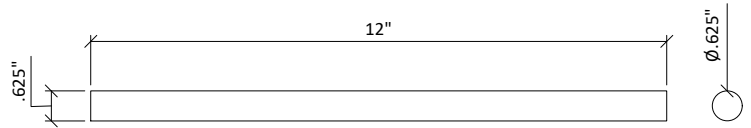
① TYPICAL SECTION VIEW  
3" = 1'-0"



ISOMETRIC

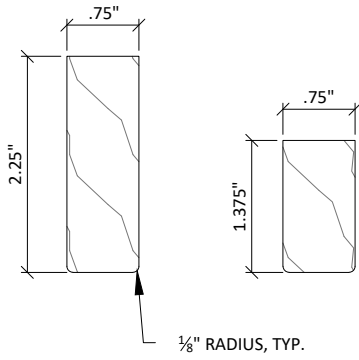


ELEVATION

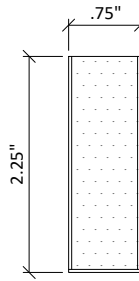


② DOWEL CLIP  
1' = 1'-0"

③ BLACK DOWEL  
3" = 1'-0"



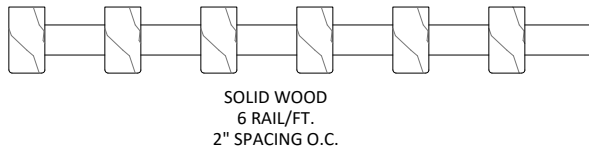
**SOLID WOOD RAIL**



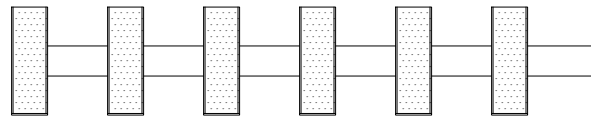
**VENEERED RAIL**

CUSTOM PROFILES AVAILABLE UPON REQUEST

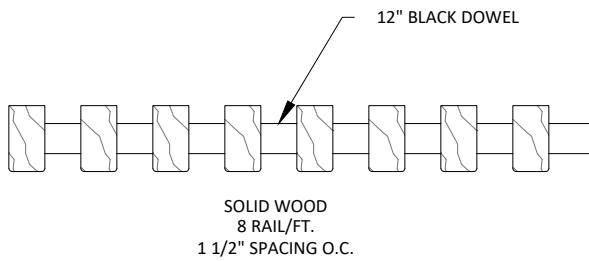
**1 TYPICAL RAIL PROFILES**  
6" = 1'-0"



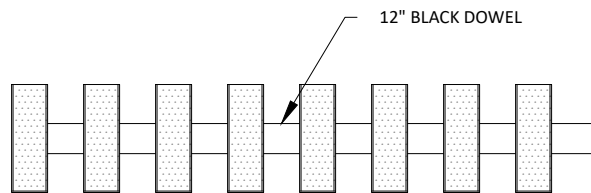
SOLID WOOD  
6 RAIL/FT.  
2" SPACING O.C.



VENEERED  
6 RAIL/FT.  
2" SPACING O.C.



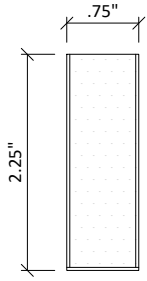
SOLID WOOD  
8 RAIL/FT.  
1 1/2" SPACING O.C.



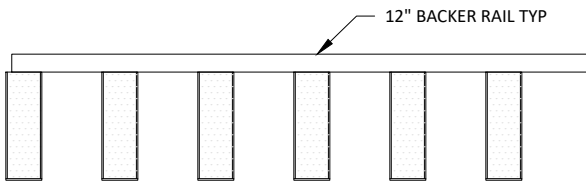
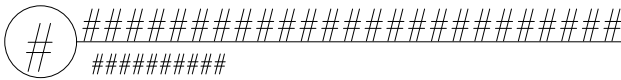
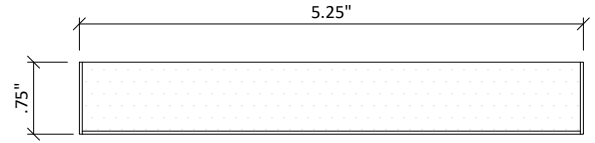
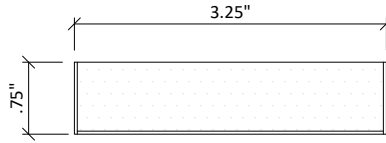
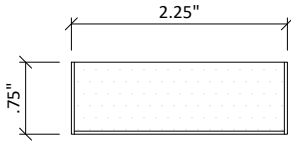
VENEERED  
8 RAIL/FT.  
1 1/2" SPACING O.C.

**2 TYPICAL 12 INCH MODULES**  
3" = 1'-0"

CUSTOM PROFILES AVAILABLE  
UPON REQUEST



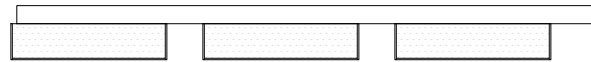
STANDARD RAIL SIZE OPTIONS					
WIDTH	3/4	3/4	2 1/4	3 1/4	5 1/4
HEIGHT	2 1/4	1 3/8	3/4	3/4	3/4



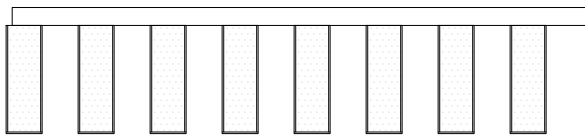
3/4" X 2 1/4" RAILS  
6 RAIL/FT.  
2" SPACING O.C.



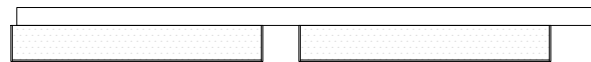
2 1/4" X 3/4" RAILS  
4 RAIL/FT.  
3" SPACING O.C.



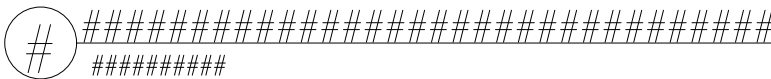
3 1/4" X 3/4" RAILS  
3 RAIL/FT.  
4" SPACING O.C.

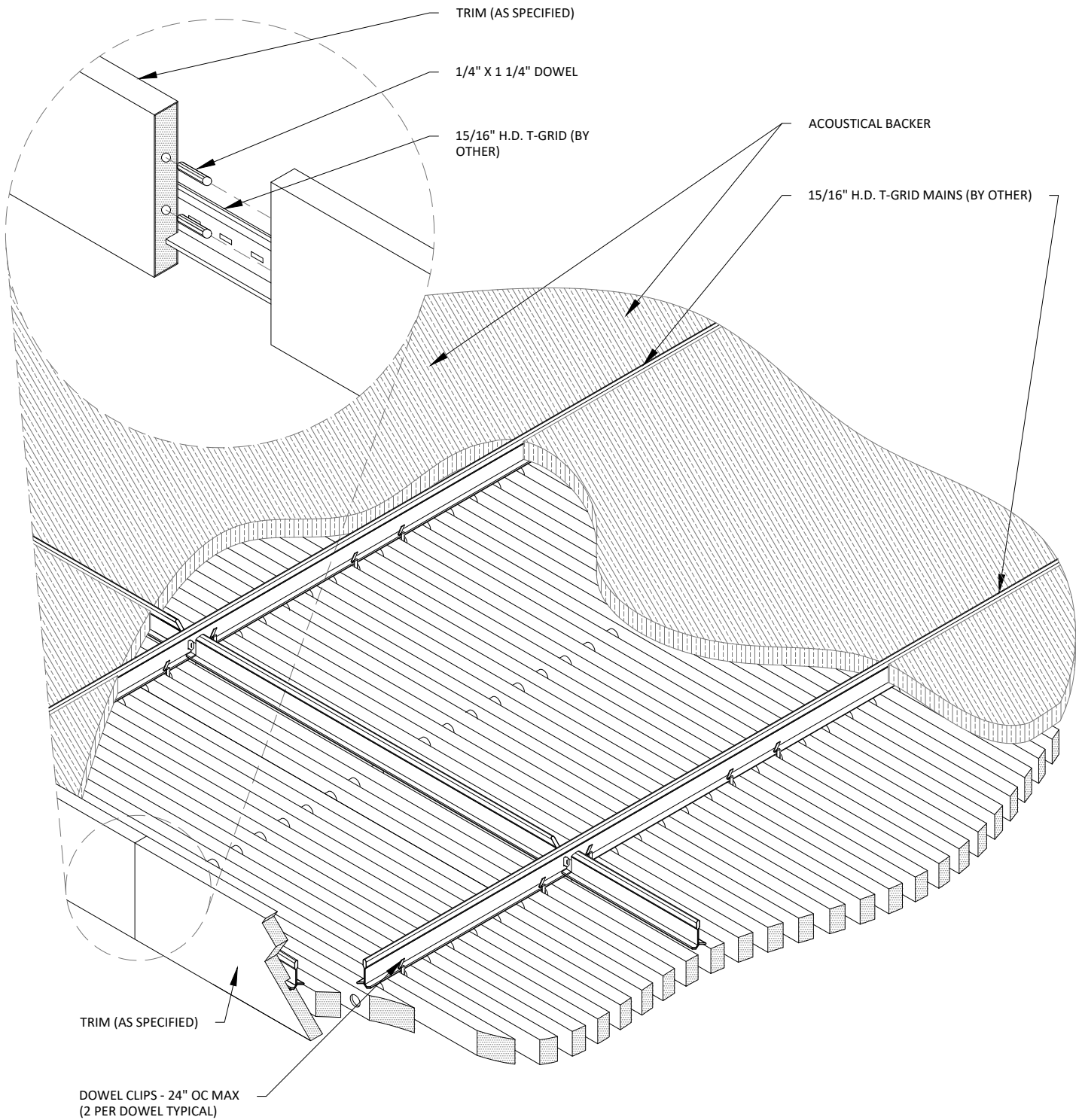


3/4" X 2 1/4" RAILS  
8 RAIL/FT.  
1 1/2" SPACING O.C.

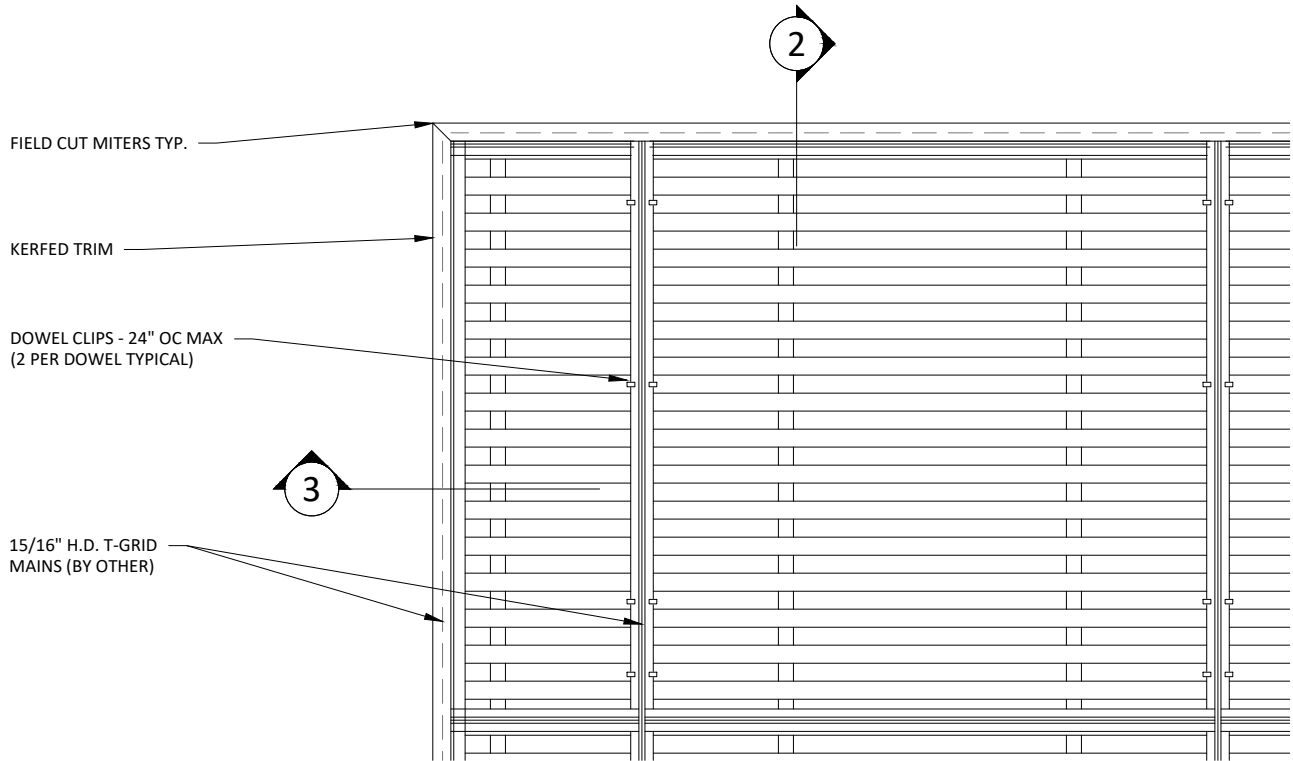


5 1/4" X 3/4" RAILS  
2 RAIL/FT.  
6" SPACING O.C.



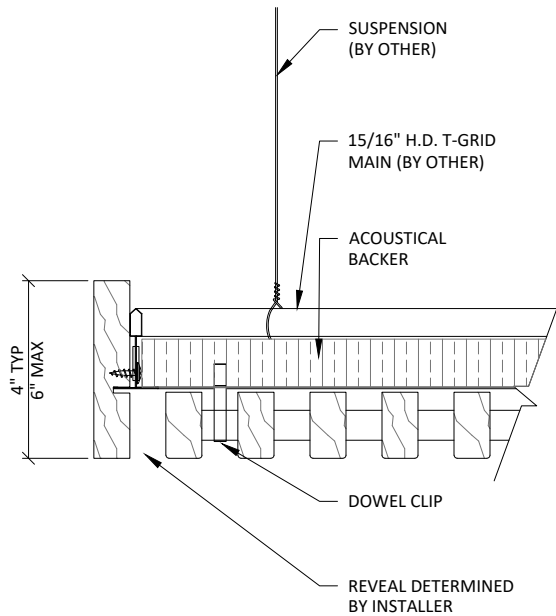


**1** CEILING ISOMETRIC - TYP.  
1 1/2" = 1'-0"

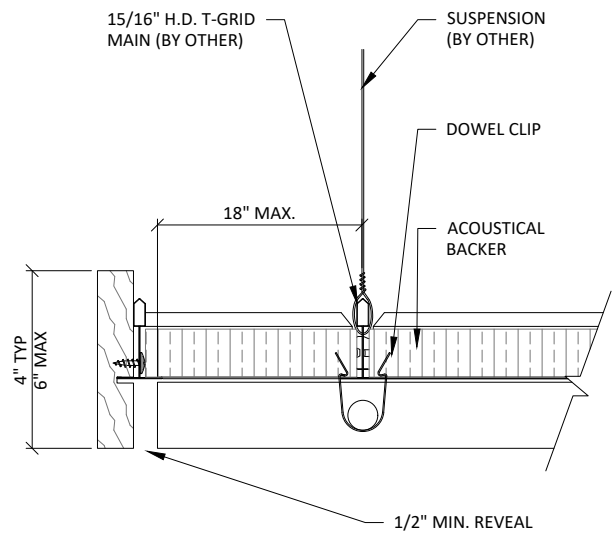


**1** TRIM @ MITERED CORNER - PLAN  
 1 1/2" = 1'-0"

\*\* ALL FIELD CUTS TO ALLOW FOR 1/4" MIN REVEAL FOR EXPANSION & CONTRACTION

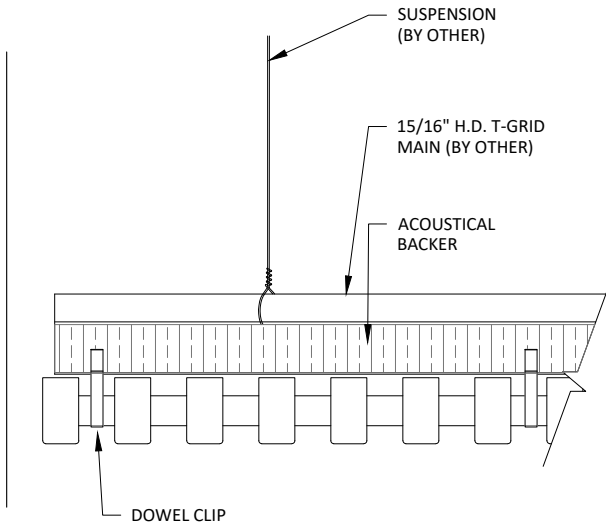


**2** TRIM DETAIL 1  
 3" = 1'-0"

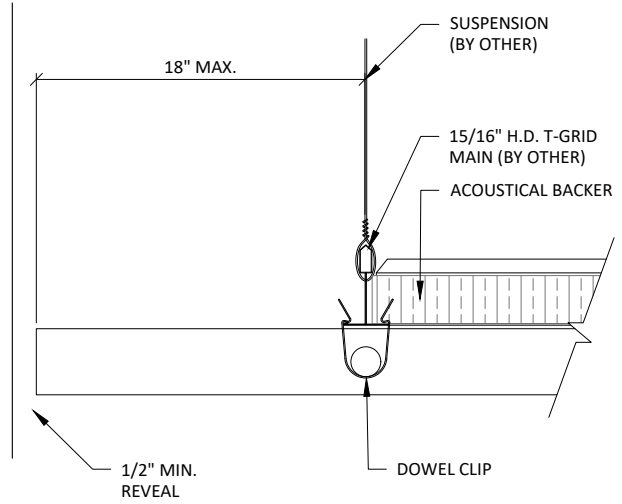


**3** TRIM DETAIL 2  
 3" = 1'-0"

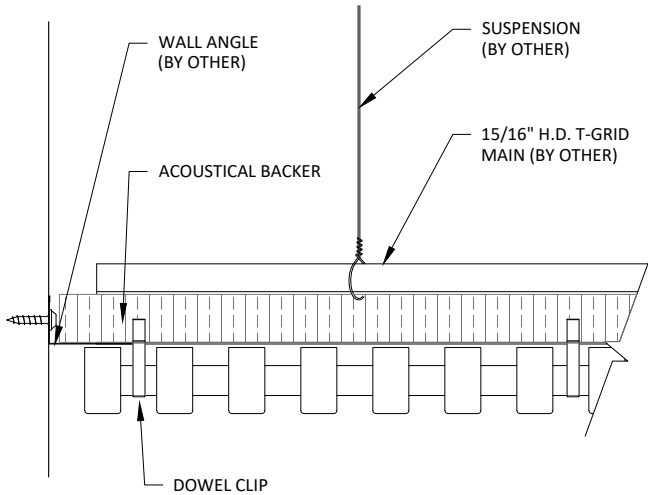
\*\* ALL FIELD CUTS TO ALLOW FOR 1/4" MIN REVEAL FOR EXPANSION & CONTRACTION



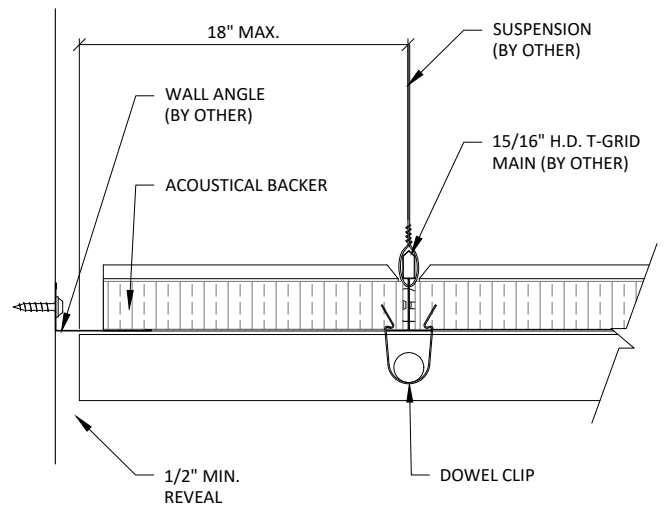
1 EDGE DETAIL 1  
3" = 1'-0"



2 EDGE DETAIL 2  
3" = 1'-0"



3 EDGE DETAIL 3  
3" = 1'-0"



4 EDGE DETAIL 4  
3" = 1'-0"

15/16" HEAVY DUTY  
T-GRID (BY OTHER)  
(2X4 LAYOUT TYP)

INDEPENDENTLY SUPPORTED  
CUSTOMER PROVIDED FIXTURE:  
FIELD CUT PENETRATION

BLACK DOWEL

DOWEL CLIPS - 24" OC MAX  
(2 PER DOWEL TYPICAL)

2

1 SPRINKLER HEAD DETAIL - PLAN VIEW  
1 1/2" = 1'-0"

INDEPENDENTLY SUPPORTED  
CUSTOMER PROVIDED FIXTURE

FIELD CUT

DOWEL CLIPS - 24" OC MAX  
(2 PER DOWEL TYPICAL)

15/16" HEAVY DUTY  
T-GRID (BY OTHER)

SUSPENSION  
(BY OTHER)

TRIM PLATE  
RECOMMENDED  
(BY OTHER)

2 SPRINKLER HEAD DETAIL - SECTION VIEW  
1 1/2" = 1'-0"

15/16" HEAVY DUTY  
T-GRID (BY OTHER)  
(2X4 LAYOUT TYP)

INDEPENDENTLY SUPPORTED  
CUSTOMER PROVIDED FIXTURE:  
FIELD CUT PENETRATION

BLACK DOWEL

DOWEL CLIPS - 24" OC MAX  
(2 PER DOWEL TYPICAL)

2

1 CAN LIGHT DETAIL - PLAN VIEW  
1 1/2" = 1'-0"

INDEPENDENTLY SUPPORTED  
CUSTOMER PROVIDED FIXTURE

FIELD CUT

DOWEL CLIPS - 24" OC MAX  
(2 PER DOWEL TYPICAL)

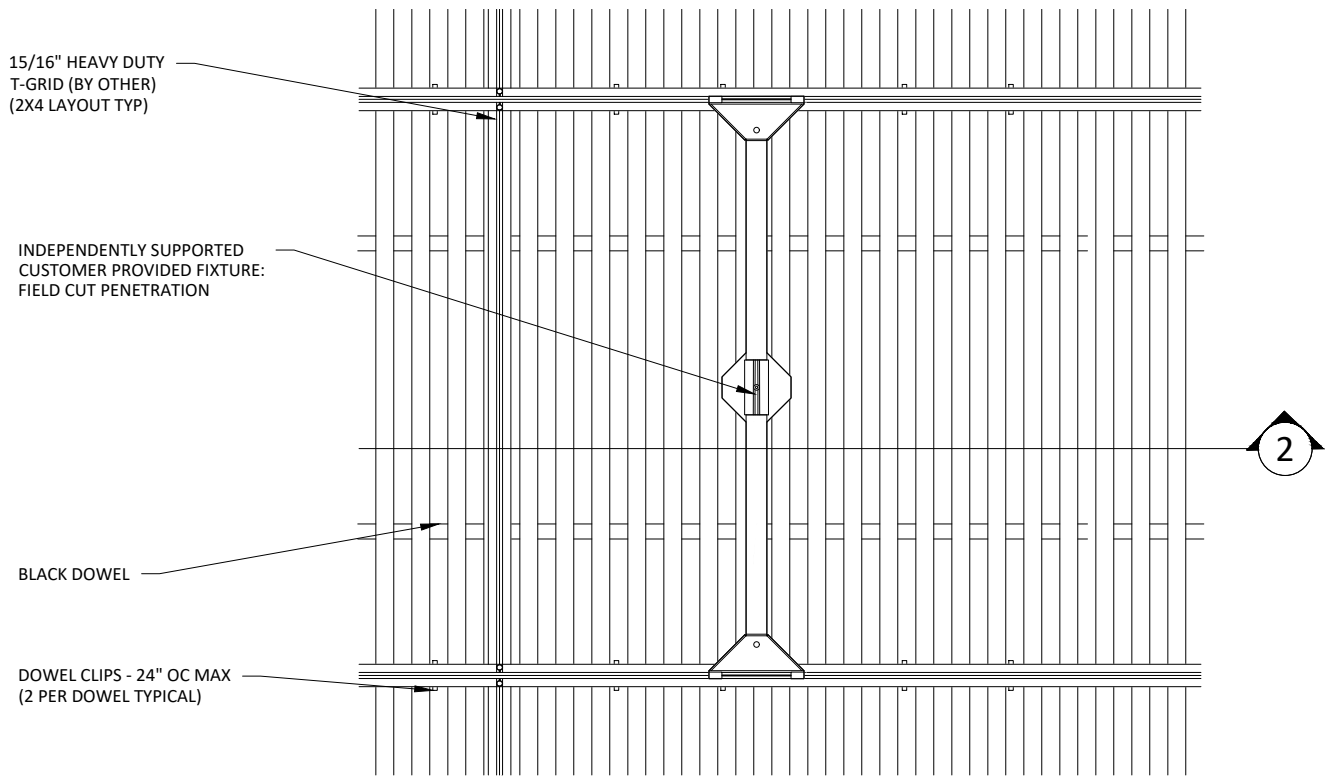
15/16" HEAVY DUTY  
T-GRID (BY OTHER)

SUSPENSION  
(BY OTHER)

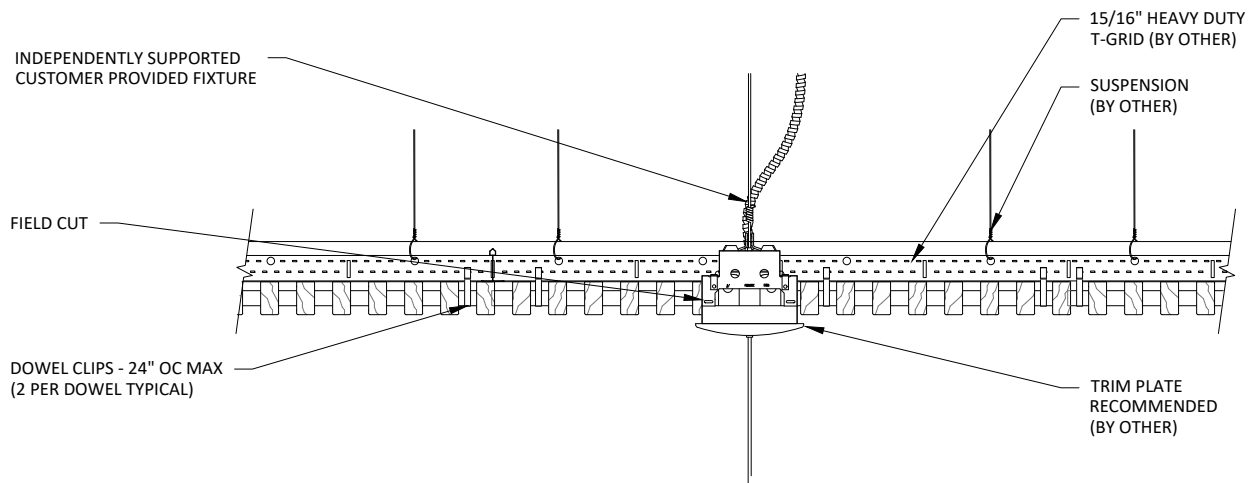
TRIM PLATE  
RECOMMENDED  
(BY OTHER)

2 CAN LIGHT DETAIL - SECTION VIEW  
1 1/2" = 1'-0"





**1** PENDANT LIGHT DETAIL - PLAN VIEW  
 1 1/2" = 1'-0"



**2** PENDANT LIGHT DETAIL - SECTION VIEW  
 1 1/2" = 1'-0"

15/16" HEAVY DUTY  
T-GRID (BY OTHER)  
(2X4 LAYOUT TYP)

INDEPENDENTLY SUPPORTED  
CUSTOMER PROVIDED FIXTURE:  
FIELD CUT PENETRATION

BLACK DOWEL

DOWEL CLIPS - 24" OC MAX  
(2 PER DOWEL TYPICAL)

2

1

### RECESSED SPEAKER DETAIL - PLAN VIEW

1 1/2" = 1'-0"

INDEPENDENTLY SUPPORTED  
CUSTOMER PROVIDED FIXTURE

FIELD CUT

DOWEL CLIPS - 24" OC MAX  
(2 PER DOWEL TYPICAL)

15/16" HEAVY DUTY  
T-GRID (BY OTHER)

SUSPENSION  
(BY OTHER)

TRIM PLATE  
RECOMMENDED  
(BY OTHER)

2

### RECESSED SPEAKER DETAIL - SECTION VIEW

1 1/2" = 1'-0"

15/16" HEAVY DUTY  
T-GRID (BY OTHER)  
(2X4 LAYOUT TYP)

INDEPENDENTLY SUPPORTED  
CUSTOMER PROVIDED FIXTURE:  
FIELD CUT PENETRATION

BLACK DOWEL

DOWEL CLIPS - 24" OC MAX  
(2 PER DOWEL TYPICAL)

2

1 DIFFUSER DETAIL - PLAN VIEW

1 1/2" = 1'-0"

INDEPENDENTLY SUPPORTED  
CUSTOMER PROVIDED FIXTURE

FIELD CUT

DOWEL CLIPS - 24" OC MAX  
(2 PER DOWEL TYPICAL)

15/16" HEAVY DUTY  
T-GRID (BY OTHER)

SUSPENSION  
(BY OTHER)

TRIM PLATE  
RECOMMENDED  
(BY OTHER)

2 DIFFUSER DETAIL - SECTION VIEW

1 1/2" = 1'-0"

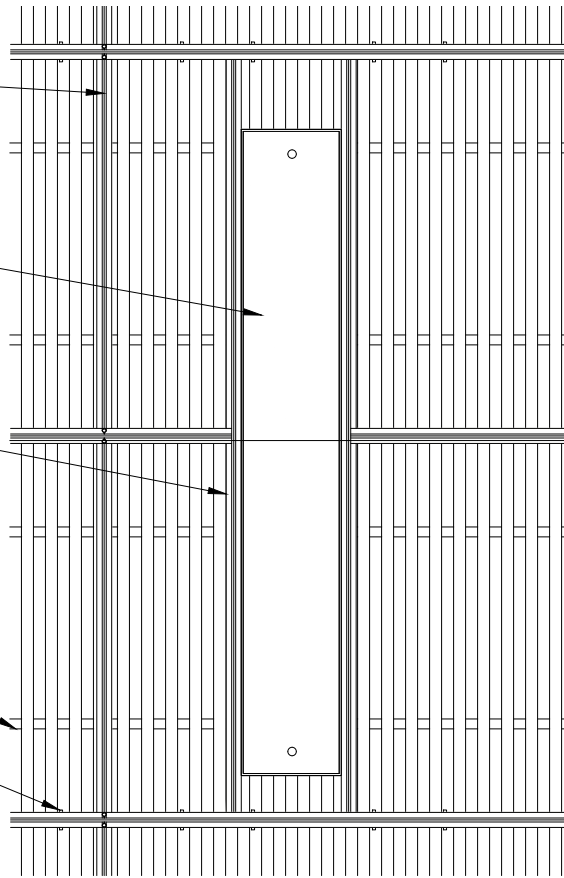
15/16" HEAVY DUTY  
T-GRID (BY OTHER)  
(2X4 LAYOUT TYP)

INDEPENDENTLY SUPPORTED  
LINEAR LIGHT: FIELD CUT  
PENETRATION

STUB-IN GRID AS NECESSARY

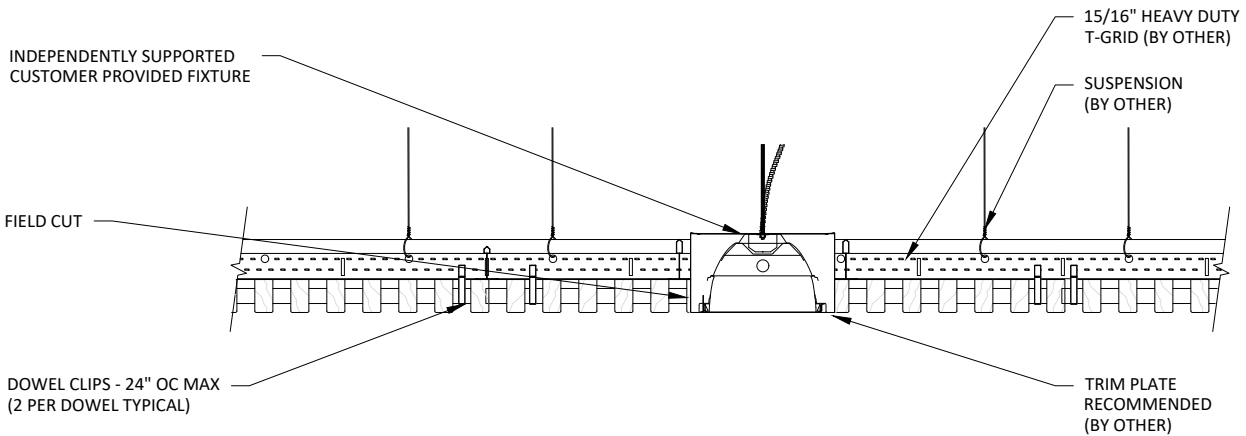
BLACK DOWEL

DOWEL CLIPS - 24" OC MAX  
(2 PER DOWEL TYPICAL)



2

1 LINEAR LIGHT DETAIL - PLAN VIEW  
1" = 1'-0"



2 LINEAR LIGHT DETAIL - SECTION VIEW  
1 1/2" = 1'-0"

ACOUSTICAL BACKER

TYP. WALL ASSEMBLY  
(BY OTHER)

FURRING (BY OTHER) TO MATCH  
ACOUSTICAL BACKER THICKNESS:  
PAINTED BLACK IN FIELD

BLACK DOWEL

2" SCREW (BY OTHER) TYP.

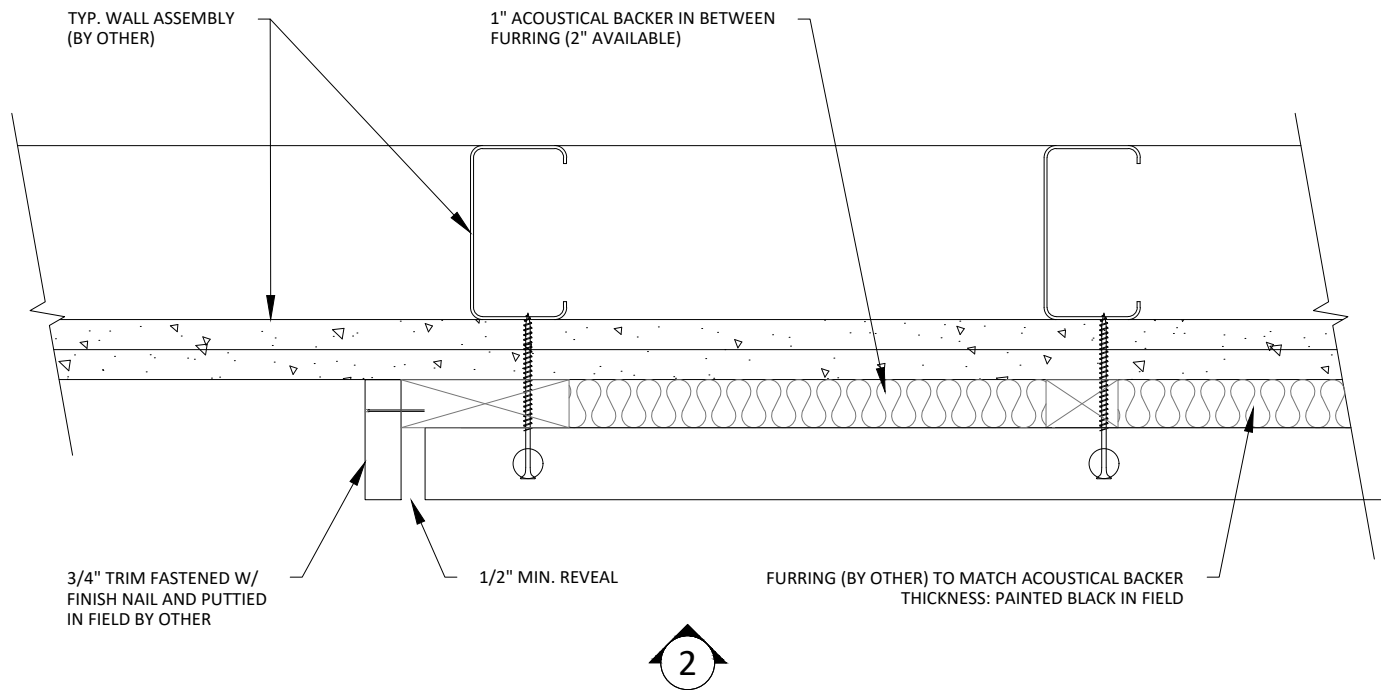
1/2" REVEAL FOR  
EXPANSION &  
CONTRACTION

16 GA. FINISH NAIL (BY OTHER)

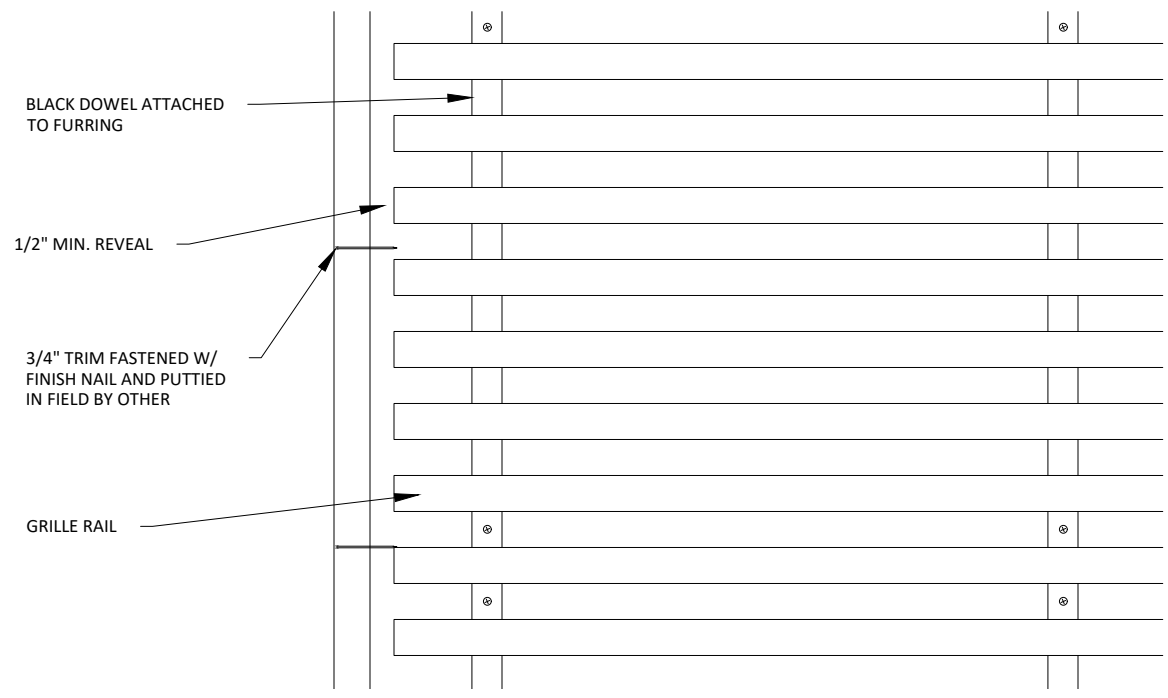
TRIM (OPTIONAL) TO COINCIDE  
W/ FURRING THICKNESS; FACE  
NAILED & PUTTIED IN FIELD

NOTE: 24" MAXIMUM SCREW/SUPPORT SPACING

**1** HORIZONTAL WALL ISOMETRIC - TYP.  
1 1/2" = 1'-0"



1 HORIZONTAL WALL PLAN @ TRIM  
3" = 1'-0"



2 HORIZONTAL WALL ELEVATION @ TRIM  
3" = 1'-0"

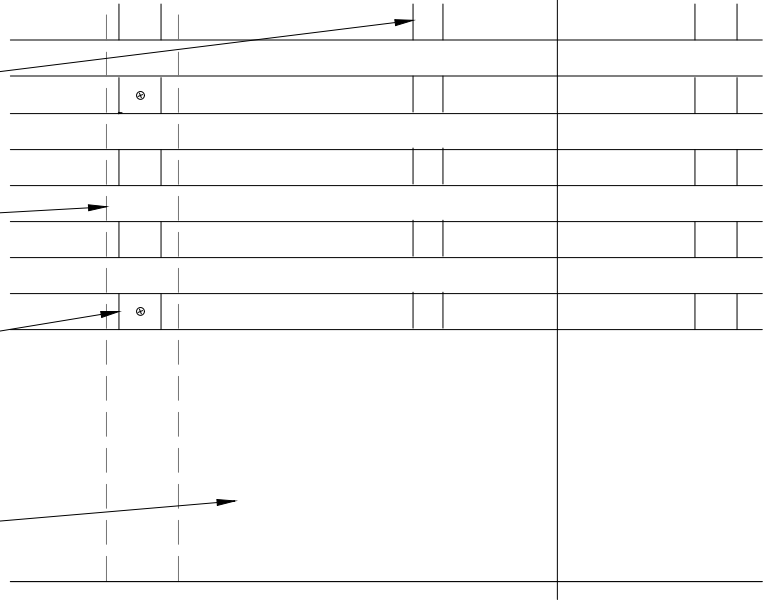
2

BLACK DOWEL

FURRING (BY OTHER) TO MATCH ACOUSTICAL BACKER THICKNESS

BLACK DOWEL SCREWED TO FURRING IN FIELD

BASE AS SCHEDULED (BY OTHER)



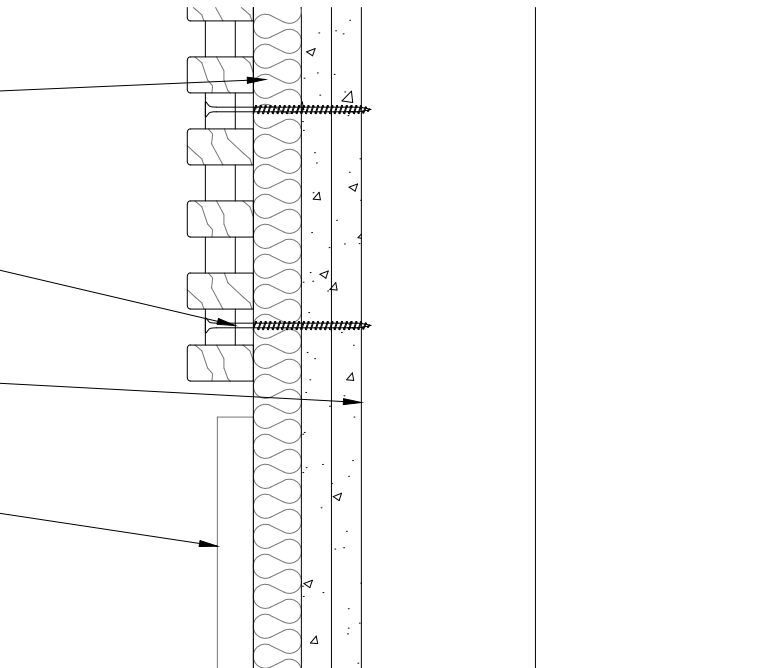
**1** HORIZONTAL WALL ELEVATION @ BASEBOARD  
3" = 1'-0"

1" ACOUSTICAL BACKER (2" AVAILABLE)

BLACK DOWEL SCREWED TO FURRING IN FIELD

TYP. WALL SYSTEM (BY OTHER)

BASE AS SCHEDULED (BY OTHER)



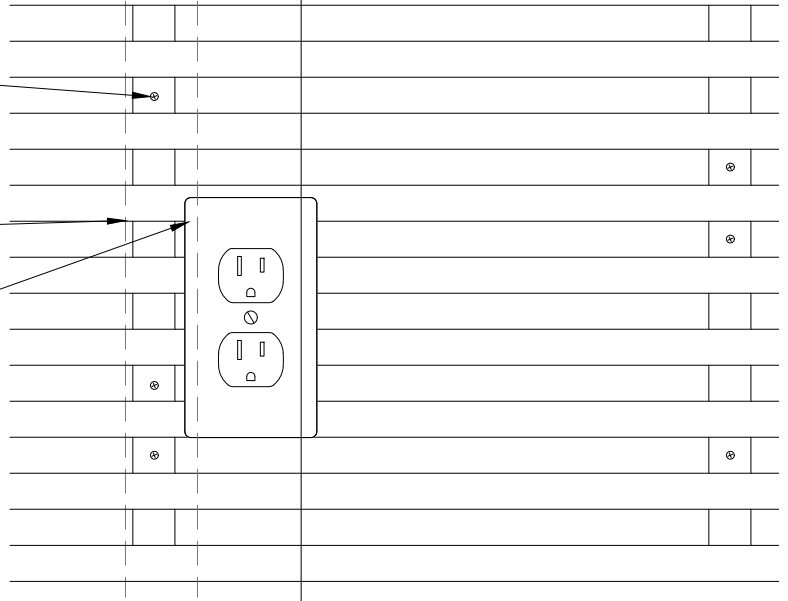
**2** HORIZONTAL WALL SECTION @ BASEBOARD  
3" = 1'-0"

2

BLACK DOWEL SCREWED TO FURRING IN FIELD

FURRING (BY OTHER) TO MATCH ACOUSTICAL BACKER THICKNESS

OUTLET PENETRATION FIELD CUT



1

HORIZONTAL WALL ELEVATION @ OUTLET

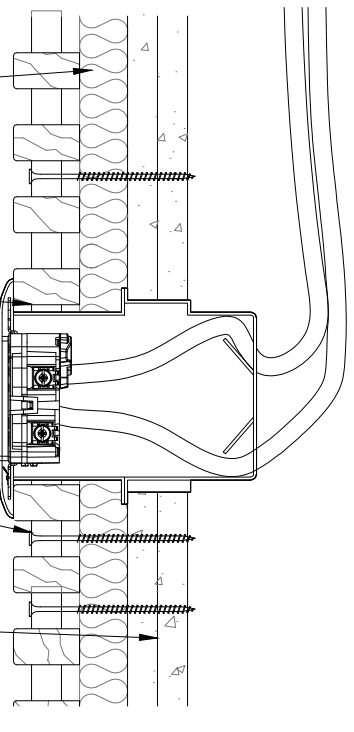
3" = 1'-0"

1" ACOUSTICAL BACKER (2" AVAILABLE)

OUTLET PENETRATION FIELD CUT

BLACK DOWEL SCREWED TO FURRING IN FIELD

TYP. WALL SYSTEM (BY OTHER)



2

HORIZONTAL WALL SECTION @ OUTLET

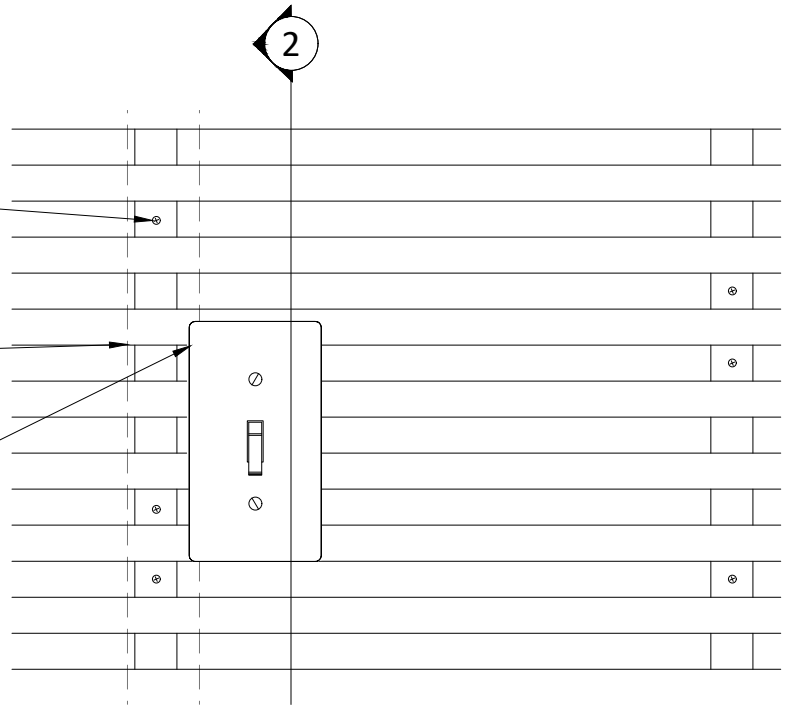
3" = 1'-0"



BLACK DOWEL SCREWED TO FURRING IN FIELD

FURRING (BY OTHER) TO MATCH ACOUSTICAL BACKER THICKNESS

LIGHT SWITCH PENETRATION FIELD CUT



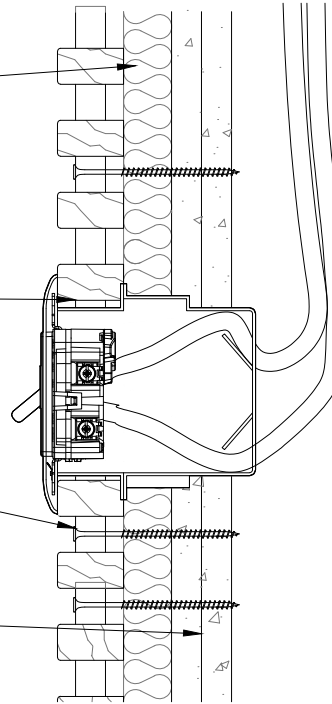
1 HORIZONTAL WALL ELEVATION @ LIGHT SWITCH  
3" = 1'-0"

1" ACOUSTICAL BACKER (2" AVAILABLE)

LIGHT SWITCH PENETRATION FIELD CUT

BLACK DOWEL SCREWED TO FURRING IN FIELD

TYP. WALL SYSTEM (BY OTHER)



2 HORIZONTAL WALL SECTION @ LIGHT SWITCH  
3" = 1'-0"

BLACK DOWEL

TYP. WALL ASSEMBLY  
(BY OTHER)

FURRING (BY OTHER) TO MATCH  
ACOUSTICAL BACKER THICKNESS:  
PAINTED BLACK IN FIELD

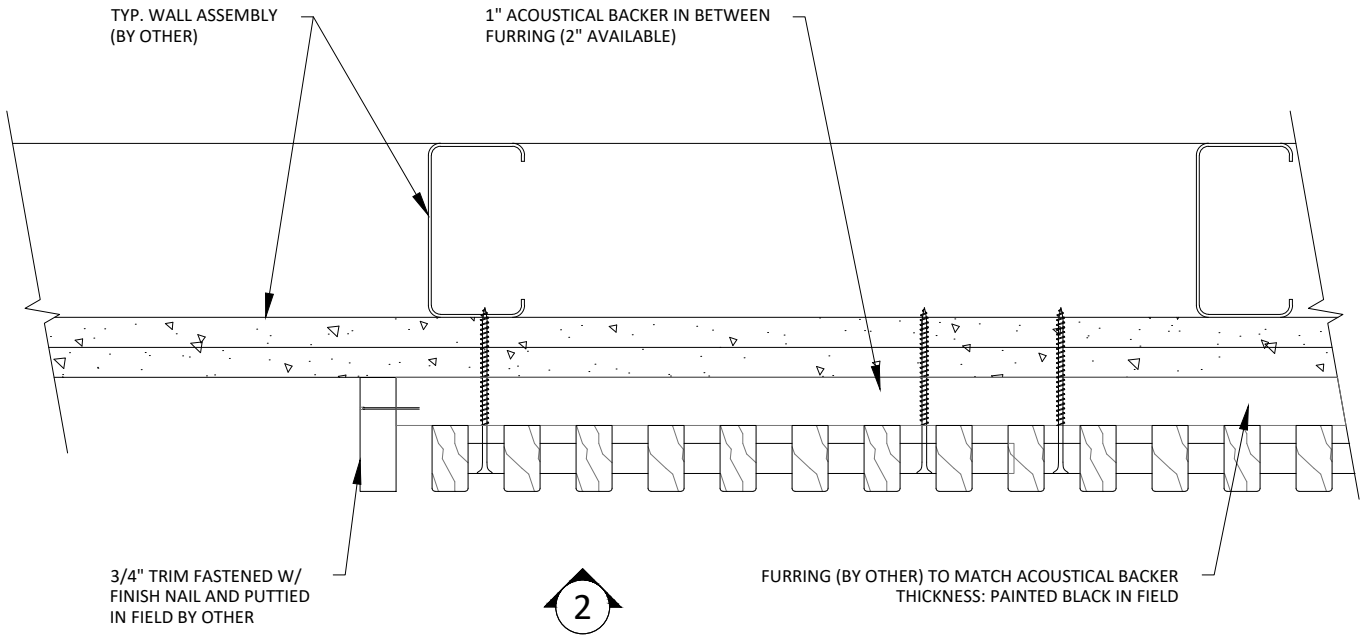
2" SCREW (BY  
OTHER) TYP.

ACOUSTICAL BACKER

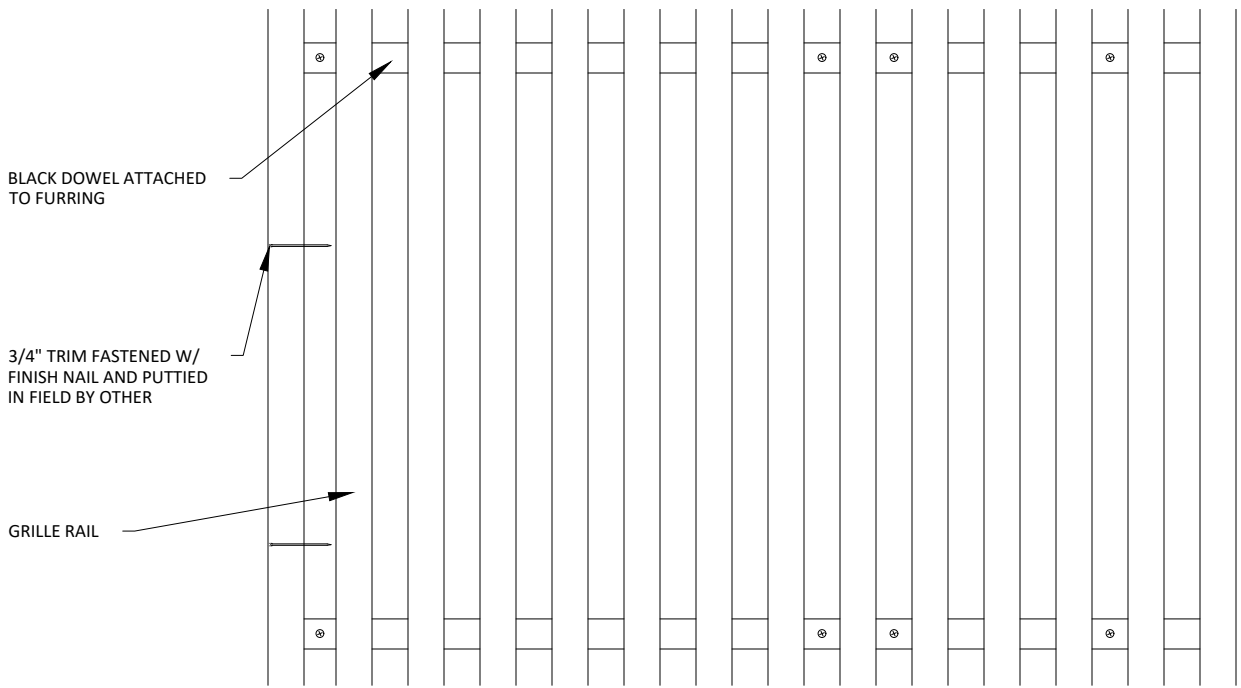
16 GA. FINISH NAIL (BY OTHER)

TRIM (OPTIONAL) TO COINCIDE  
W/ FURRING THICKNESS; FACE  
NAILED & PUTTIED IN FIELD

1 VERTICAL WALL ISOMETRIC - TYP.  
1 1/2" = 1'-0"



1 VERTICAL WALL PLAN @ TRIM  
3" = 1'-0"



2 VERTICAL WALL ELEVATION @ TRIM  
3" = 1'-0"

2

BLACK DOWEL

FURRING (BY OTHER) TO MATCH ACOUSTICAL BACKER THICKNESS

BLACK DOWEL SCREWED TO FURRING IN FIELD

BASE AS SCHEDULED (BY OTHER)

1 VERTICAL WALL ELEVATION @ BASEBOARD

3" = 1'-0"

BLACK DOWEL SCREWED TO FURRING IN FIELD

1" ACOUSTICAL BACKER (2" AVAILABLE)

TYP. WALL SYSTEM (BY OTHER)

BASE AS SCHEDULED (BY OTHER)

2 VERTICAL WALL SECTION @ BASEBOARD

3" = 1'-0"



GRILLE-DOWELED (VERTICAL WALL SYSTEM) - BASEBOARD DETAILS

SHEET NUMBER

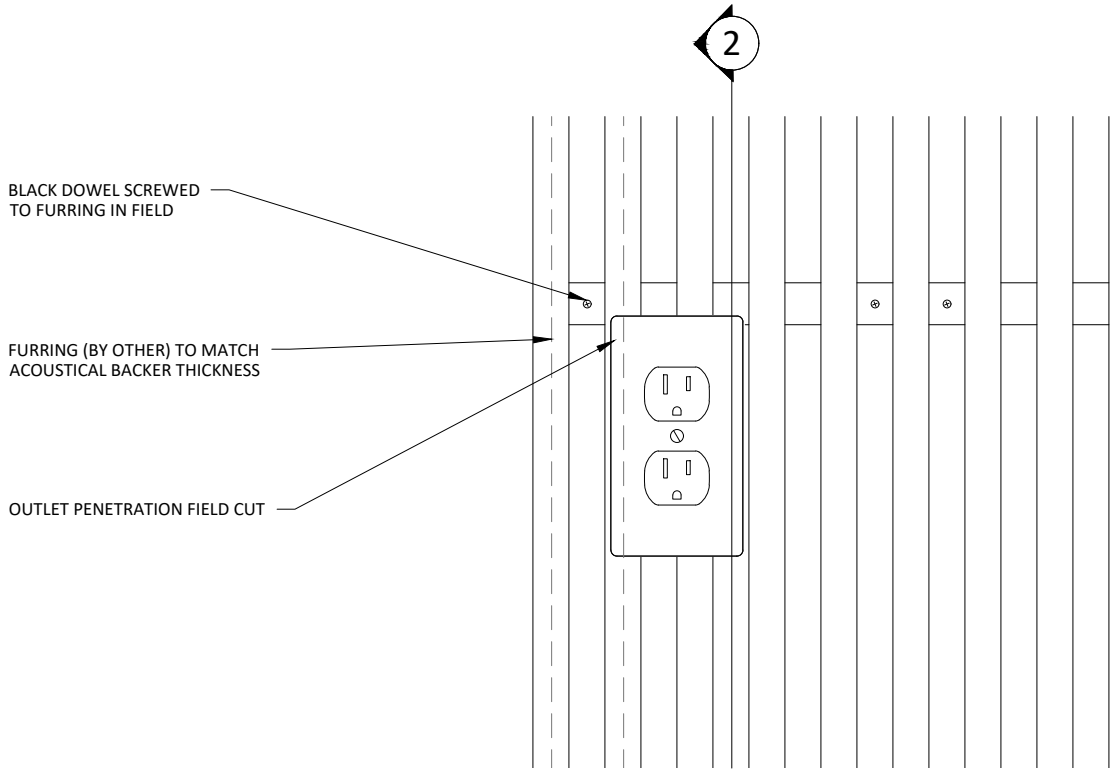
19

SCALE: AS NOTED

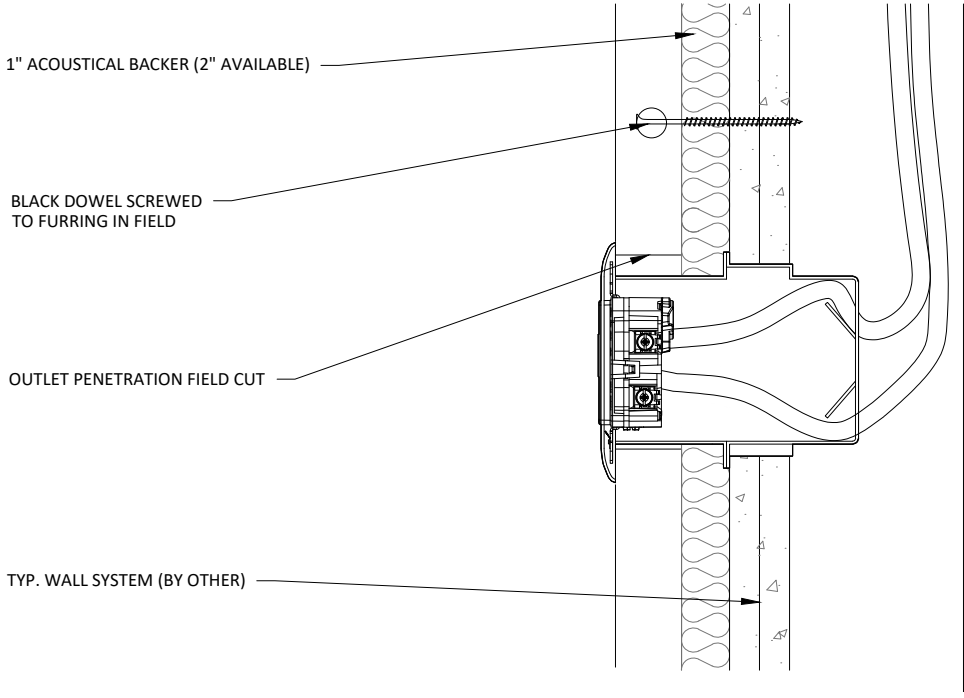
LAST REVISED: 5/16/2023

DRAWN BY: BMH

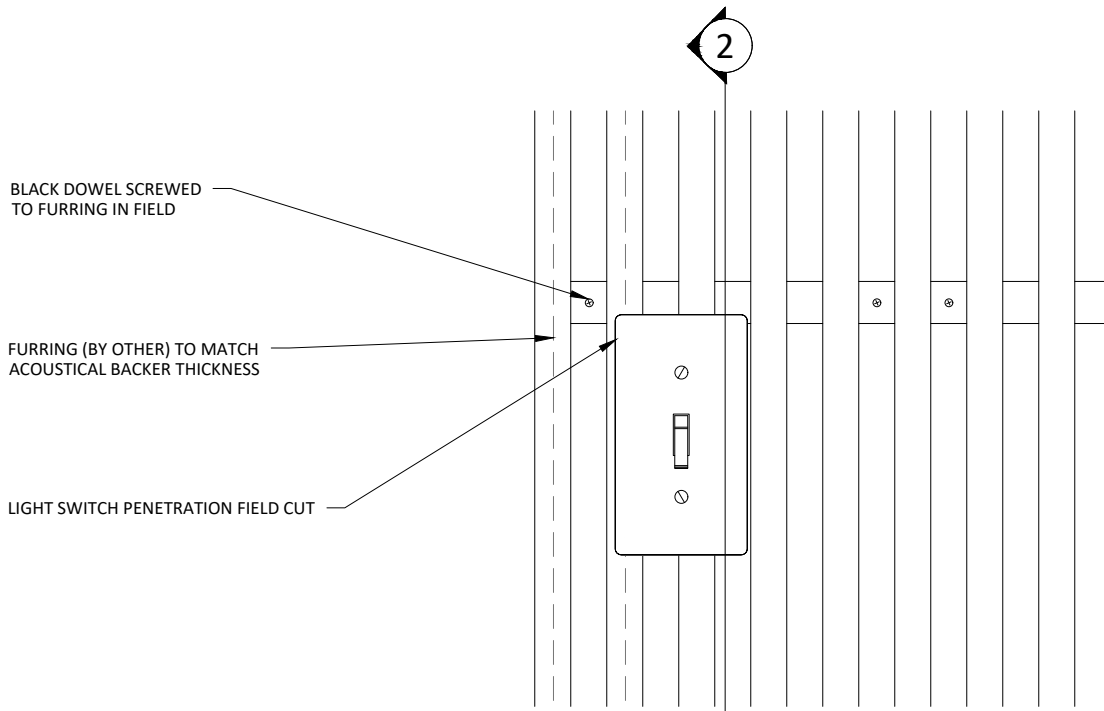
DO NOT SCALE DRAWING. FIGURED DIMENSIONS ARE TO BE FOLLOWED. READ THIS DRAWING IN CONNECTION WITH GENERAL ARCHITECTURAL PLANS, STRUCTURAL PLANS, AND OTHER RELATED DRAWINGS. THESE DRAWINGS REPRESENT ASI'S UNDERSTANDING AND INTERPRETATION OF THE ARCHITECTURAL DRAWINGS AND HOW ASI PRODUCTS RELATE TO THE PROJECT. COPYRIGHT ASI © 2023



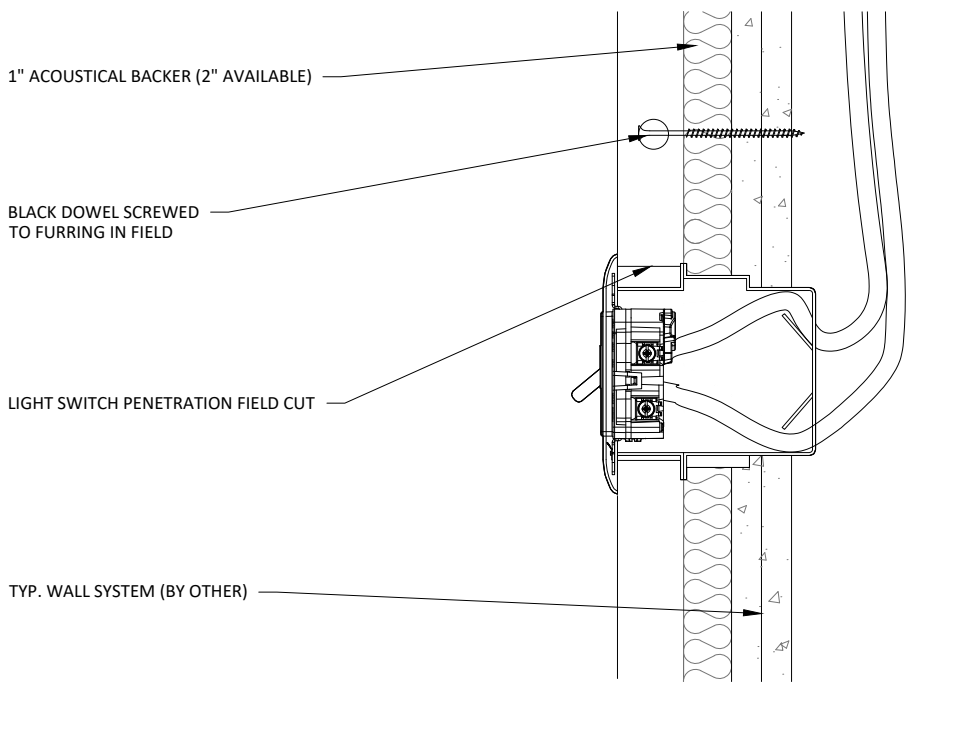
**1** VERTICAL WALL ELEVATION @ OUTLET  
3" = 1'-0"



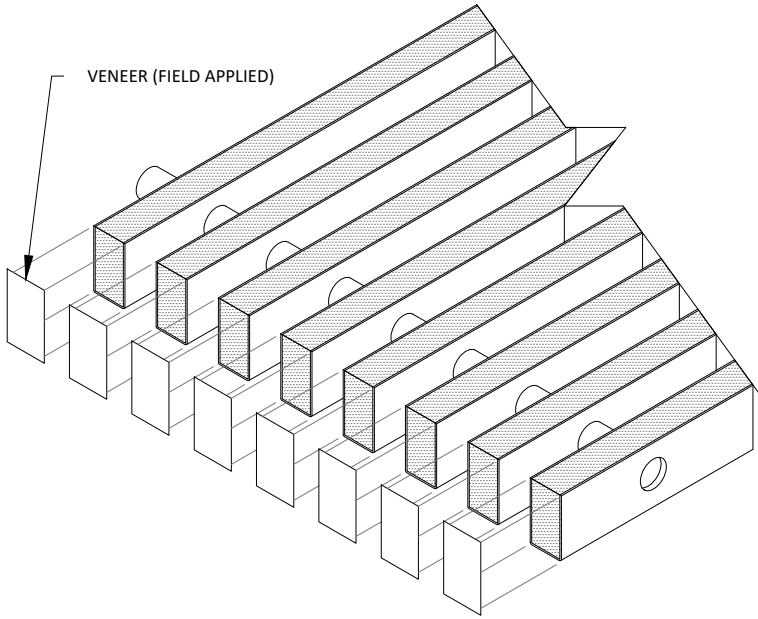
**2** VERTICAL WALL SECTION @ OUTLET  
3" = 1'-0"



**1** VERTICAL WALL ELEVATION @ LIGHT SWITCH  
3" = 1'-0"

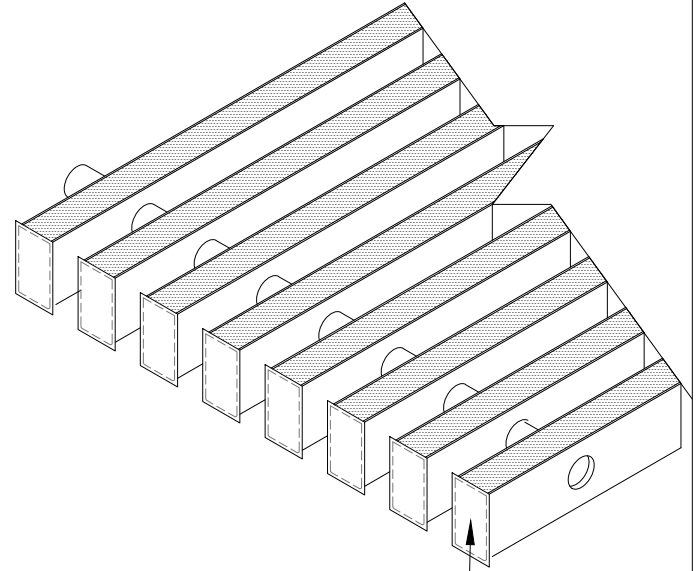


**2** VERTICAL WALL SECTION @ LIGHT SWITCH  
3" = 1'-0"



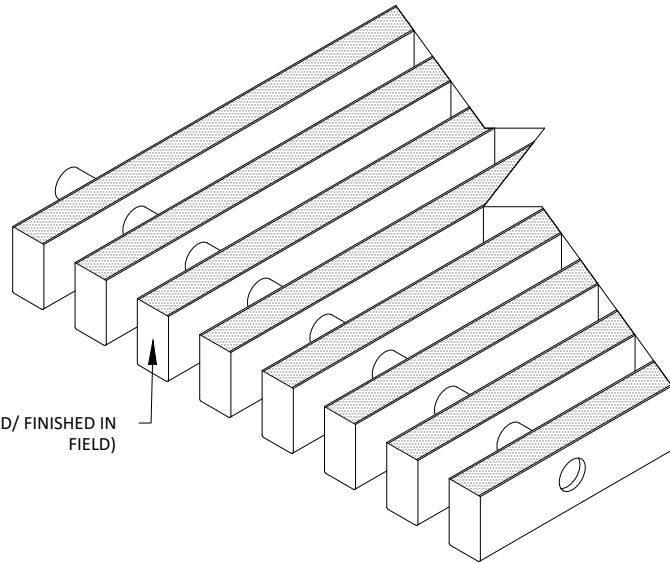
VENEER (FIELD APPLIED)

1 STEP 1  
3" = 1'-0"



VENEER APPLIED TO FIELD CUT END  
W/ HOT MELT & IRON

2 STEP 2  
3" = 1'-0"



FIELD FINISHED END (STAINED/ FINISHED IN  
FIELD)

3 STEP 3  
3" = 1'-0"

NOTE: FOR SOLID WOOD RAILS, NO  
VENEER NEEDS TO BE APPLIED - INSTEAD,  
REFINISH THE CUT END IN FIELD