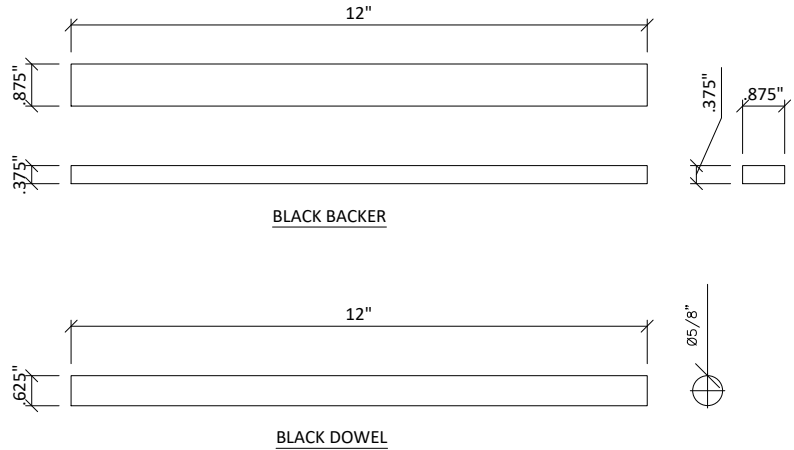
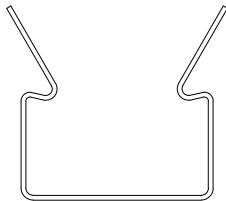
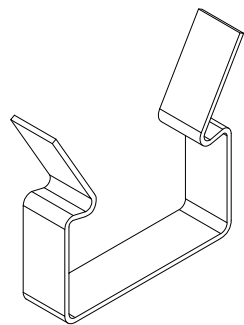
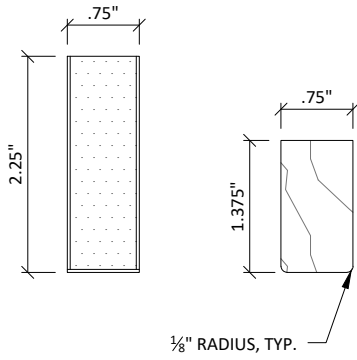


1 GRILLE-BACKERED SECTION DETAIL
3" = 1'-0"



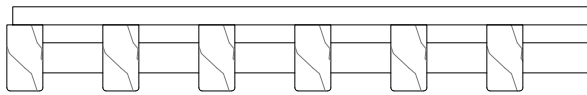
2 BACKER CLIP
1' = 1'-0"

3 BACKER & DOWEL DETAILS
3" = 1'-0"

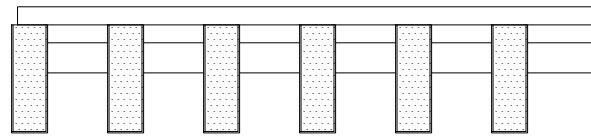


CUSTOM PROFILES AVAILABLE UPON REQUEST

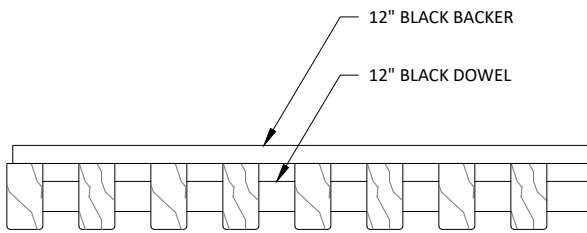
1 TYPICAL RAIL PROFILES
6" = 1'-0"



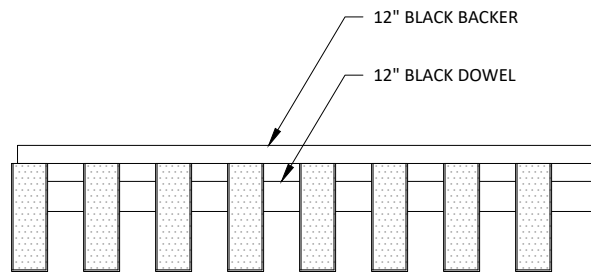
3/4" X 1 3/8" RAILS
6 RAIL/FT.
2" SPACING O.C.



3/4" X 2 1/4" RAILS
6 RAIL/FT.
2" SPACING O.C.

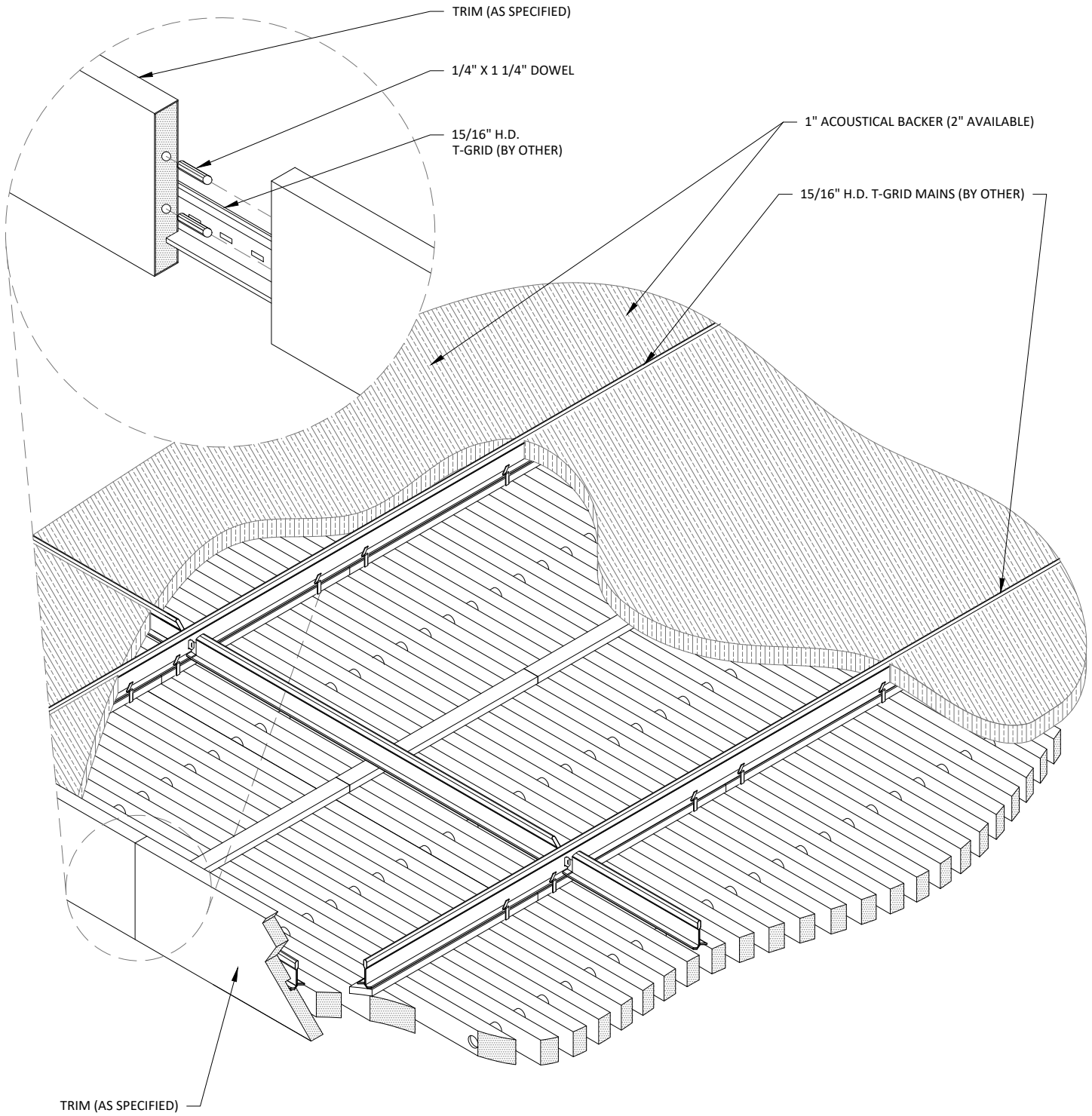


3/4" X 1 3/8" RAILS
8 RAIL/FT.
1 1/2" SPACING O.C.

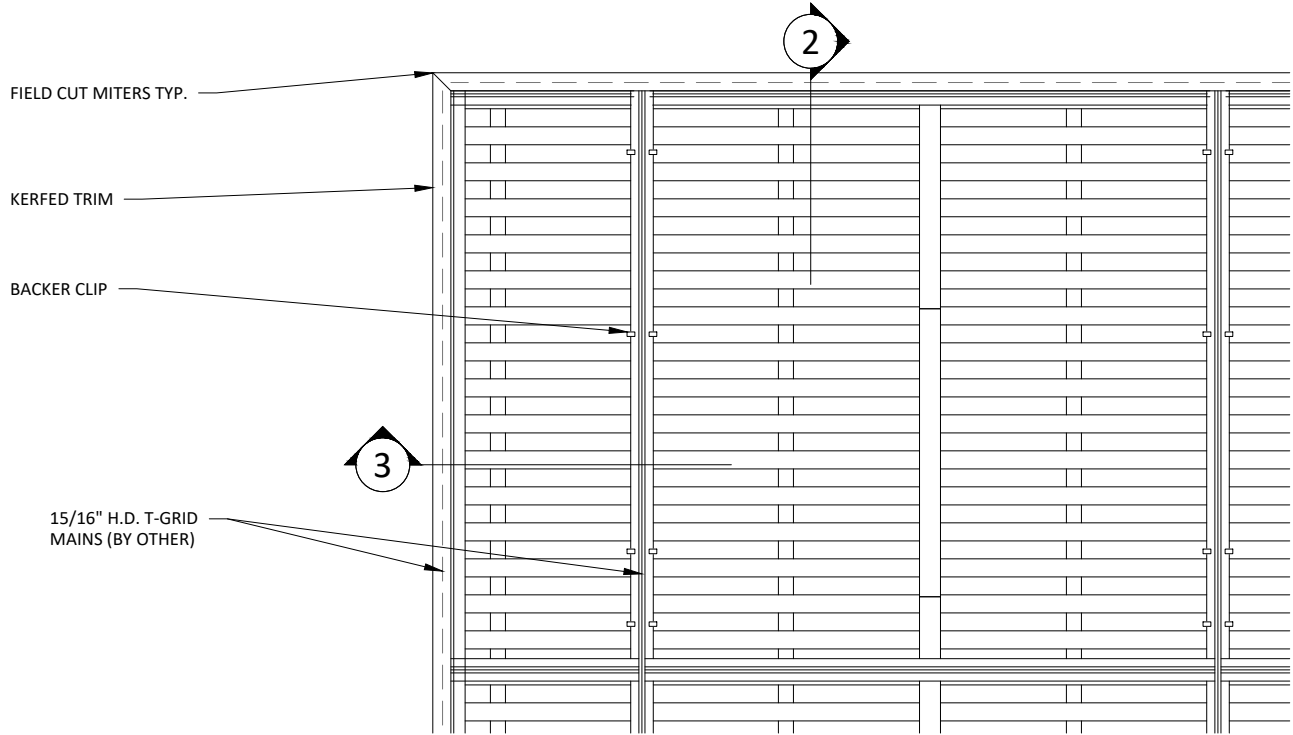


3/4" X 2 1/4" RAILS
8 RAIL/FT.
1 1/2" SPACING O.C.

2 TYPICAL 12 INCH GRILLE MODULES
3" = 1'-0"

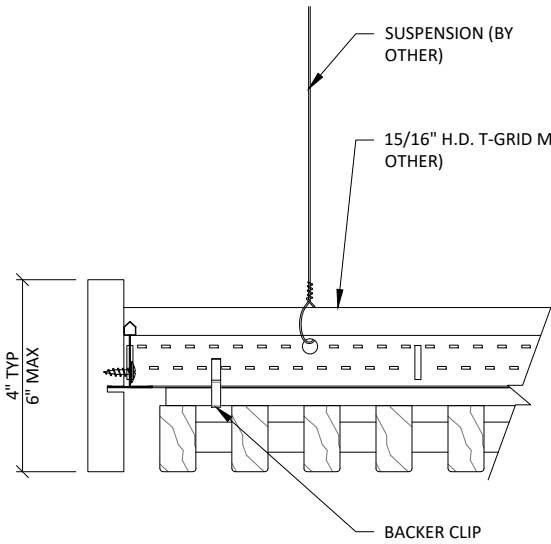


1 CEILING ISOMETRIC - TYP.
 1 1/2" = 1'-0"

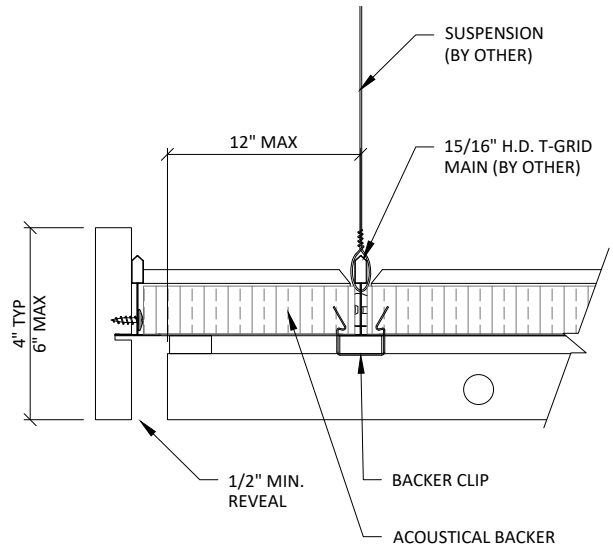


1 TRIM @ MITERED CORNER - PLAN
1 1/2" = 1'-0"

** ALL FIELD CUTS TO ALLOW FOR 3/4" MIN REVEAL FOR EXPANSION & CONTRACTION

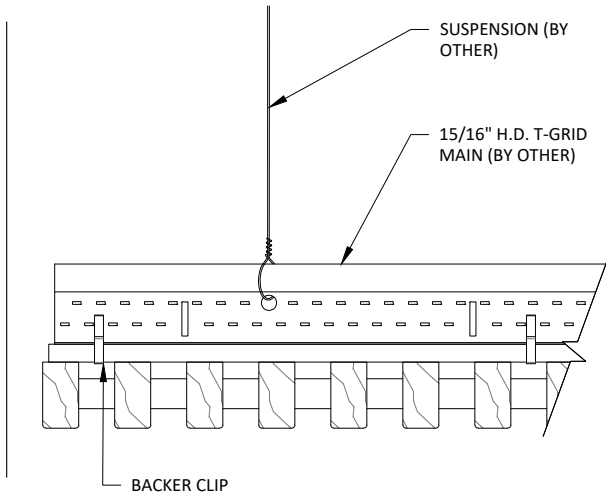


2 TRIM DETAIL 1
3" = 1'-0"

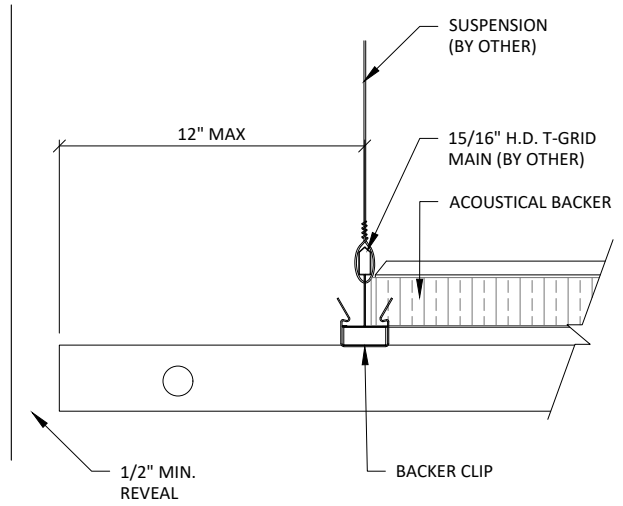


3 TRIM DETAIL 2
3" = 1'-0"

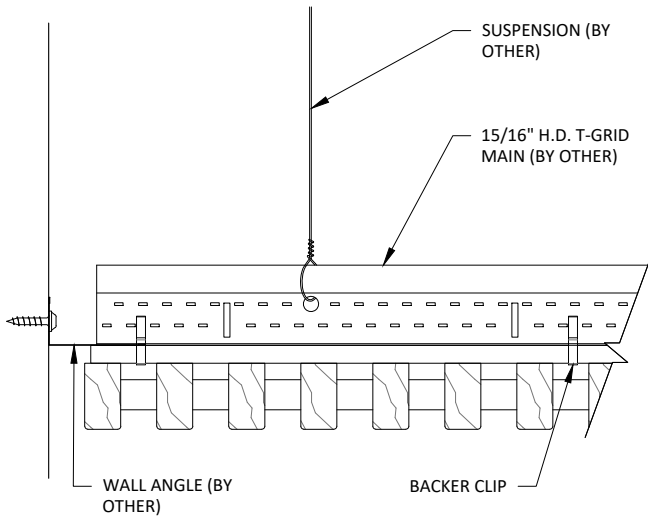
** ALL FIELD CUTS TO ALLOW FOR 3/4" MIN REVEAL FOR EXPANSION & CONTRACTION



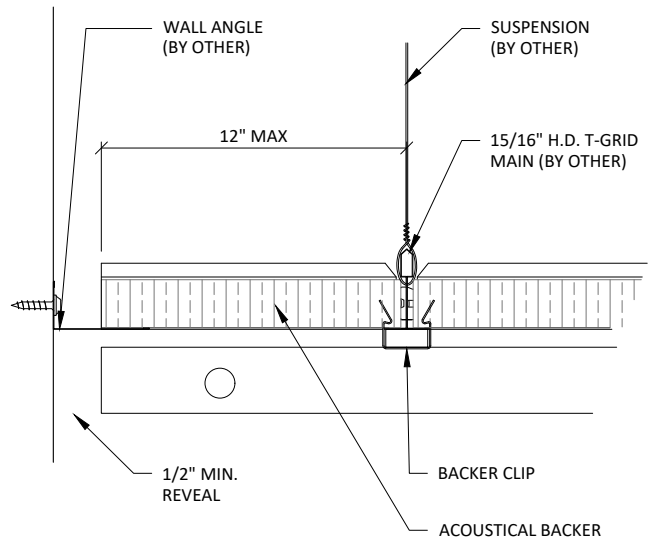
1 EDGE DETAIL 1
3" = 1'-0"



2 EDGE DETAIL 2
3" = 1'-0"



3 EDGE DETAIL 3
3" = 1'-0"



4 EDGE DETAIL 4
3" = 1'-0"

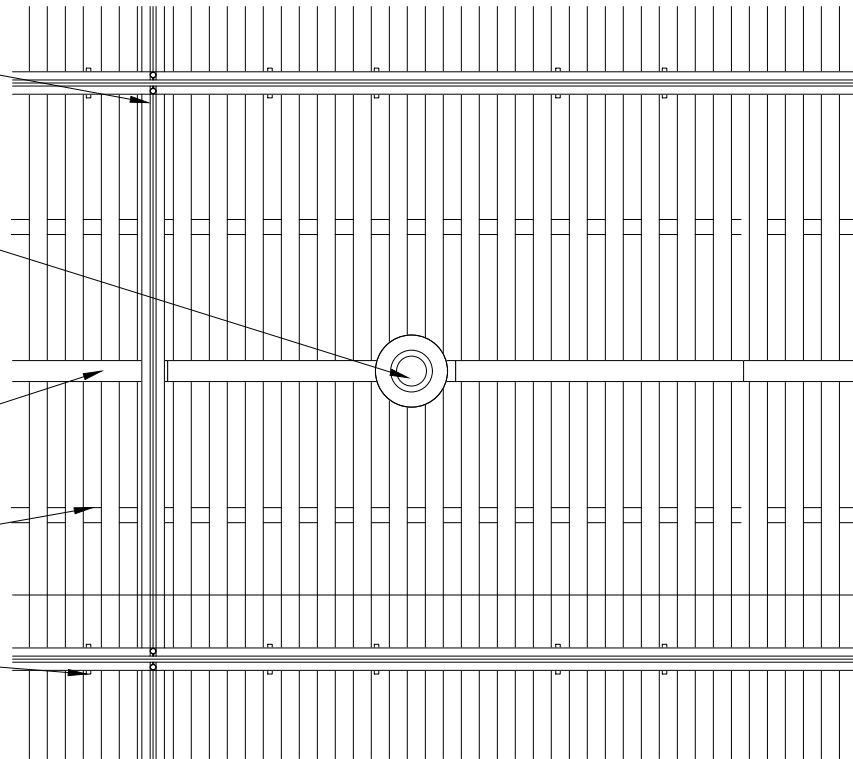
15/16" HEAVY DUTY
T-GRID (BY OTHER)
(2X4 LAYOUT TYP)

INDEPENDENTLY SUPPORTED
CUSTOMER PROVIDED FIXTURE:
FIELD CUT PENETRATION

BLACK BACKER

BLACK DOWEL

BACKER CLIP - 24" OC MAX
(2 PER BACKER TYPICAL)



1 SPRINKLER HEAD DETAIL - PLAN VIEW
1 1/2" = 1'-0"

INDEPENDENTLY SUPPORTED
CUSTOMER PROVIDED FIXTURE

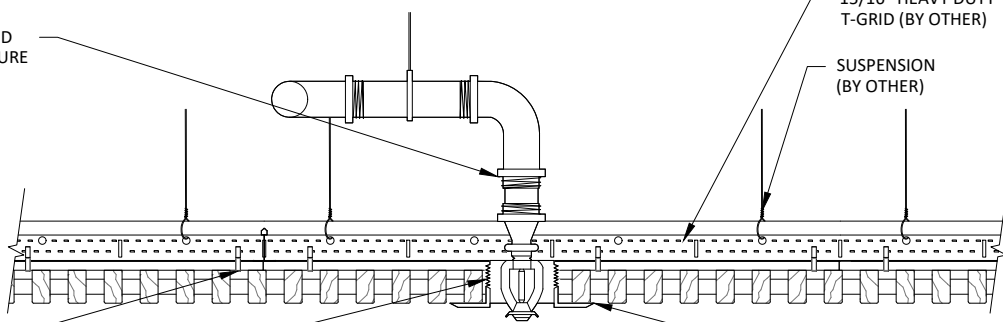
15/16" HEAVY DUTY
T-GRID (BY OTHER)

SUSPENSION
(BY OTHER)

BACKER CLIP

FIELD CUT

TRIM PLATE
RECOMMENDED
(BY OTHER)



2 SPRINKLER HEAD DETAIL - SECTION VIEW
1 1/2" = 1'-0"

15/16" HEAVY DUTY
T-GRID (BY OTHER)
(2X4 LAYOUT TYP)

INDEPENDENTLY SUPPORTED
CUSTOMER PROVIDED FIXTURE:
FIELD CUT PENETRATION

BLACK BACKER

BLACK DOWEL

BACKER CLIP - 24" OC MAX
(2 PER BACKER TYPICAL)

2

1 CAN LIGHT DETAIL - PLAN VIEW
1 1/2" = 1'-0"

INDEPENDENTLY SUPPORTED
CUSTOMER PROVIDED FIXTURE

15/16" HEAVY DUTY
T-GRID (BY OTHER)

SUSPENSION
(BY OTHER)

BACKER CLIP

TRIM PLATE
RECOMMENDED
(BY OTHER)

FIELD CUT

2 CAN LIGHT DETAIL - SECTION VIEW
1 1/2" = 1'-0"

15/16" HEAVY DUTY
T-GRID (BY OTHER)
(2X4 LAYOUT TYP)

INDEPENDENTLY SUPPORTED
CUSTOMER PROVIDED FIXTURE:
FIELD CUT PENETRATION

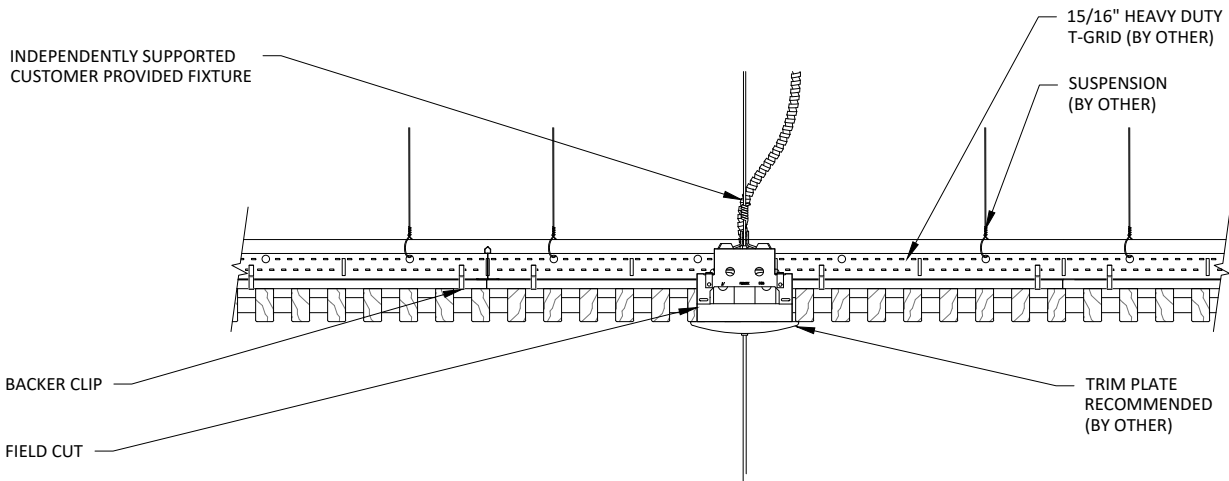
BLACK BACKER

BLACK DOWEL

BACKER CLIP - 24" OC MAX
(2 PER BACKER TYPICAL)

2

1 PENDANT LIGHT DETAIL - PLAN VIEW
1 1/2" = 1'-0"



2 PENDANT LIGHT DETAIL - SECTION VIEW
1 1/2" = 1'-0"

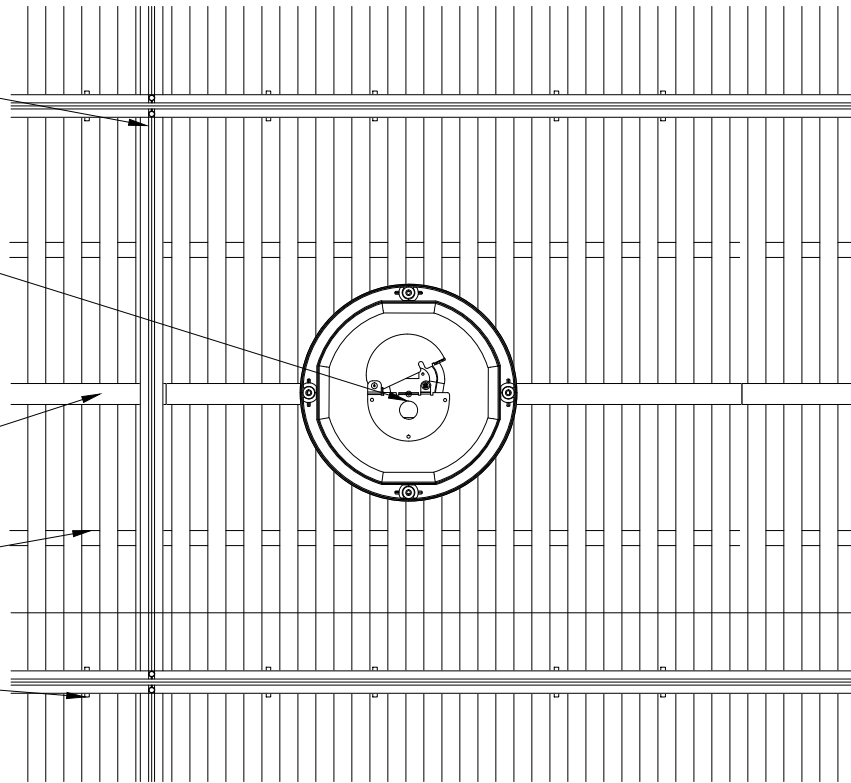
15/16" HEAVY DUTY
T-GRID (BY OTHER)
(2X4 LAYOUT TYP)

INDEPENDENTLY SUPPORTED
CUSTOMER PROVIDED FIXTURE:
FIELD CUT PENETRATION

BLACK BACKER

BLACK DOWEL

BACKER CLIP - 24" OC MAX
(2 PER BACKER TYPICAL)



1 RECESSED SPEAKER DETAIL - PLAN VIEW
1 1/2" = 1'-0"

INDEPENDENTLY SUPPORTED
CUSTOMER PROVIDED FIXTURE

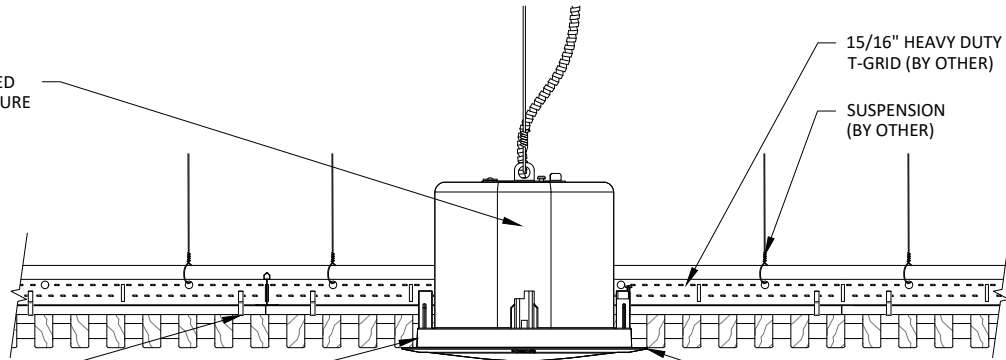
15/16" HEAVY DUTY
T-GRID (BY OTHER)

SUSPENSION
(BY OTHER)

BACKER CLIP

FIELD CUT

TRIM PLATE
RECOMMENDED
(BY OTHER)



2 RECESSED SPEAKER DETAIL - SECTION VIEW
1 1/2" = 1'-0"

15/16" HEAVY DUTY
T-GRID (BY OTHER)
(2X4 LAYOUT TYP)

INDEPENDENTLY SUPPORTED
CUSTOMER PROVIDED FIXTURE:
FIELD CUT PENETRATION

BLACK BACKER

BLACK DOWEL

BACKER CLIP - 24" OC MAX
(2 PER BACKER TYPICAL)

2

1 DIFFUSER DETAIL - PLAN VIEW
1 1/2" = 1'-0"

INDEPENDENTLY SUPPORTED
CUSTOMER PROVIDED FIXTURE

15/16" HEAVY DUTY
T-GRID (BY OTHER)

SUSPENSION
(BY OTHER)

BACKER CLIP

FIELD CUT

TRIM PLATE
RECOMMENDED
(BY OTHER)

2 DIFFUSER DETAIL - SECTION VIEW
1 1/2" = 1'-0"

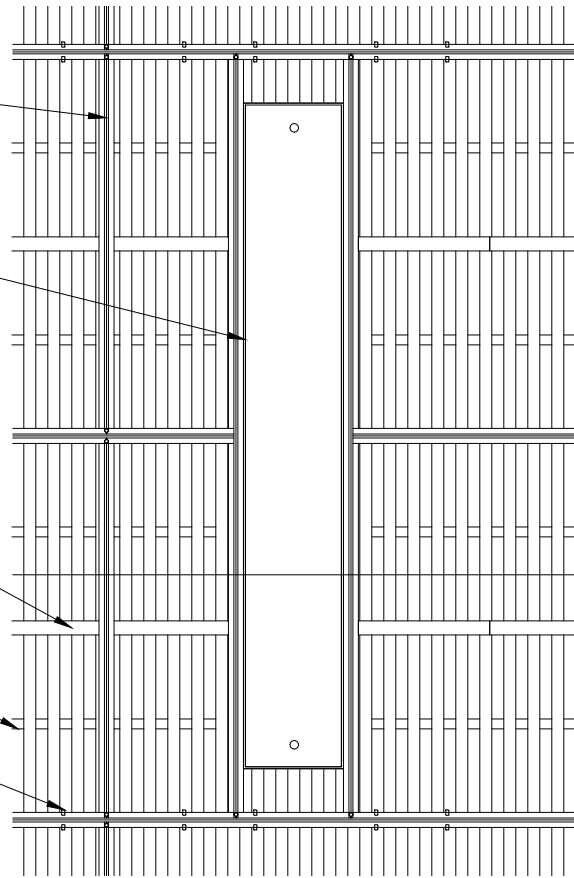
15/16" HEAVY DUTY
T-GRID (BY OTHER)
(2X4 LAYOUT TYP)

INDEPENDENTLY SUPPORTED
LINEAR LIGHT: FIELD CUT
PENETRATION

BLACK BACKER

BLACK DOWEL

BACKER CLIP - 24" OC MAX
(2 PER BACKER TYPICAL)



2

1 LINEAR LIGHT DETAIL - PLAN VIEW
1" = 1'-0"

INDEPENDENTLY SUPPORTED
CUSTOMER PROVIDED FIXTURE

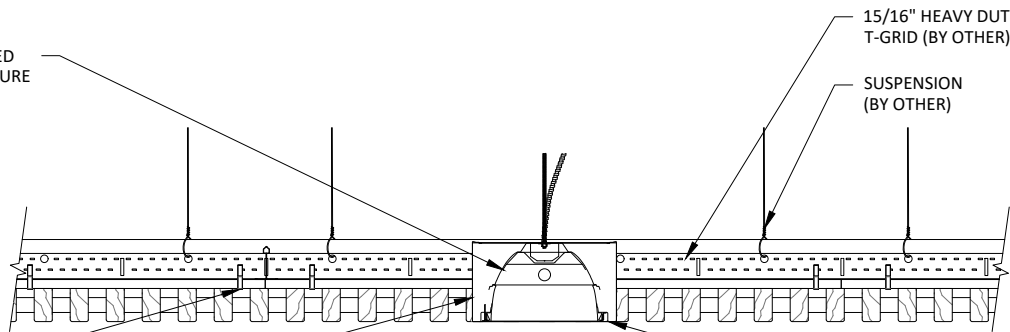
15/16" HEAVY DUTY
T-GRID (BY OTHER)

SUSPENSION
(BY OTHER)

BACKER CLIP

FIELD CUT

TRIM PLATE
RECOMMENDED
(BY OTHER)



2 LINEAR LIGHT DETAIL - SECTION VIEW
1 1/2" = 1'-0"

1" ACOUSTICAL BACKER
(2" AVAILABLE)

TYP. WALL ASSEMBLY
(BY OTHER)

FURRING (BY OTHER) TO MATCH
ACOUSTICAL BACKER THICKNESS

BLACK BACKER

2" SCREW (BY OTHER)

GRILLE RAIL

1/2" REVEAL FOR
EXPANSION &
CONTRACTION

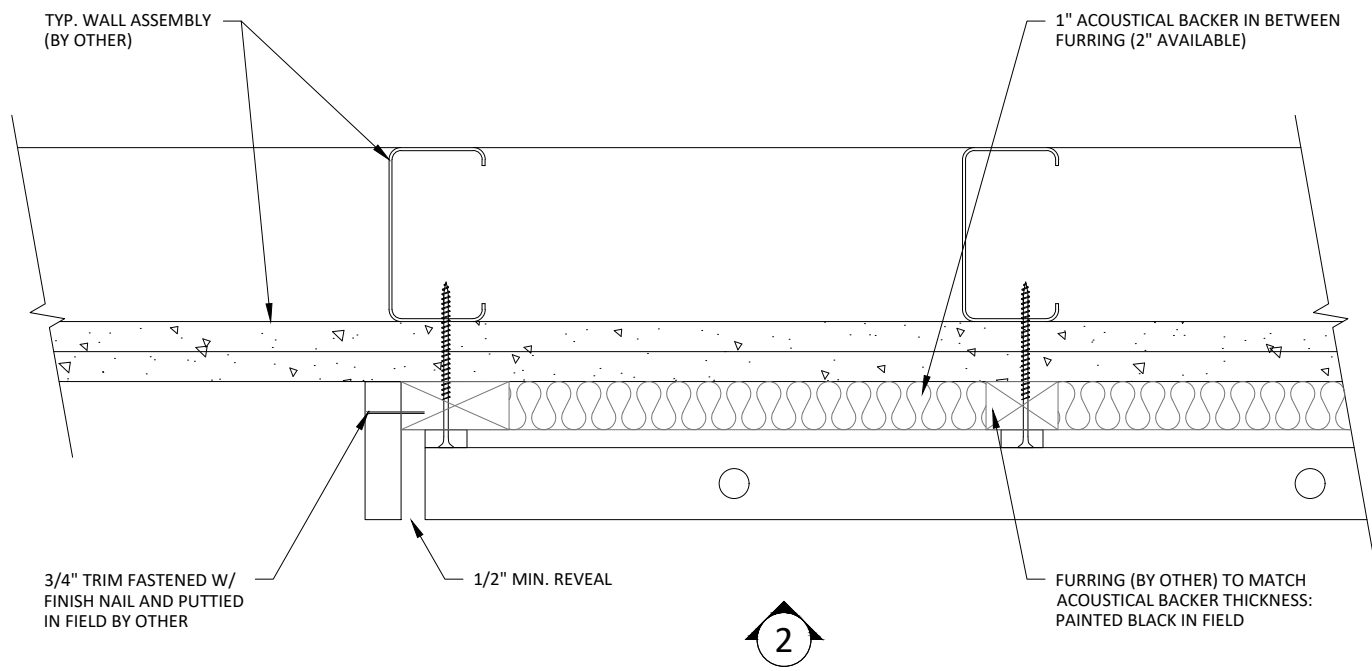
16 GA. FINISH NAIL (BY OTHER)

TRIM (OPTIONAL) TO COINCIDE
W/ FURRING THICKNESS; FACE
NAILED & PUTTIED IN FIELD

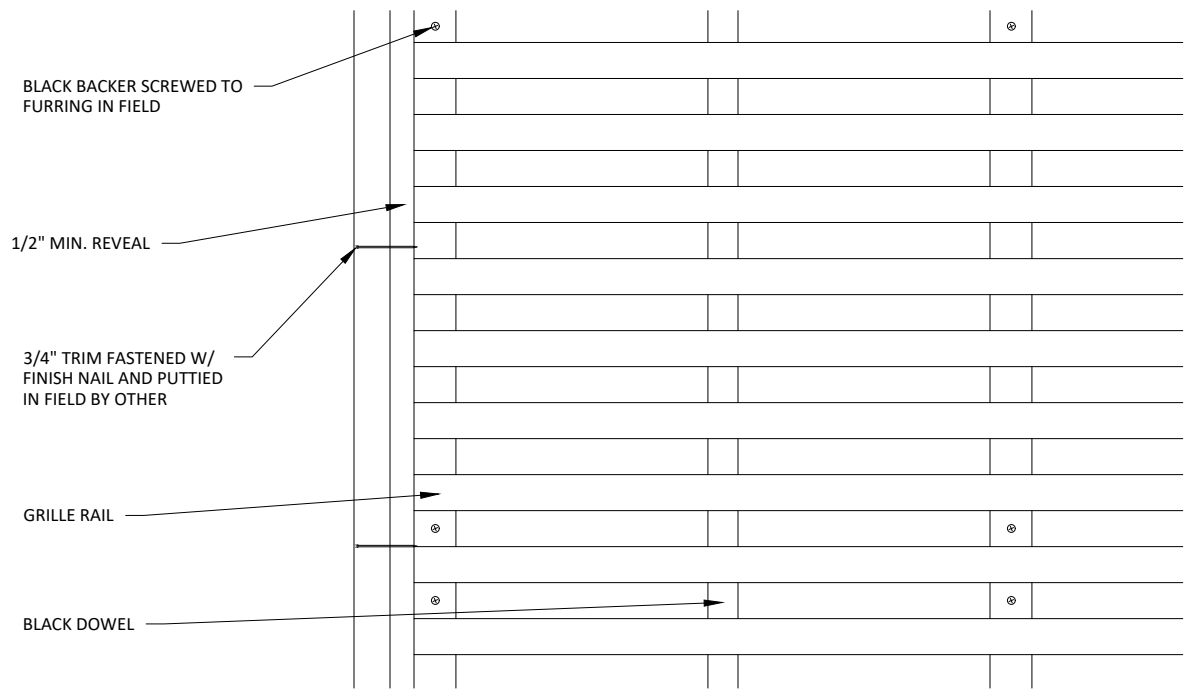
BLACK DOWEL

NOTE: 24" MAXIMUM SCREW/SUPPORT SPACING

1 HORIZONTAL WALL ISOMETRIC - TYP.
1 1/2" = 1'-0"



1 HORIZONTAL WALL PLAN @ TRIM
3" = 1'-0"



2 HORIZONTAL WALL ELEVATION @ TRIM
3" = 1'-0"

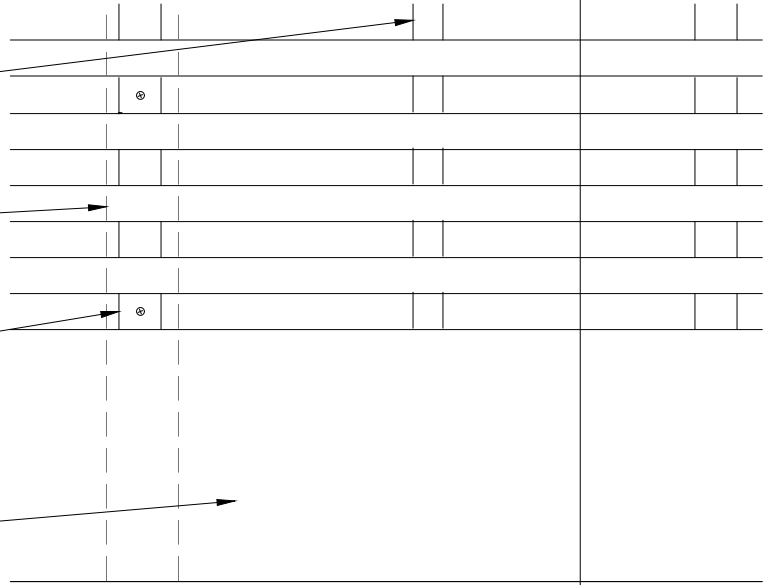
2

BLACK DOWEL

FURRING (BY OTHER) TO MATCH ACOUSTICAL BACKER THICKNESS

BLACK BACKER SCREWED TO FURRING IN FIELD

BASE AS SCHEDULED (BY OTHER)



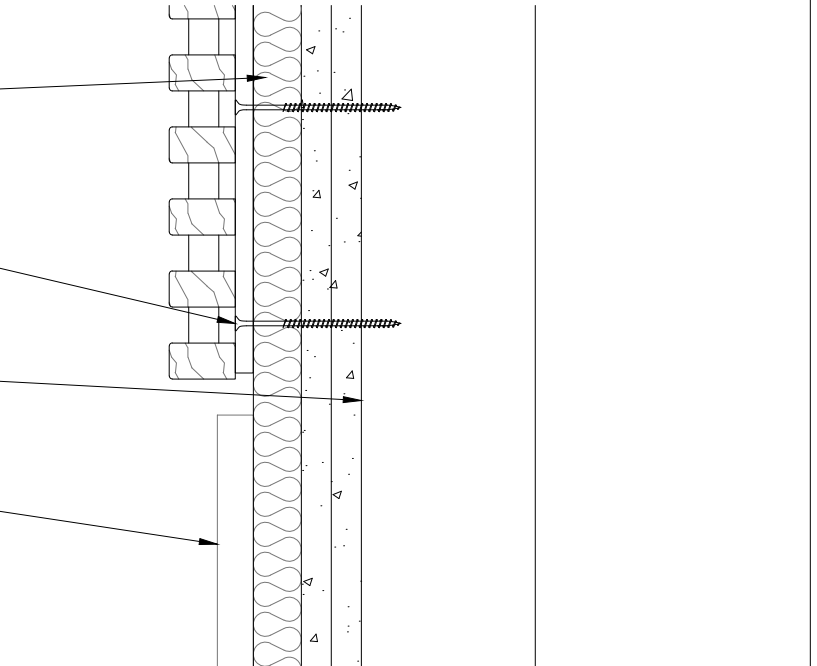
1 HORIZONTAL WALL ELEVATION @ BASEBOARD
3" = 1'-0"

1" ACOUSTICAL BACKER (2" AVAILABLE)

BLACK BACKER SCREWED TO FURRING IN FIELD

TYP. WALL SYSTEM (BY OTHER)

BASE AS SCHEDULED (BY OTHER)



2 HORIZONTAL WALL SECTION @ BASEBOARD
3" = 1'-0"

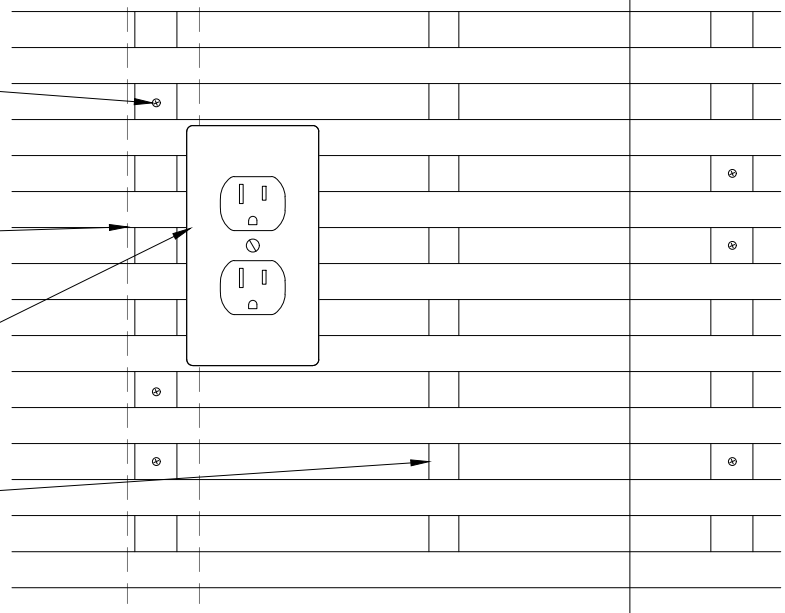
2

BLACK BACKER SCREWED TO FURRING IN FIELD

FURRING (BY OTHER) TO MATCH ACOUSTICAL BACKER THICKNESS

LIGHT SWITCH PENETRATION FIELD CUT

BLACK DOWEL



1 HORIZONTAL WALL ELEVATION @ OUTLET
3" = 1'-0"

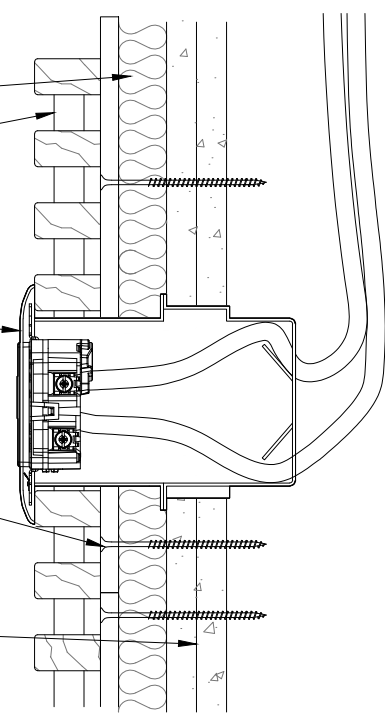
1" ACOUSTICAL BACKER (2" AVAILABLE)

BLACK DOWEL

LIGHT SWITCH PENETRATION FIELD CUT

BLACK BACKER SCREWED TO FURRING IN FIELD

TYP. WALL SYSTEM (BY OTHER)



2 HORIZONTAL WALL SECTION @ OUTLET
3" = 1'-0"

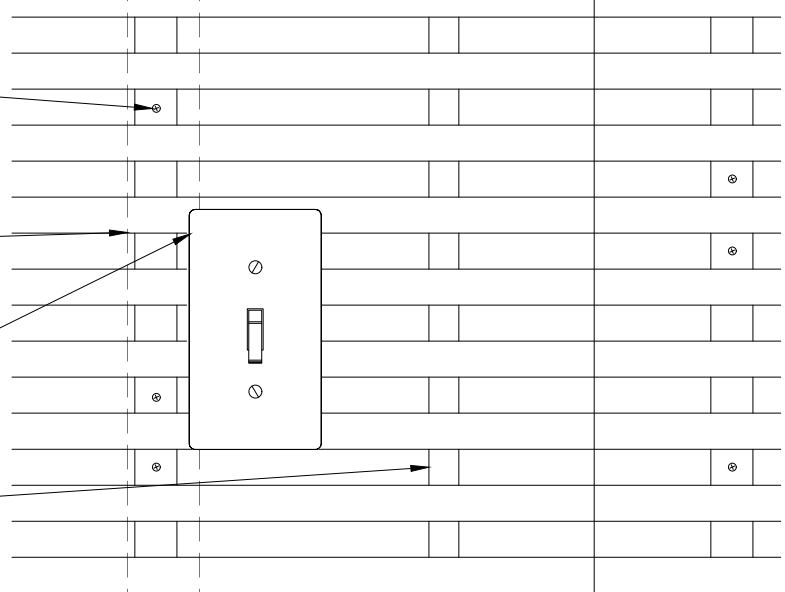
2

BLACK BACKER SCREWED TO FURRING IN FIELD

FURRING (BY OTHER) TO MATCH ACOUSTICAL BACKER THICKNESS

LIGHT SWITCH PENETRATION FIELD CUT

BLACK DOWEL



1 HORIZONTAL WALL ELEVATION @ LIGHT SWITCH
3" = 1'-0"

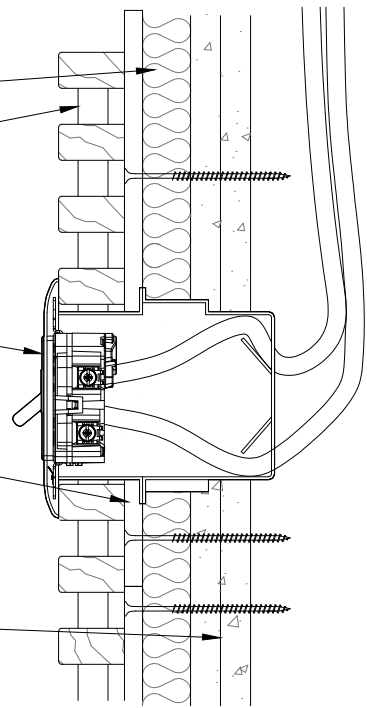
1" ACOUSTICAL BACKER (2" AVAILABLE)

BLACK DOWEL

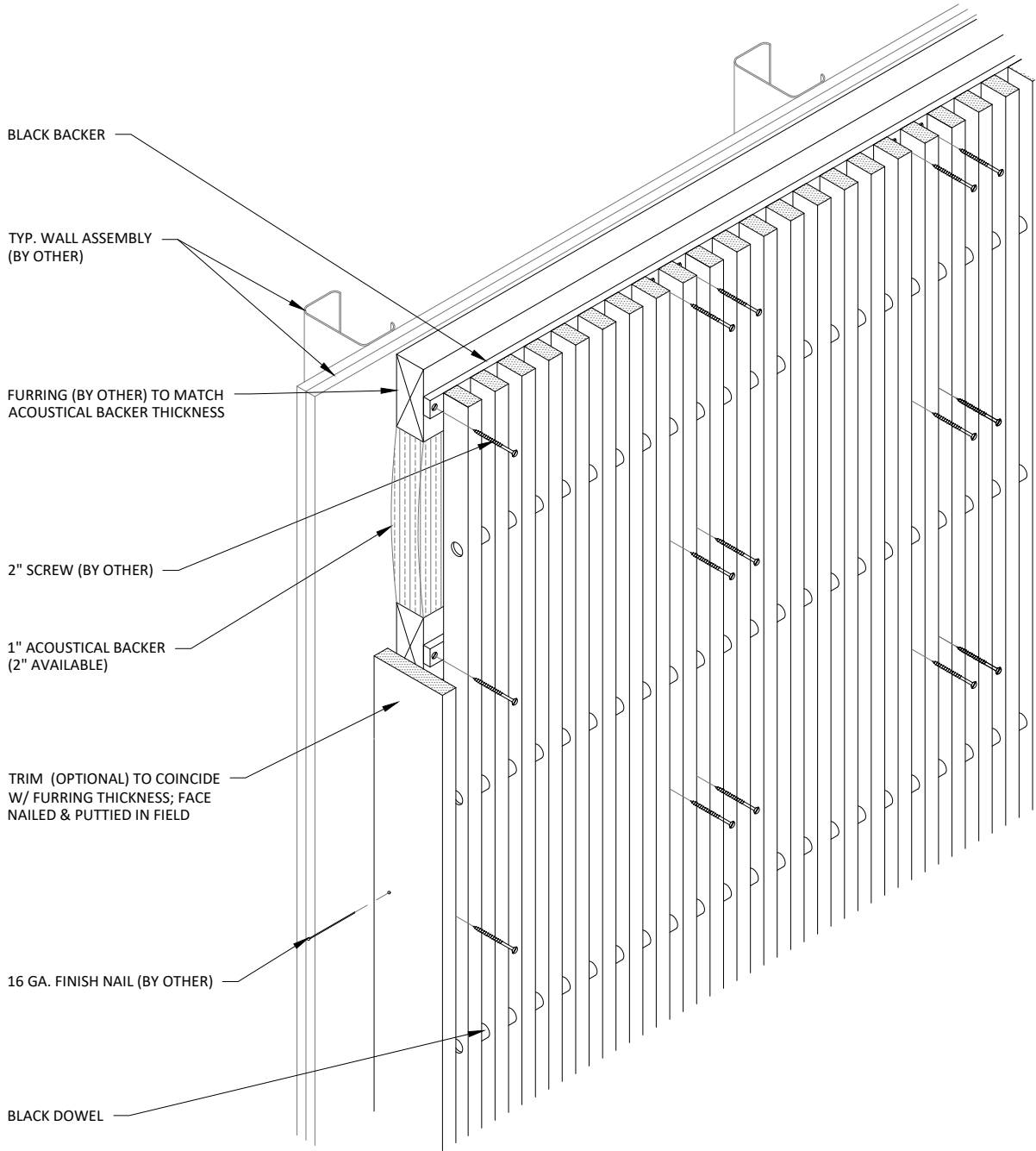
LIGHT SWITCH PENETRATION FIELD CUT

BLACK BACKER SCREWED TO FURRING IN FIELD

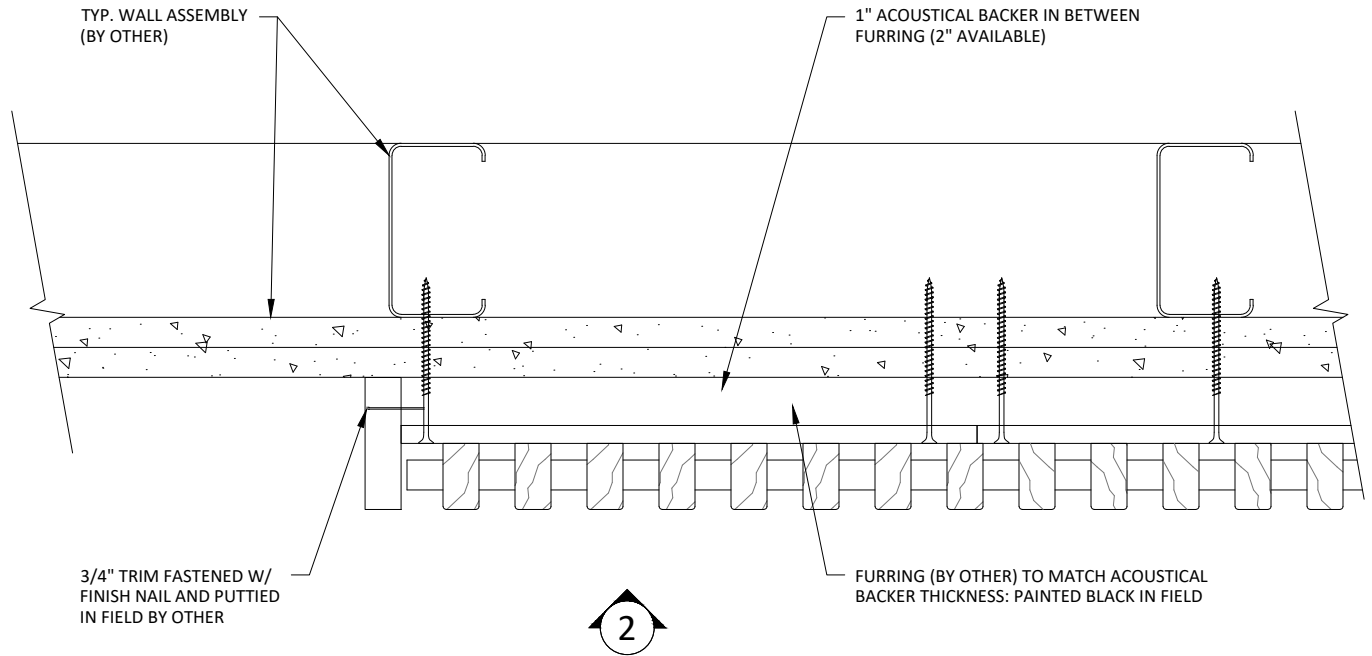
TYP. WALL SYSTEM (BY OTHER)



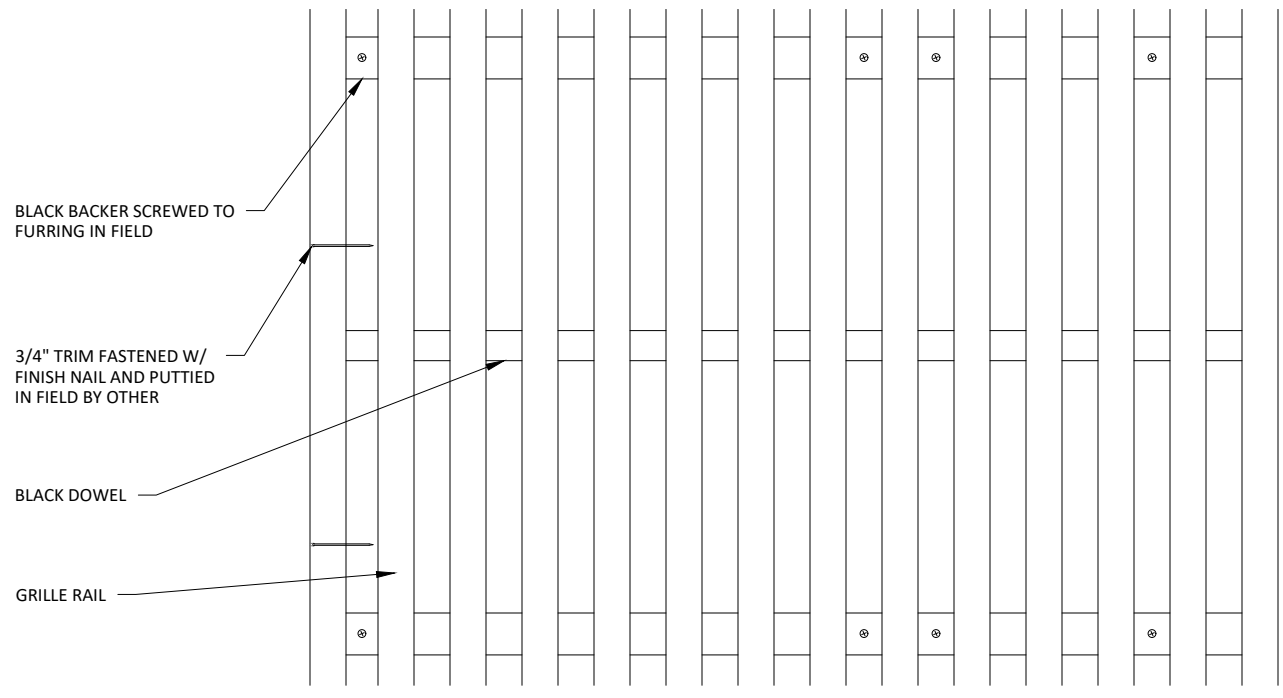
2 HORIZONTAL WALL SECTION @ LIGHT SWITCH
3" = 1'-0"



1 VERTICAL WALL ISOMETRIC - TYP.
 1 1/2" = 1'-0"

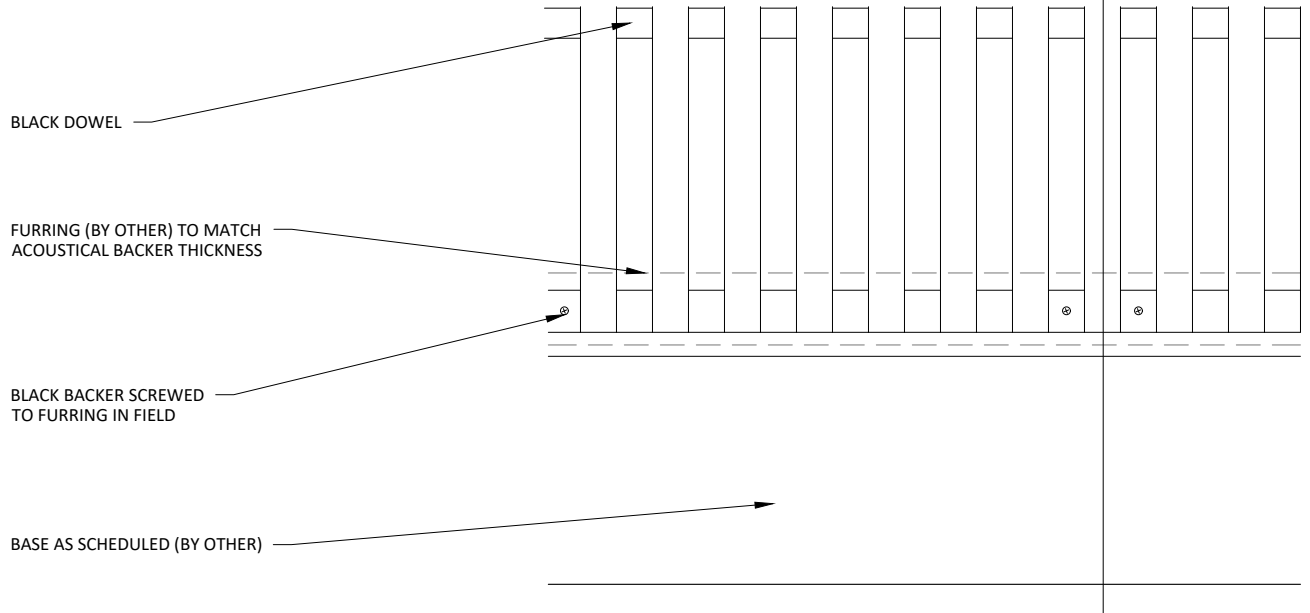


1 VERTICAL WALL PLAN @ TRIM
3" = 1'-0"

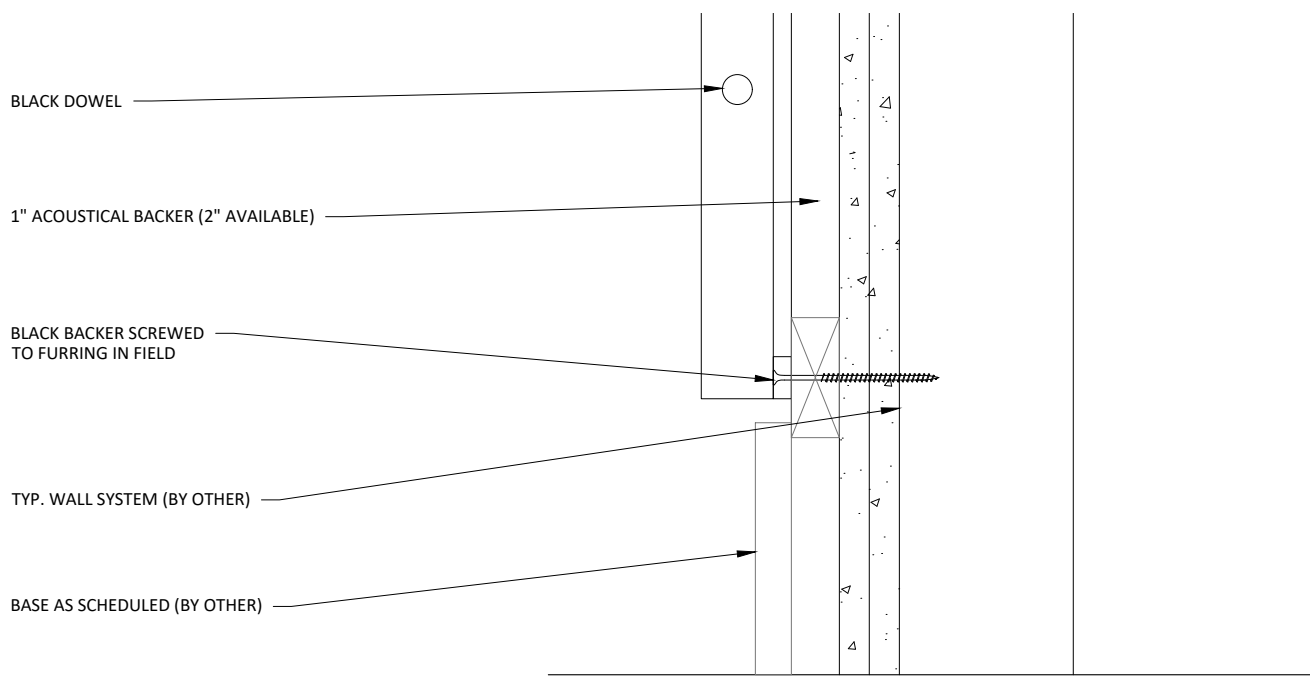


2 VERTICAL WALL ELEVATION @ TRIM
3" = 1'-0"

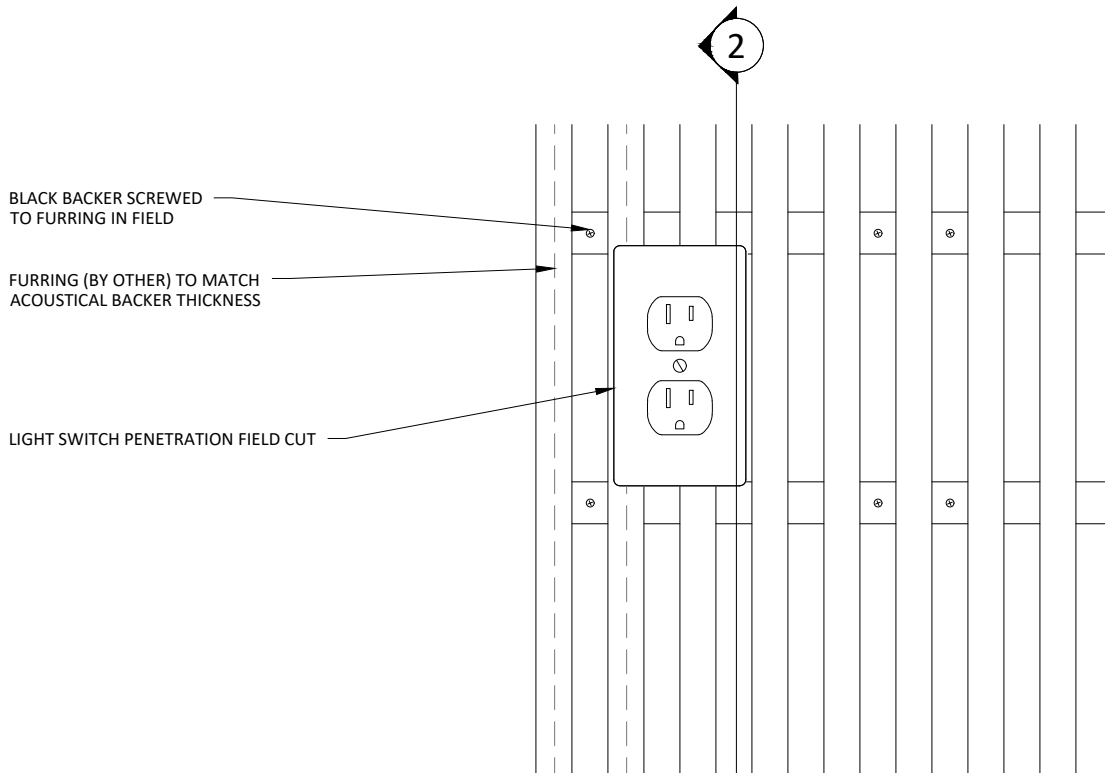
2



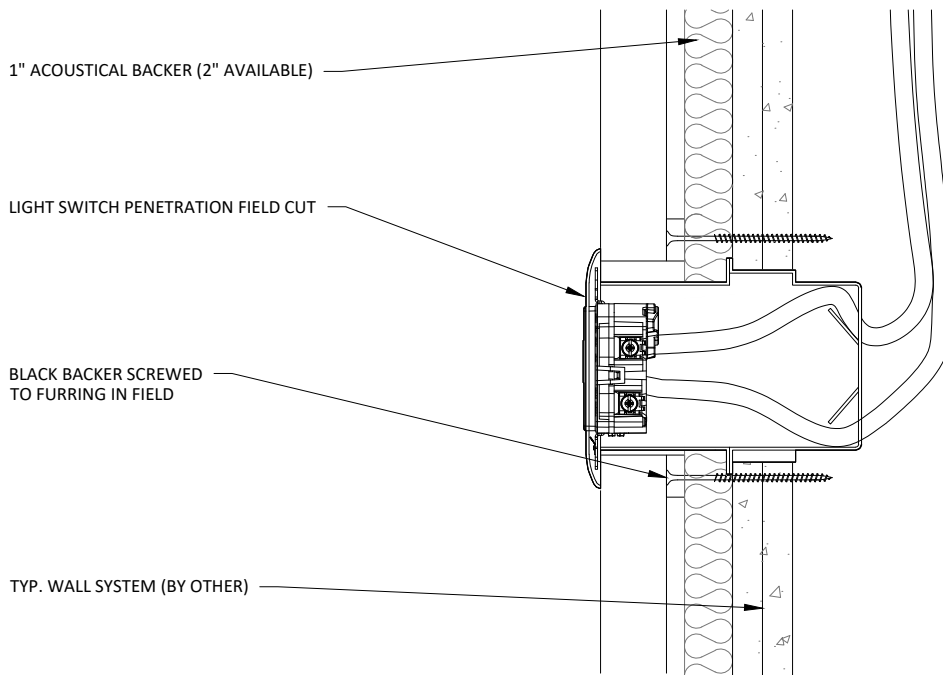
1 VERTICAL WALL PLAN @ TRIM
3" = 1'-0"



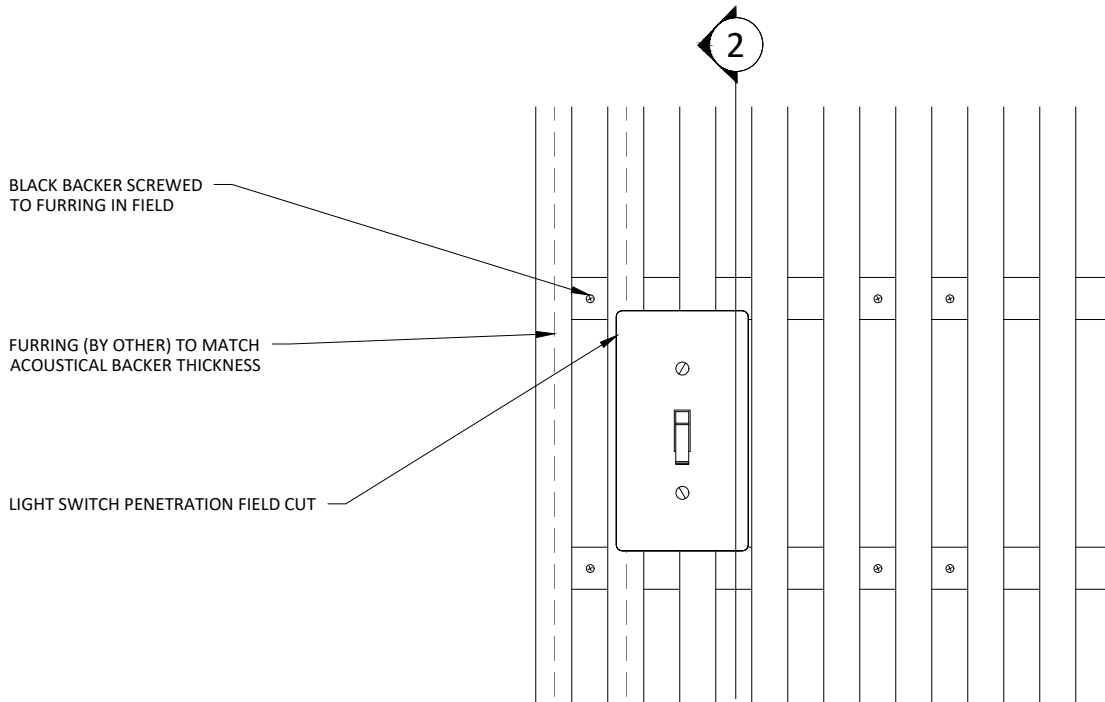
2 VERTICAL WALL ELEVATION @ TRIM
3" = 1'-0"



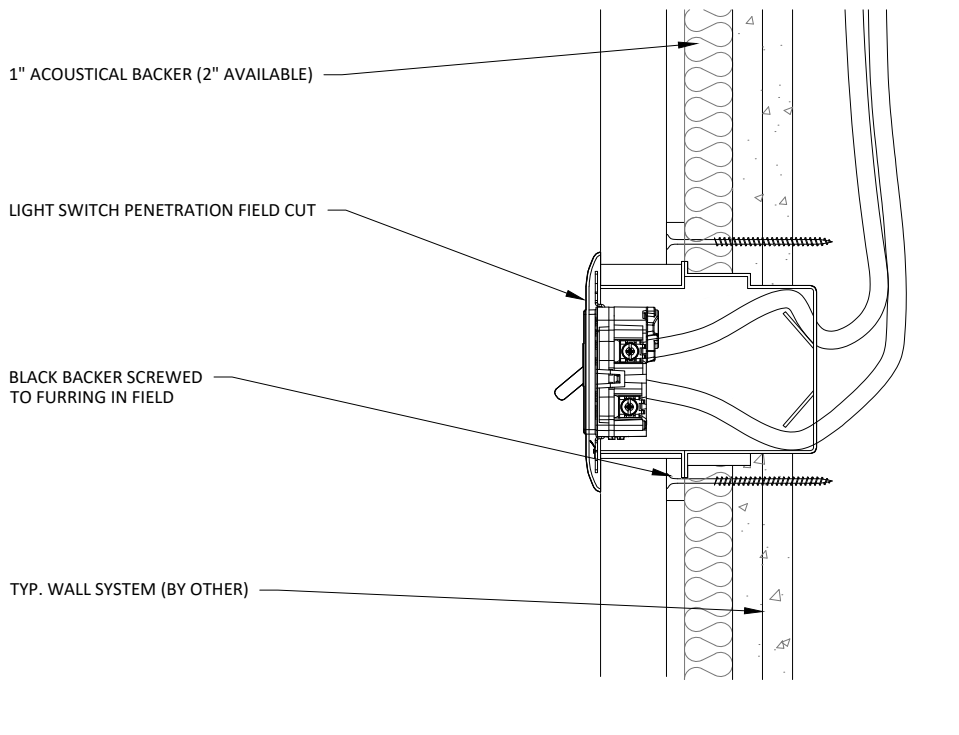
1 VERTICAL WALL ELEVATION @ OUTLET
3" = 1'-0"



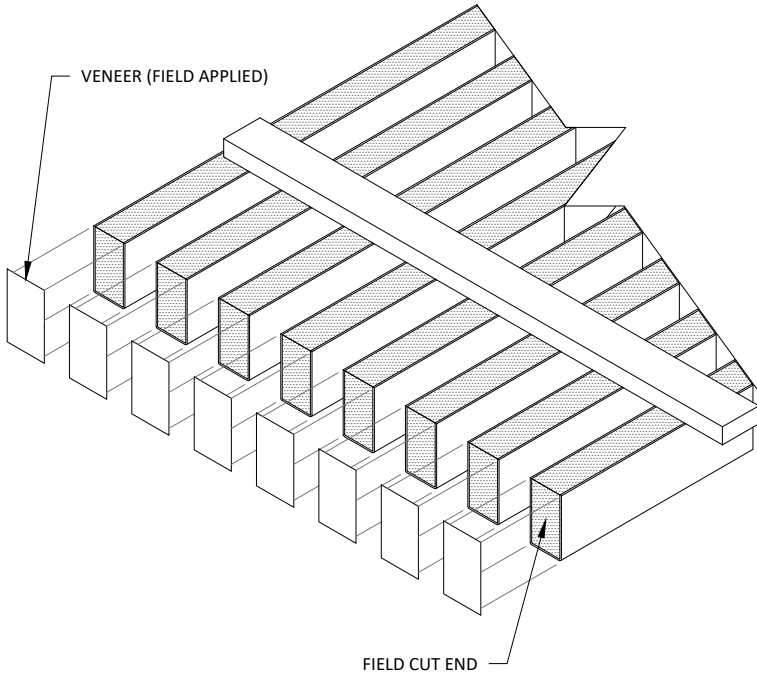
2 VERTICAL WALL SECTION @ OUTLET
3" = 1'-0"



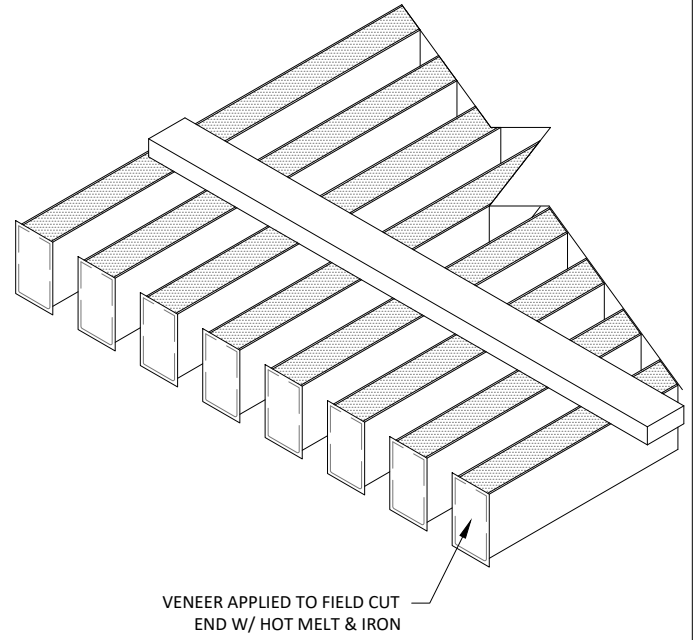
1 VERTICAL WALL ELEVATION @ LIGHT SWITCH
3" = 1'-0"



2 VERTICAL WALL SECTION @ LIGHT SWITCH
3" = 1'-0"

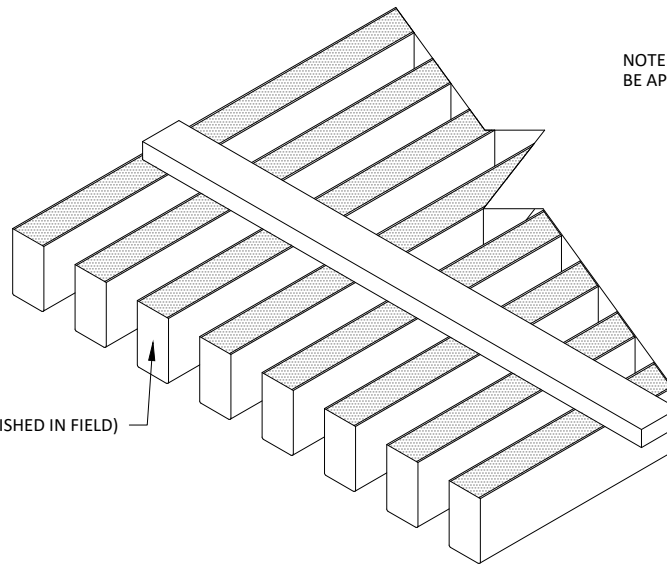


1 STEP 1
3" = 1'-0"



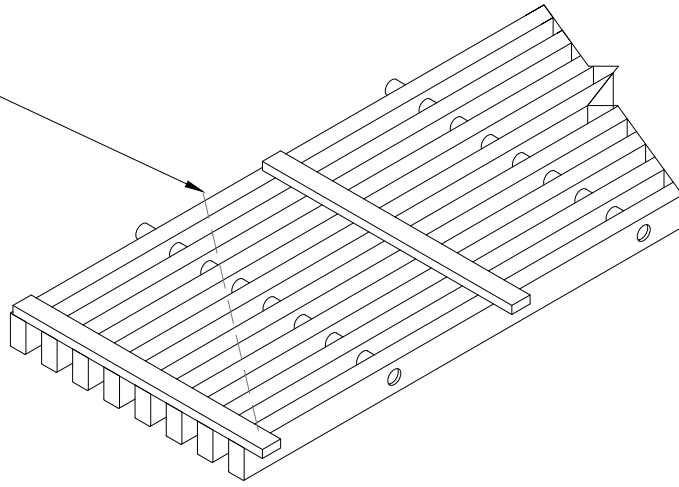
2 STEP 2
3" = 1'-0"

NOTE: FOR SOLID WOOD RAILS, NO VENEER NEEDS TO BE APPLIED - INSTEAD, REFINISH THE CUT END IN FIELD



3 STEP 3
3" = 1'-0"

DESIRED FIELD CUT ANGLE

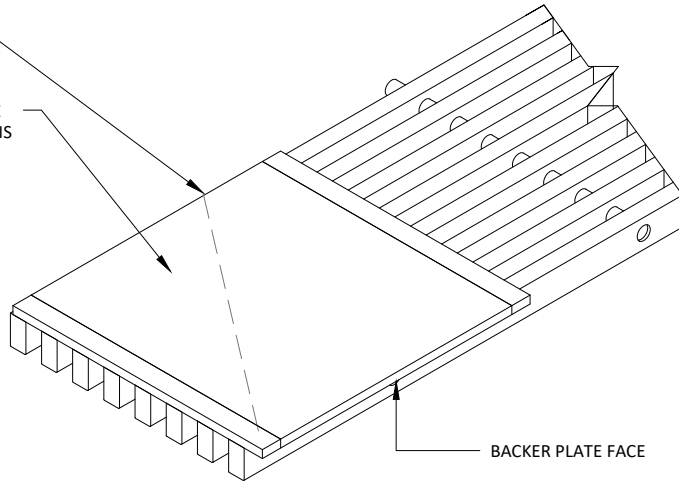


1 ANGLE-CUT STEP 1

1 1/2" = 1'-0"

DESIRED FIELD CUT ANGLE

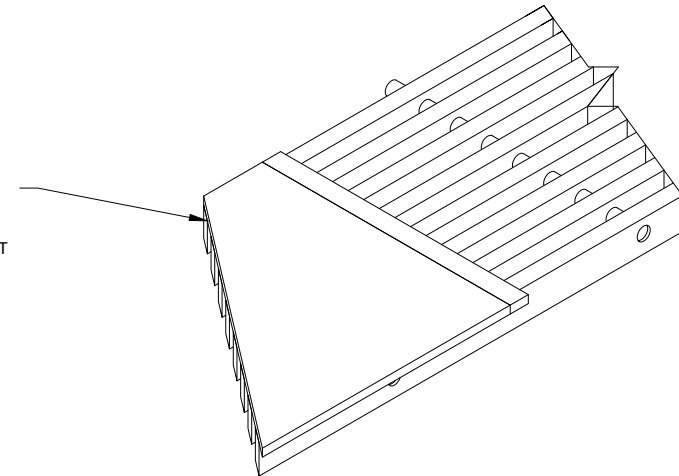
STAPLE 3/8" THICK PLYWOOD BACKER PLATE (BY OTHER) TO GRILLE RAILS. BACKER PLATE IS TO BE PAINTED BLACK ON FACE.



2 ANGLE-CUT STEP 2

1 1/2" = 1'-0"

ONCE BACKER PLATE IS FASTENED TO GRILLE PANEL, CUT DESIRED LINE AND FINISH ENDS AS SHOWN IN THE FIELD FINISHED END INSTRUCTIONS IN THIS STANDARD DETAIL SET



3 ANGLE-CUT STEP 3

1 1/2" = 1'-0"