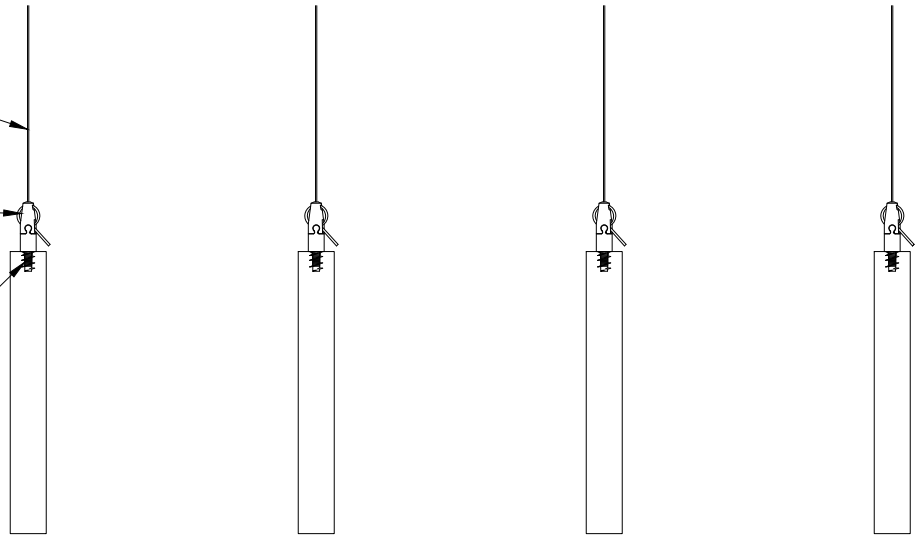


AIRCRAFT CABLE (TYP)

GRIPPLE ANGEL HANGER SIDE EXIT MALE (TYP)

THREADED INSERT (FACTORY INSTALLED)



SPACING DETERMINED IN FIELD BY OTHER

1

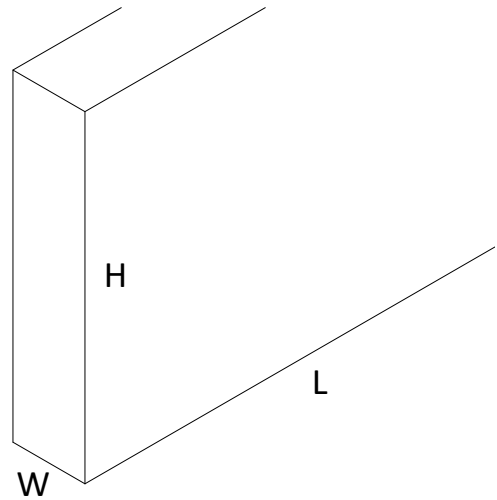
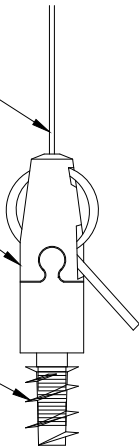
BAFFLE SECTION DETAIL

1 1/2" = 1' 0"

AIRCRAFT CABLE

GRIPPLE ANGEL HANGER SIDE EXIT MALE

THREADED INSERT



2

GRIPPLE ANGEL HANGER

6" = 1' 0"

3

TYPICAL BAFFLE OPTIONS

3" = 1' 0"

BAFFLE SIZE OPTIONS			
WIDTHS	1"	1 -1/4"	1 -1/2"
HEIGHTS	5 -3/4"	7 -3/4"	11 -3/4"
LENGTHS	8'-0"	10'-0"	CUSTOM UP TO 10'-0"



123 Columbia Court North, Chaska, Minnesota 55318 P. 800.527.6253

BAFFLE SYSTEM - SECTION DETAIL, HARDWARE & PANEL OPTIONS

SCALE: AS NOTED

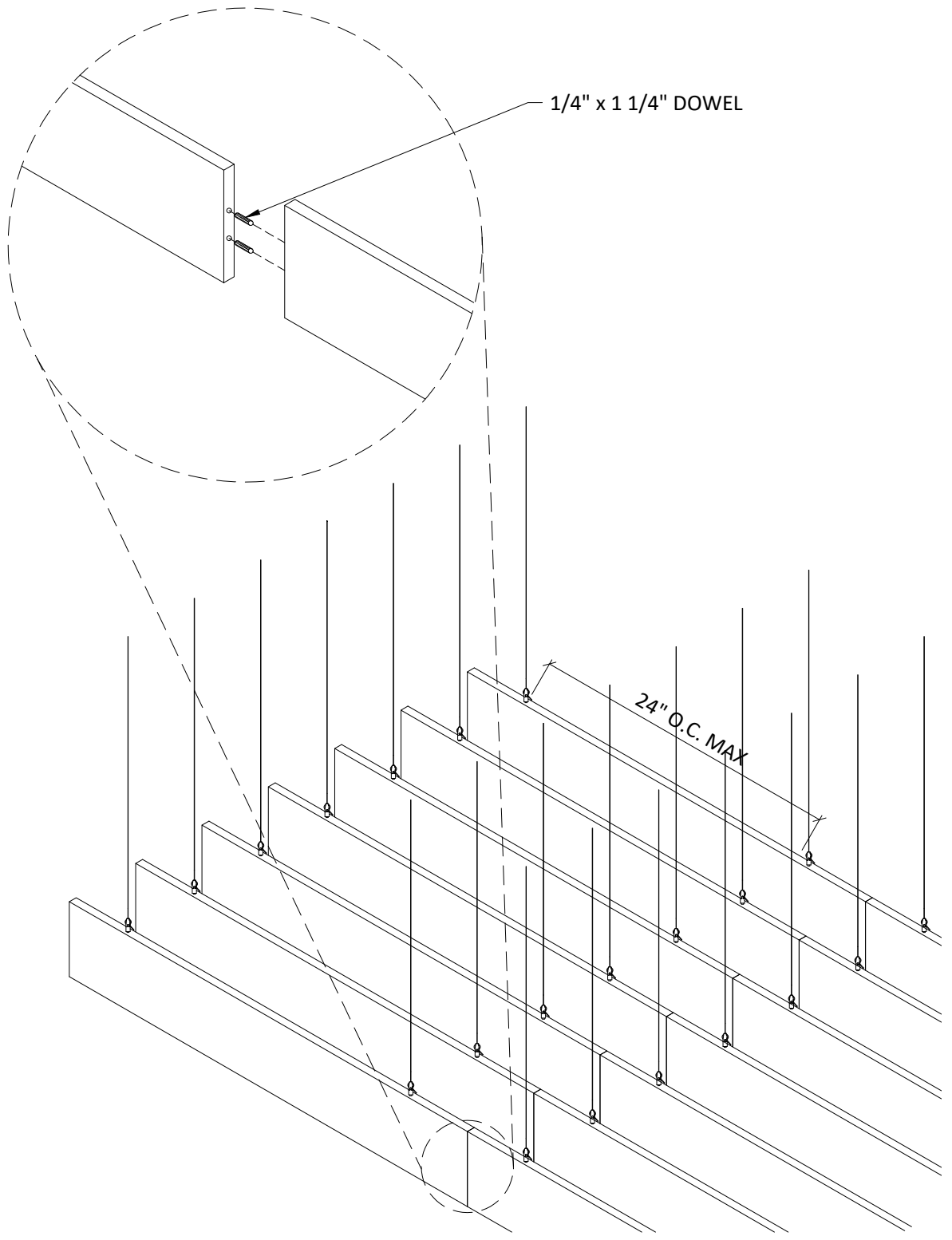
LAST REVISED: 4/3/2024

DO NOT SCALE DRAWING. FIGURED DIMENSIONS ARE TO BE FOLLOWED. READ THIS DRAWING IN CONNECTION WITH GENERAL ARCHITECTURAL PLANS, STRUCTURAL PLANS, AND OTHER RELATED DRAWINGS. THESE DRAWINGS REPRESENT ASI'S UNDERSTANDING AND INTERPRETATION OF THE ARCHITECTURAL DRAWINGS AND HOW ASI PRODUCTS RELATE TO THE PROJECT. COPYRIGHT ASI © 2024

SHEET NUMBER

1

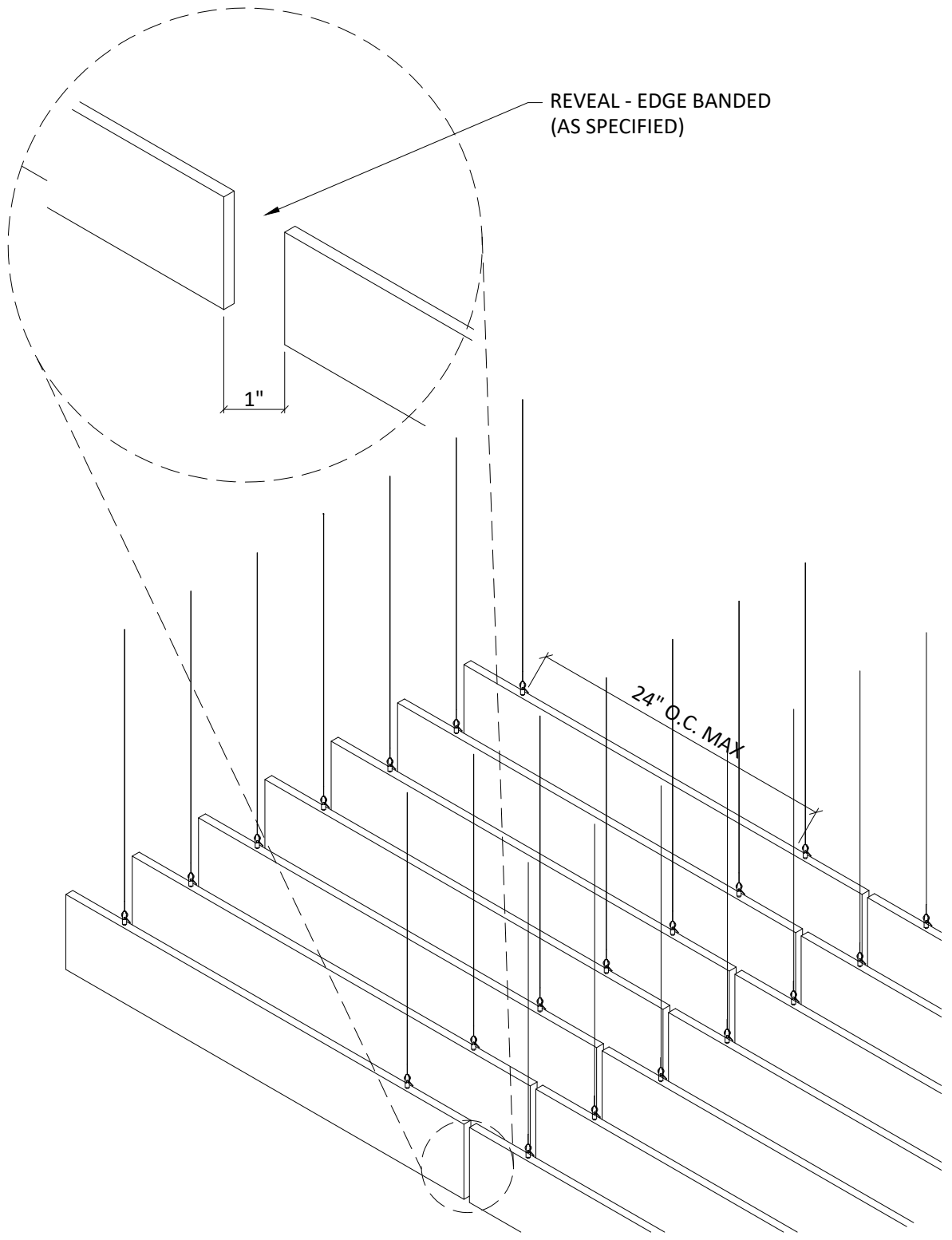
DRAWN BY: TL



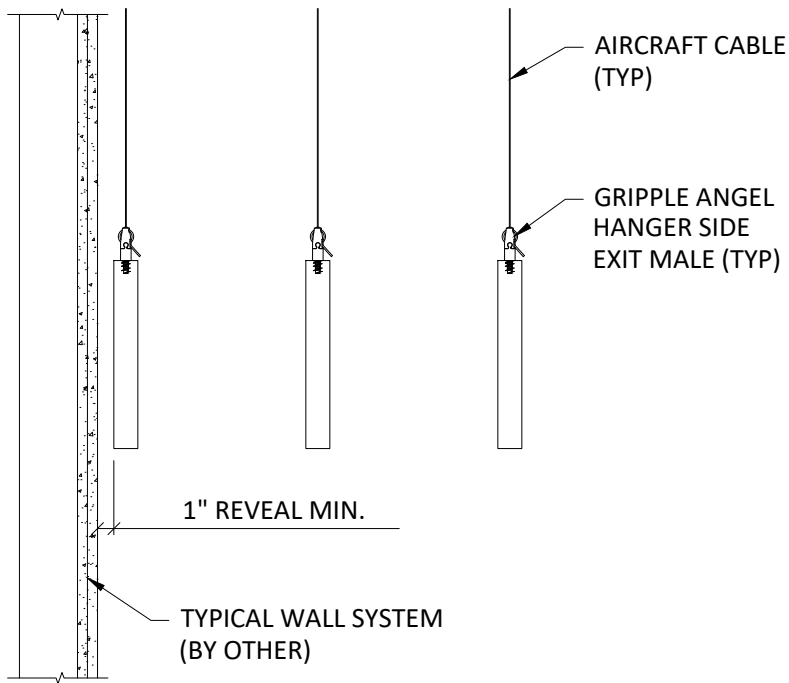
1/4" x 1 1/4" DOWEL

24" O.C. MAX

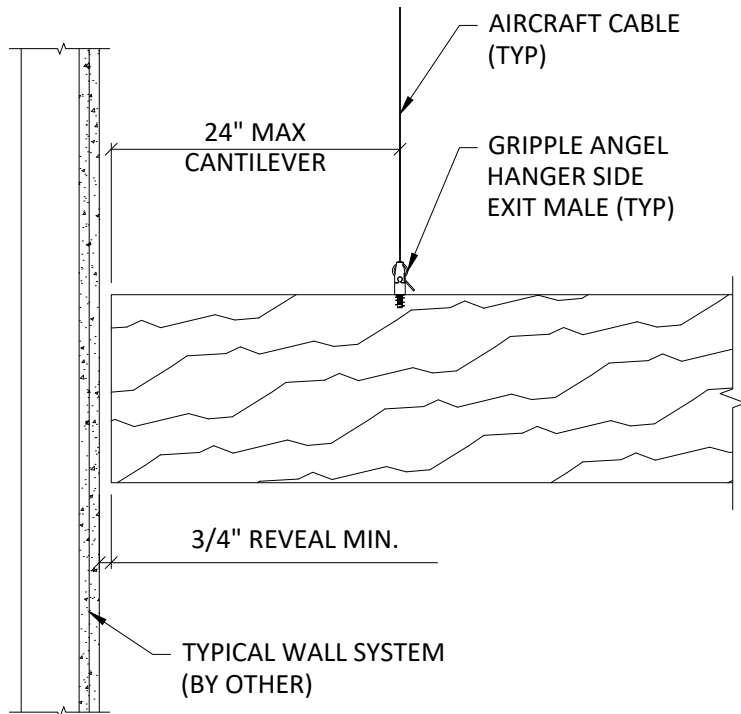
1 CEILING ISOMETRIC
1/2" = 1' 0"



1 CEILING ISOMETRIC
 1/2" = 1' 0"



1 PERIMETER CONDITION (FRONT)
1" = 1' 0"



2 PERIMETER CONDITION (SIDE)
1" = 1' 0"