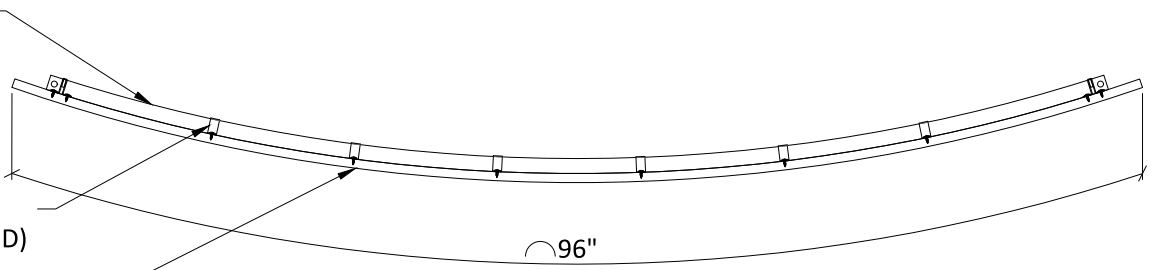


NOTE: PANELS AND METAL FRAMES MAY COME IN CUSTOM SIZES AND CURVES AS SPECIFIED. ABSORBER PANELS ARE BACKED WITH 1" OR 2" ACOUSTICAL BACKER AND MAY COME IN CUSTOM PERFORATION PATTERNS (STANDARD PATTERNS AT END OF DETAIL BOOK)

CUSTOM METAL FRAME

FRAME SADDLE (FACTORY APPLIED)

3/4" THICK PANEL PER SPECIFICATION

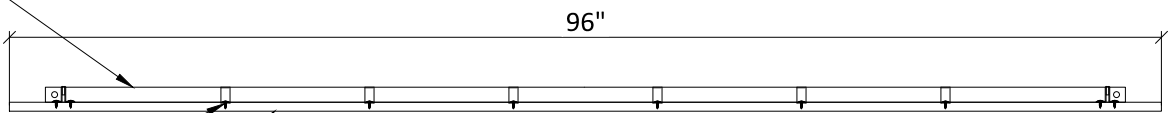


1 TYPICAL CONVEX CLOUD SECTION
3/4" = 1'-0"

CUSTOM METAL FRAME

FRAME SADDLE (FACTORY APPLIED)

3/4" THICK PANEL PER SPECIFICATION

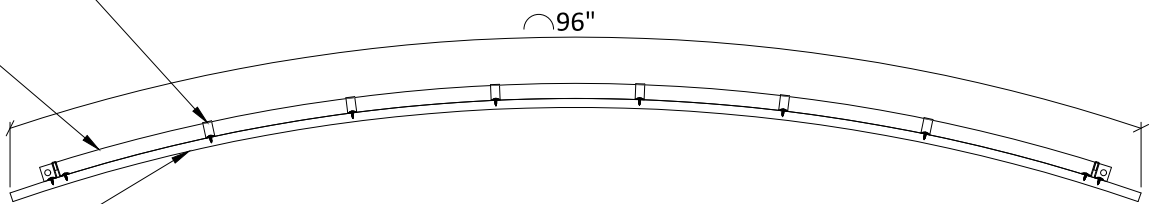


2 TYPICAL FLAT CLOUD SECTION
3/4" = 1'-0"

FRAME SADDLE (FACTORY APPLIED)

CUSTOM METAL FRAME

3/4" THICK PANEL PER SPECIFICATION



3 TYPICAL CONCAVE CLOUD SECTION
3/4" = 1'-0"



123 Columbia Court North, Chaska, Minnesota 55318 P. 800.527.6253

CLOUD - TYPICAL CLOUD SECTIONS

SCALE: AS NOTED

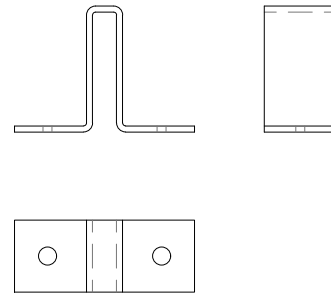
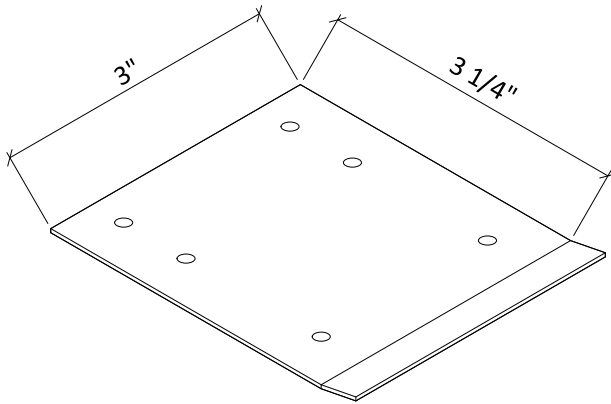
LAST REVISED: 8/22/2023

SHEET NUMBER

1

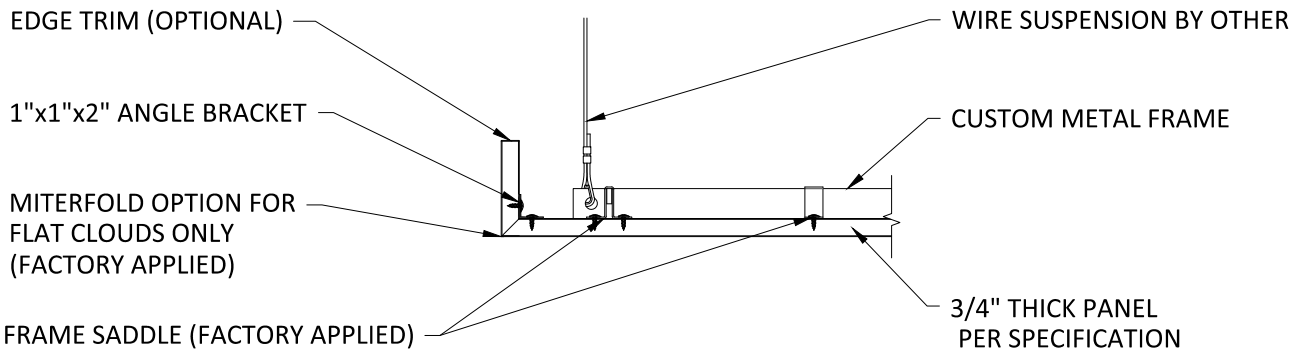
DRAWN BY: BH

DO NOT SCALE DRAWING. FIGURED DIMENSIONS ARE TO BE FOLLOWED. READ THIS DRAWING IN CONNECTION WITH GENERAL ARCHITECTURAL PLANS, STRUCTURAL PLANS, AND OTHER RELATED DRAWINGS. THESE DRAWINGS REPRESENT ASI'S UNDERSTANDING AND INTERPRETATION OF THE ARCHITECTURAL DRAWINGS AND HOW ASI PRODUCTS RELATE TO THE PROJECT. COPYRIGHT ASI © 2023

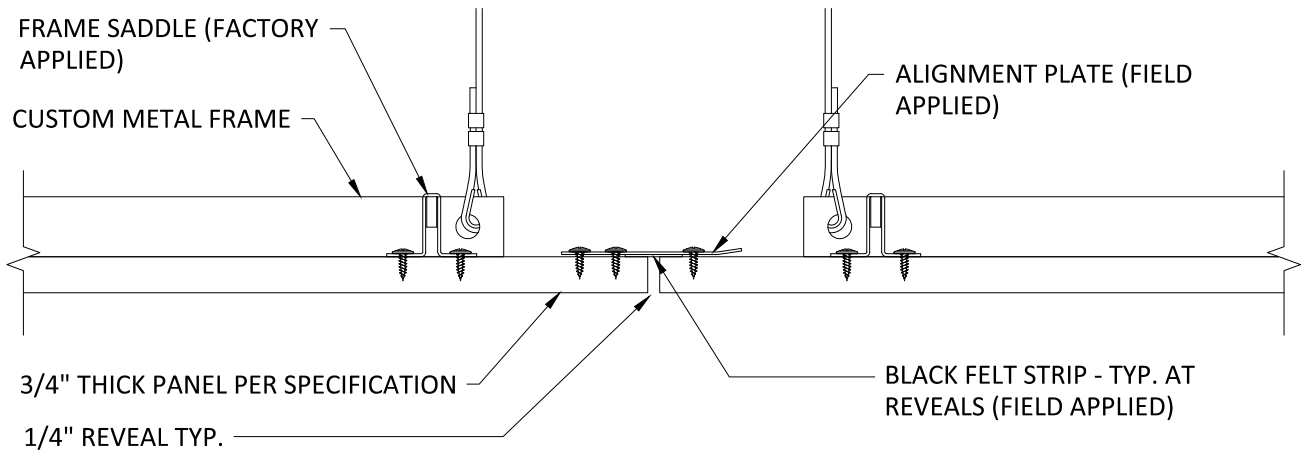


1 ALIGNMENT PLATE ISOMETRIC
6" = 1'-0"

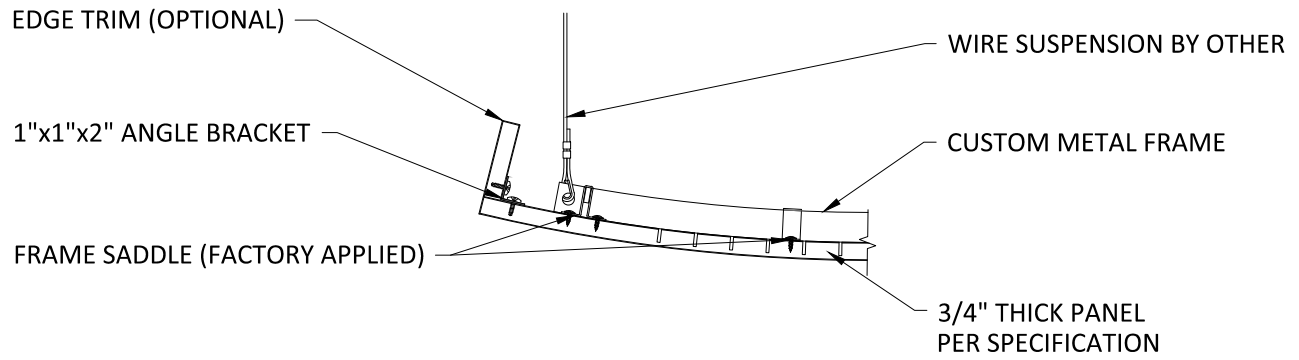
2 FRAME SADDLE DETAILS
6" = 1'-0"



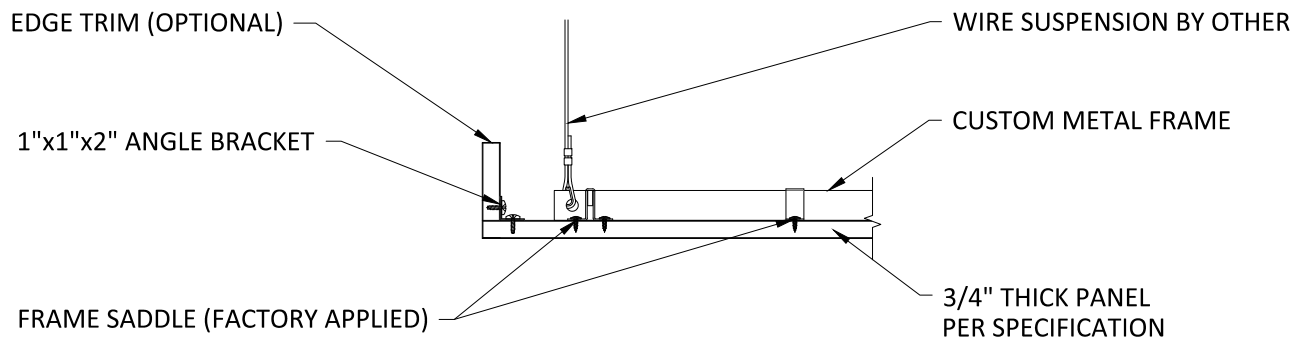
3 FLAT CLOUD TRIM DETAIL (MITERFOLD APPLICATION)
1 1/2" = 1'-0"



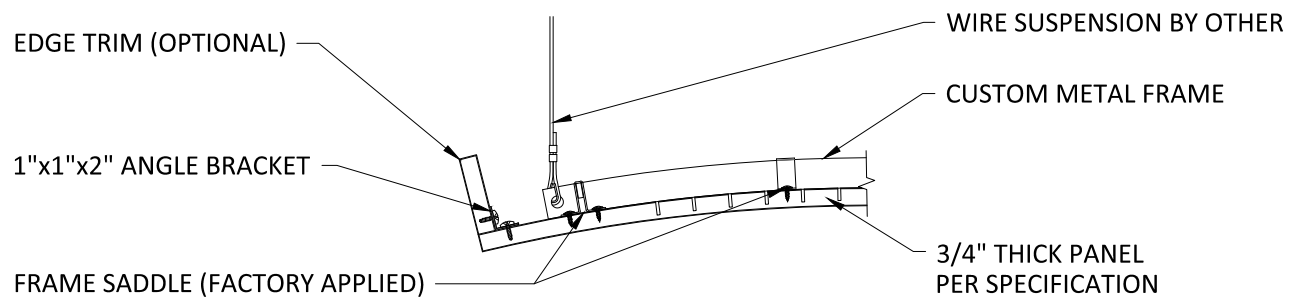
4 TYPICAL JOINT
3" = 1'-0"



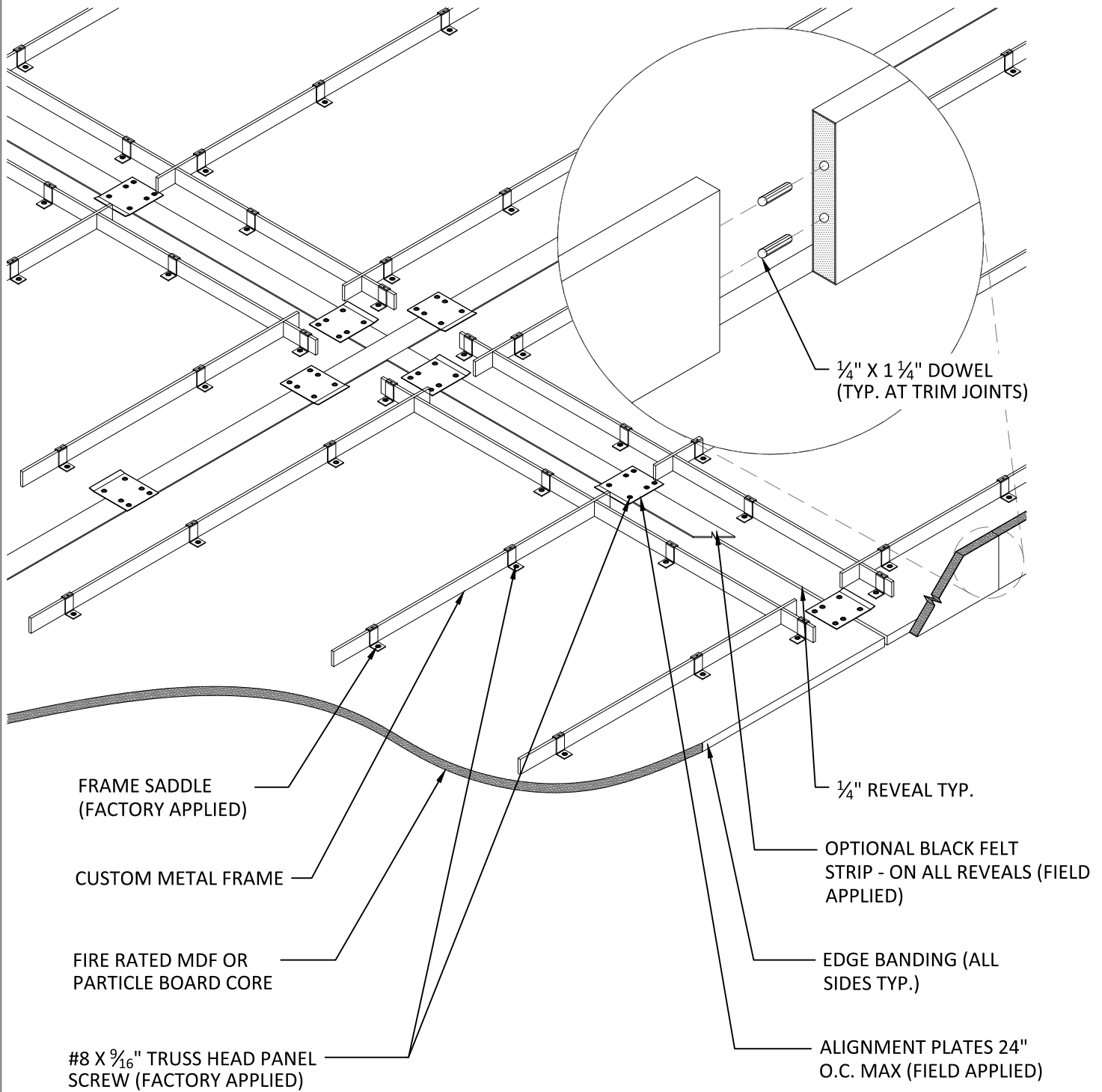
1 CONVEX CLOUD TRIM DETAIL
1 1/2" = 1'-0"



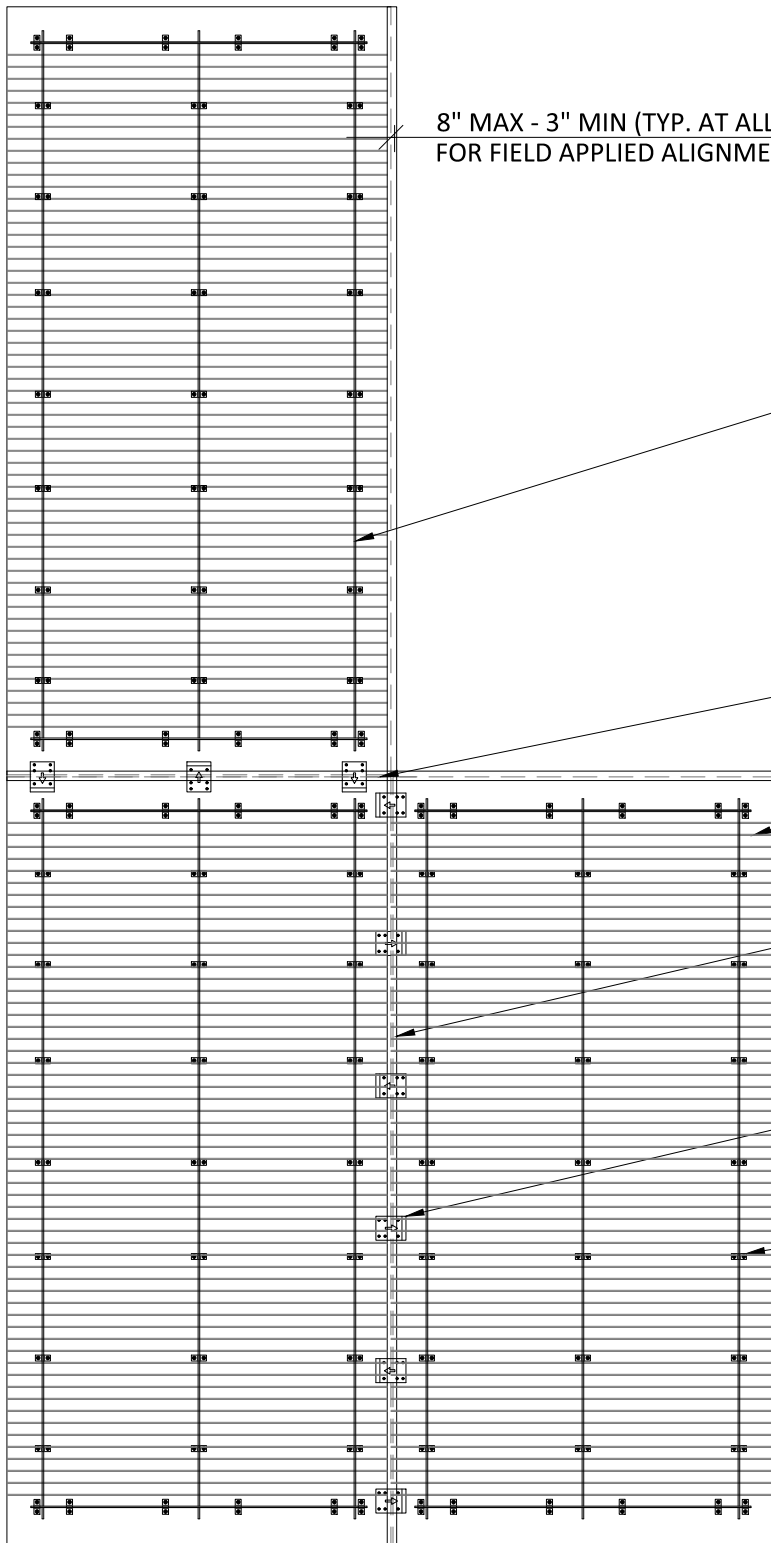
2 FLAT CLOUD TRIM DETAIL
1 1/2" = 1'-0"



3 CONCAVE CLOUD TRIM DETAIL
1 1/2" = 1'-0"



1 TYPICAL CLOUD ISOMETRIC
 1" = 1'-0"



8" MAX - 3" MIN (TYP. AT ALL EDGES)
FOR FIELD APPLIED ALIGNMENT PLATES

CUSTOM METAL FRAME PAINTED
BLACK (FACTORY APPLIED)

1/4" REVEAL TYP.

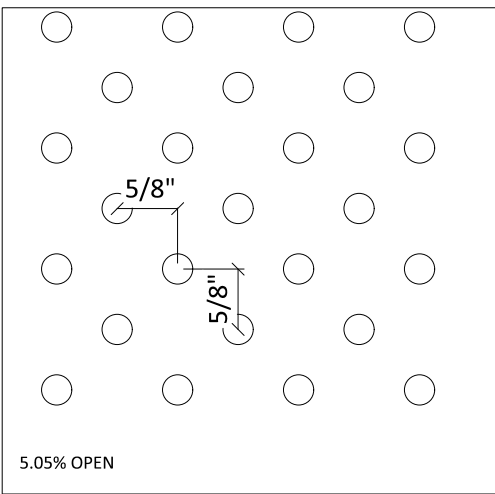
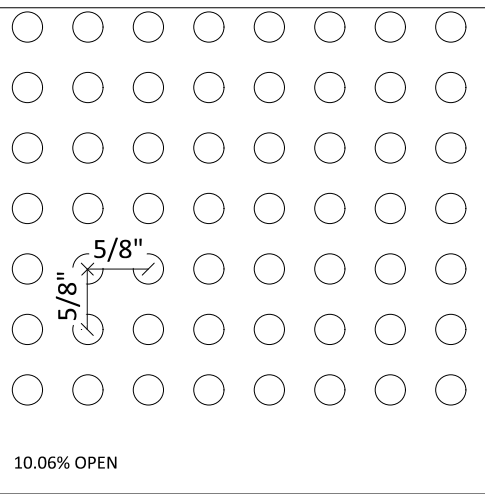
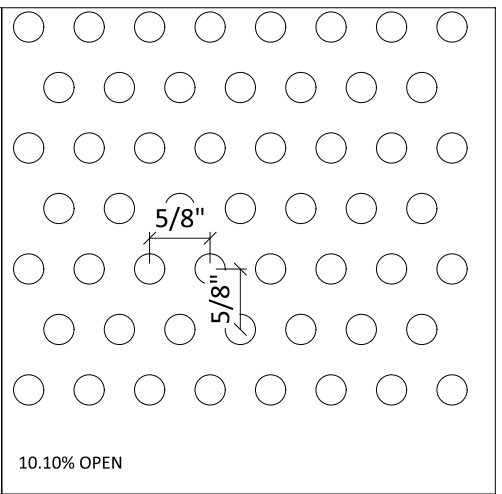
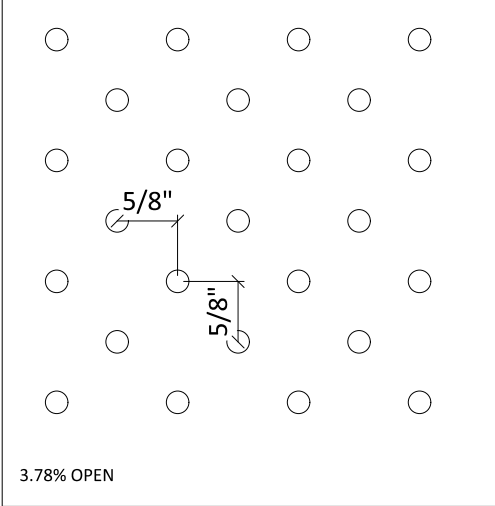
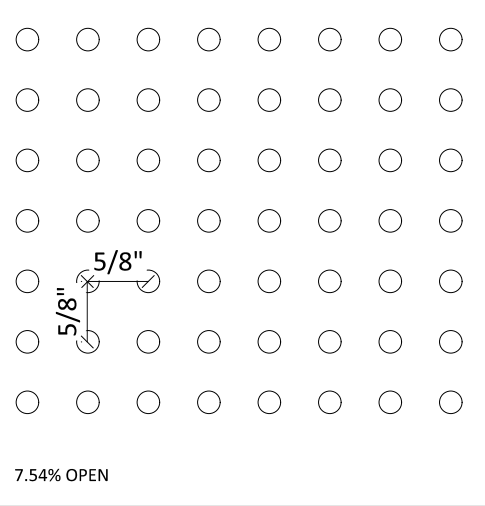
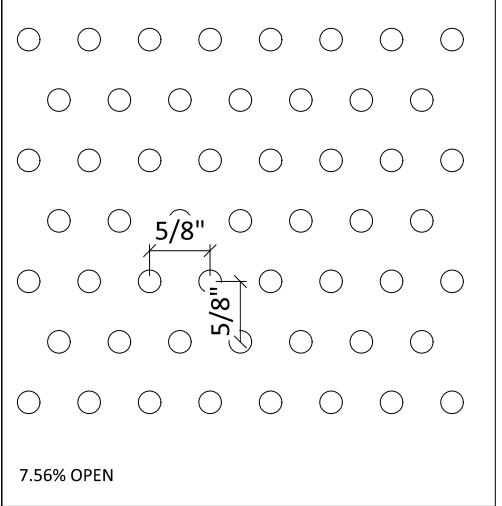
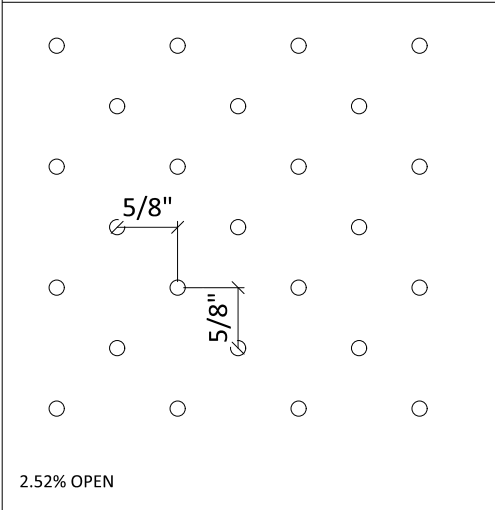
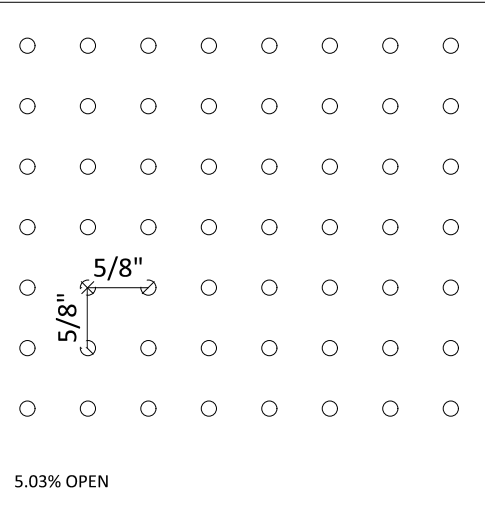
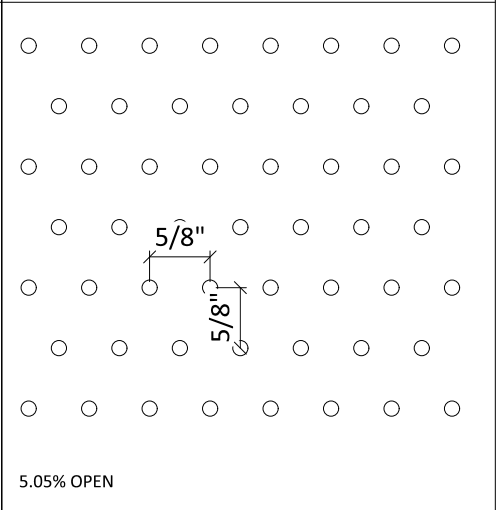
1/8" KERF CUTS (ON CURVED PANELS
ONLY)

OPTIONAL BLACK FELT
STRIP - TYP. ON ALL REVEALS (FIELD
APPLIED)

ALIGNMENT PLATES 24" O.C. MAX
(FIELD APPLIED)

FRAME SADDLE
(FACTORY APPLIED)

1 TYPICAL CLOUD LAYOUT
1/2" = 1'-0"

 <p>5.05% OPEN</p>	 <p>10.06% OPEN</p>	 <p>10.10% OPEN</p>
<p>DIAMOND: 8MM DIA./16MM SPACING</p>	<p>SQUARE: 8MM DIA./16MM SPACING</p>	<p>STAGGERED: 8MM DIA./16MM SPACING</p>
 <p>3.78% OPEN</p>	 <p>7.54% OPEN</p>	 <p>7.56% OPEN</p>
<p>DIAMOND: 6MM DIA./16MM SPACING</p>	<p>SQUARE: 6MM DIA./16MM SPACING</p>	<p>STAGGERED: 6MM DIA./16MM SPACING</p>
 <p>2.52% OPEN</p>	 <p>5.03% OPEN</p>	 <p>5.05% OPEN</p>
<p>DIAMOND: 4MM DIA./16MM SPACING</p>	<p>SQUARE: 4MM DIA./16MM SPACING</p>	<p>STAGGERED: 4MM DIA./16MM SPACING</p>

**ABSORBER STANDARD PERFORATION
 PATTERNS (16MM SPACING)**

<p>2.52% OPEN</p>	<p>5.03% OPEN</p>	<p>5.05% OPEN</p>
<p>DIAMOND: 8MM DIA./32MM SPACING</p>	<p>SQUARE: 8MM DIA./32MM SPACING</p>	<p>STAGGERED: 8MM DIA./32MM SPACING</p>
<p>1.89% OPEN</p>	<p>3.77% OPEN</p>	<p>3.78% OPEN</p>
<p>DIAMOND: 6MM DIA./32MM SPACING</p>	<p>SQUARE: 6MM DIA./32MM SPACING</p>	<p>STAGGERED: 6MM DIA./32MM SPACING</p>
<p>1.26% OPEN</p>	<p>2.51% OPEN</p>	<p>2.52% OPEN</p>
<p>DIAMOND: 4MM DIA./32MM SPACING</p>	<p>SQUARE: 4MM DIA./32MM SPACING</p>	<p>STAGGERED: 4MM DIA./32MM SPACING</p>