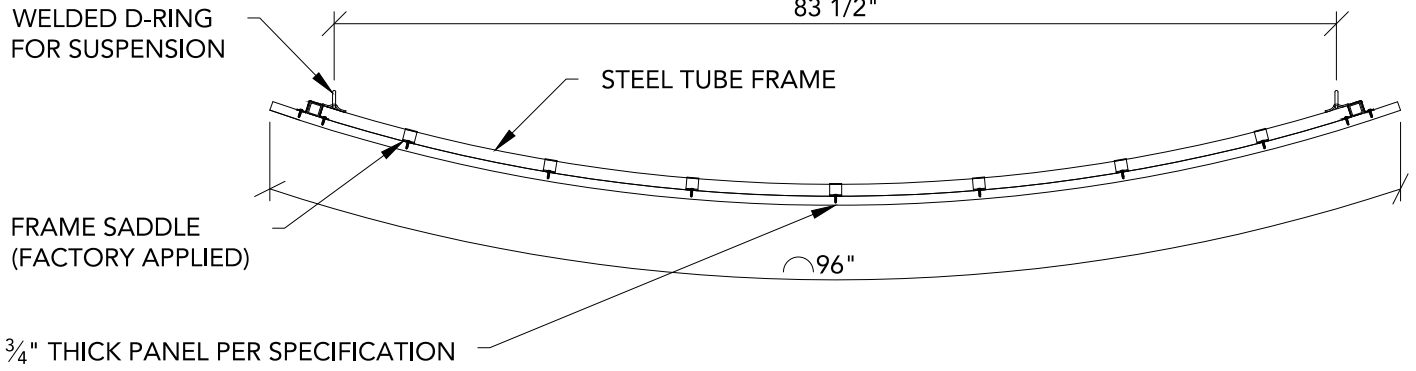
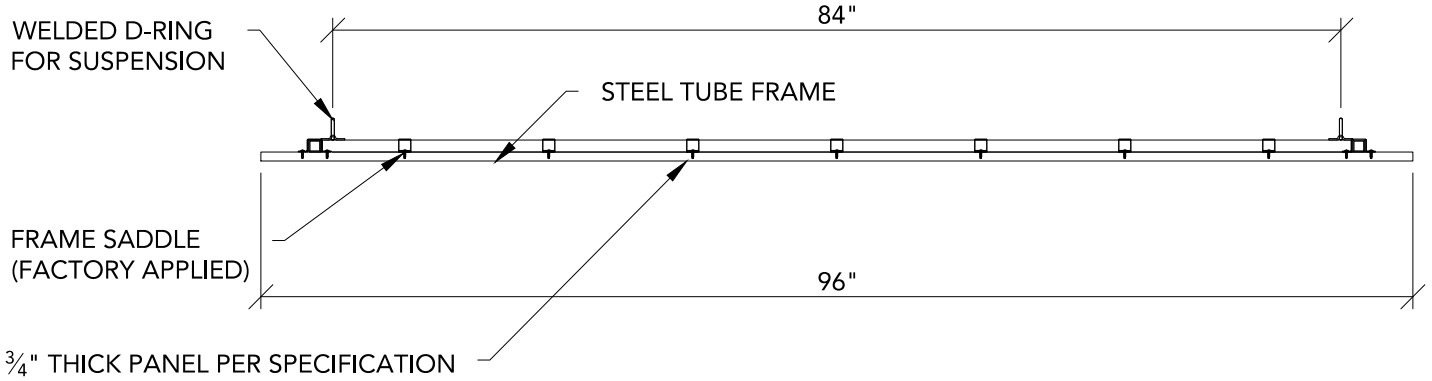


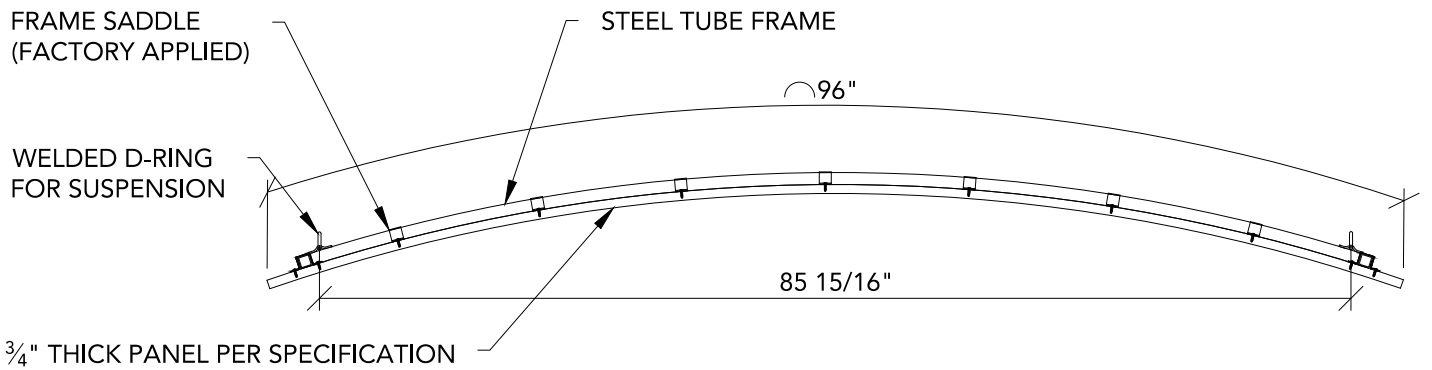
NOTE: PANELS AND STEEL FRAMES MAY COME IN CUSTOM SIZES AND CURVES AS SPECIFIED. ABSORBER PANELS ARE BACKED WITH 1" OR 2" ACOUSTICAL BACKER AND MAY COME IN CUSTOM PERFORATION PATTERNS (STANDARD PATTERNS AT END OF DETAIL BOOK)



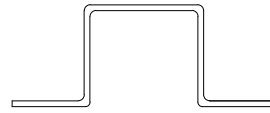
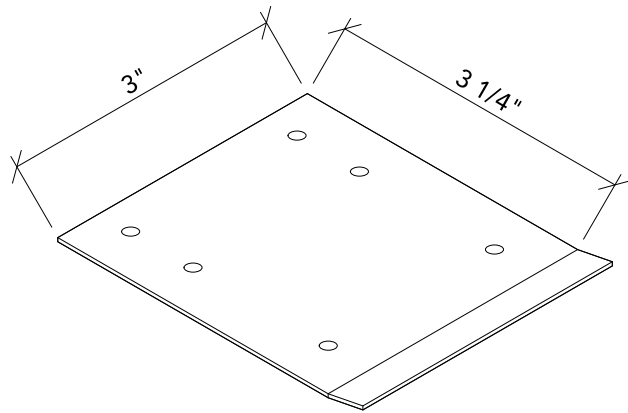
**1** TYPICAL CONVEX CLOUD SECTION  
3/4" = 1'-0"



**2** TYPICAL FLAT CLOUD SECTION  
3/4" = 1'-0"



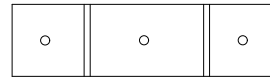
**3** TYPICAL CONCAVE CLOUD SECTION  
3/4" = 1'-0"



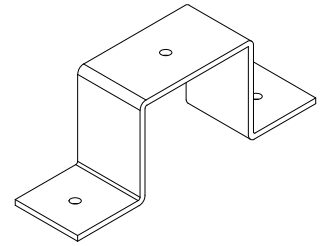
SIDE VIEW



END VIEW



TOP VIEW



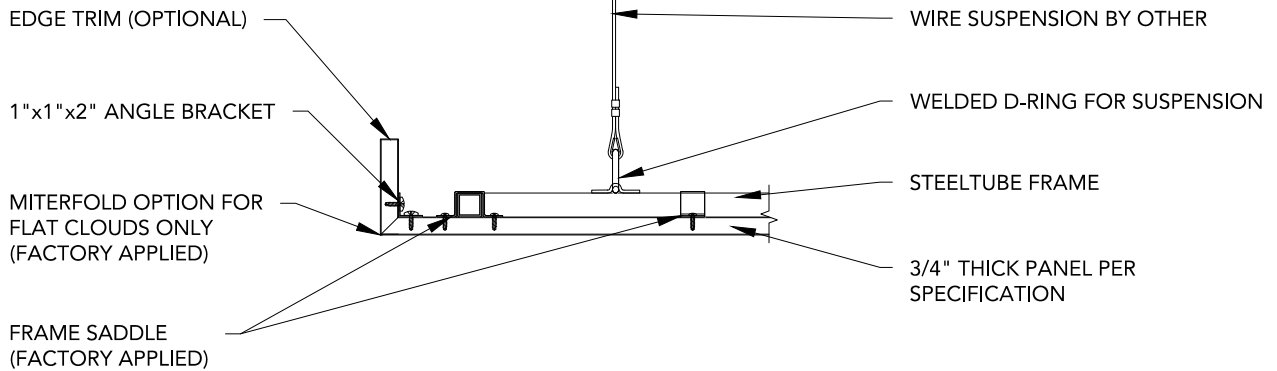
ISOMETRIC

### 1 ALIGNMENT PLATE ISOMETRIC

6" = 1'-0"

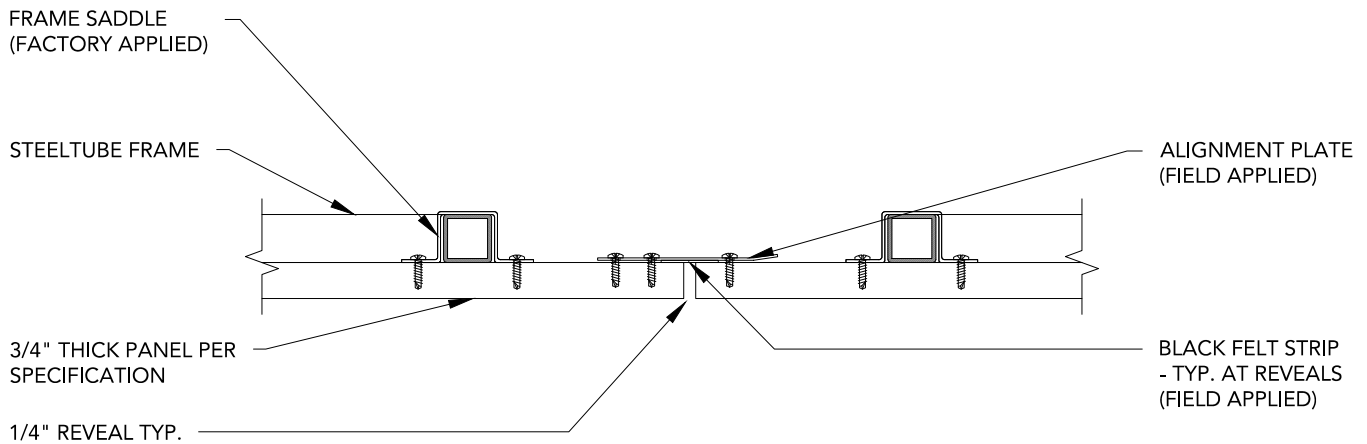
### 2 FRAME SADDLE DETAILS

6" = 1'-0"



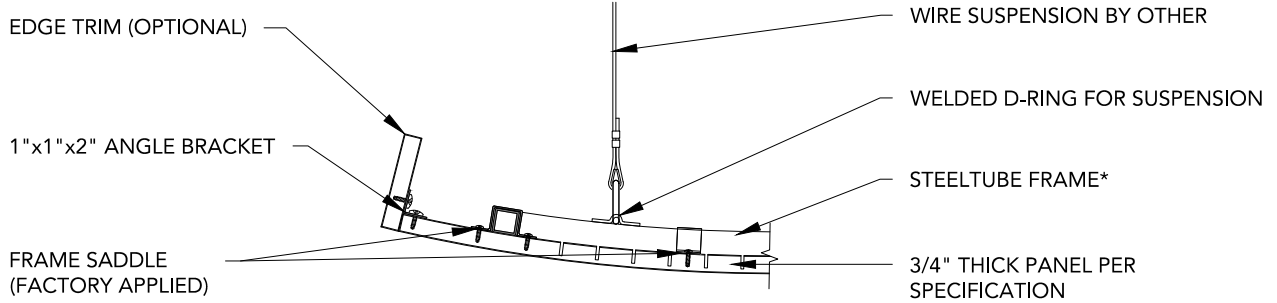
### 3 FLAT CLOUD TRIM DETAIL (MITERFOLD APPLICATION)

1 1/2" = 1'-0"



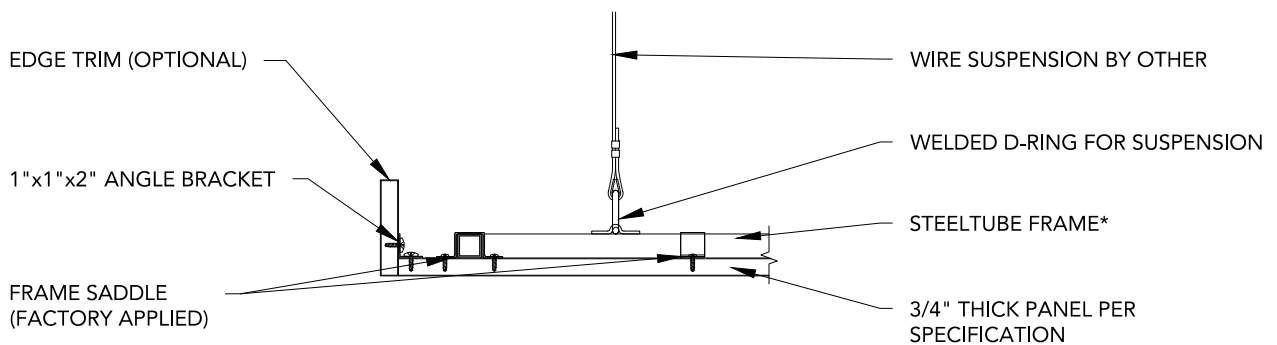
### 4 TYPICAL JOINT

3" = 1'-0"



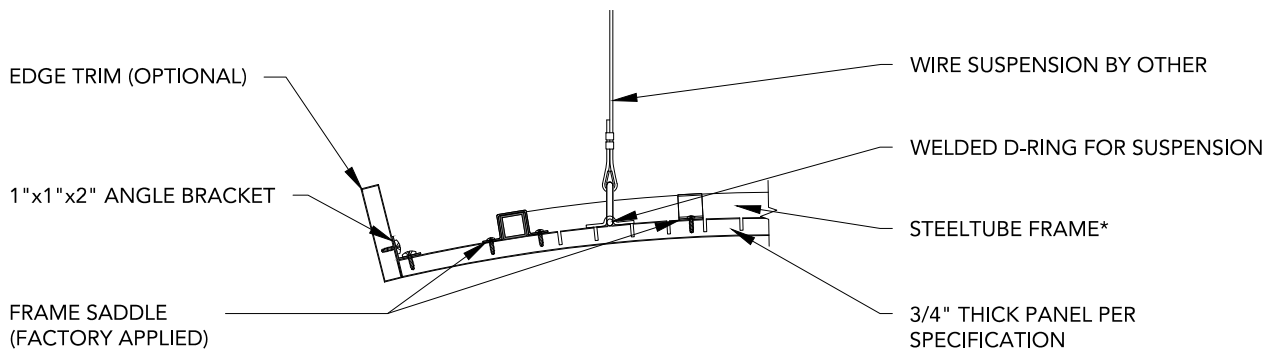
### 1 TYPICAL CONVEX CLOUD EDGE DETAIL

1 1/2" = 1'-0"



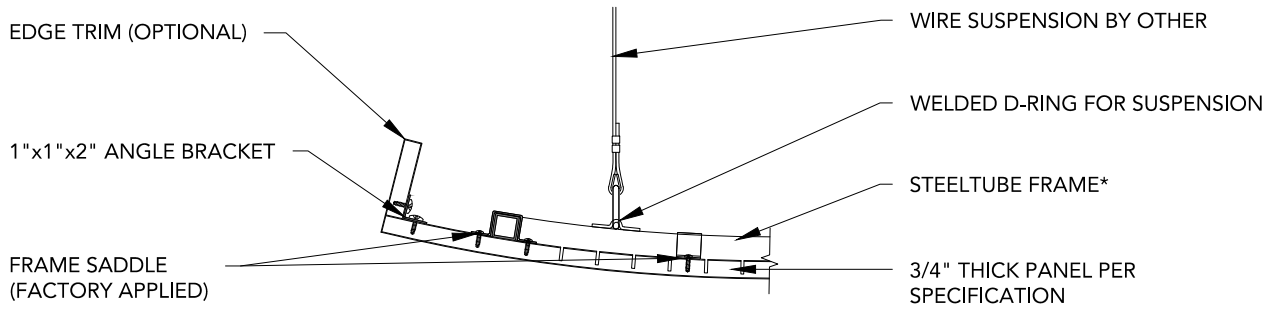
### 2 TYPICAL FLAT CLOUD EDGE DETAIL

1 1/2" = 1'-0"

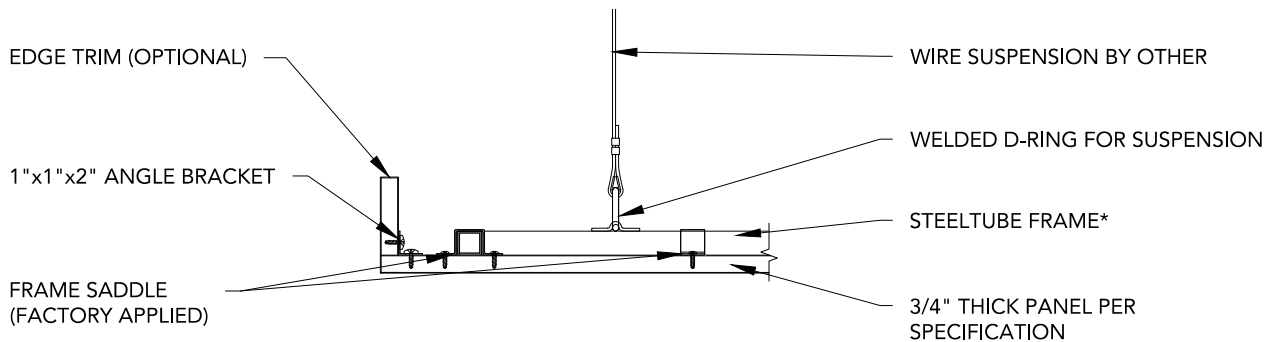


### 3 TYPICAL CONCAVE CLOUD DETAIL

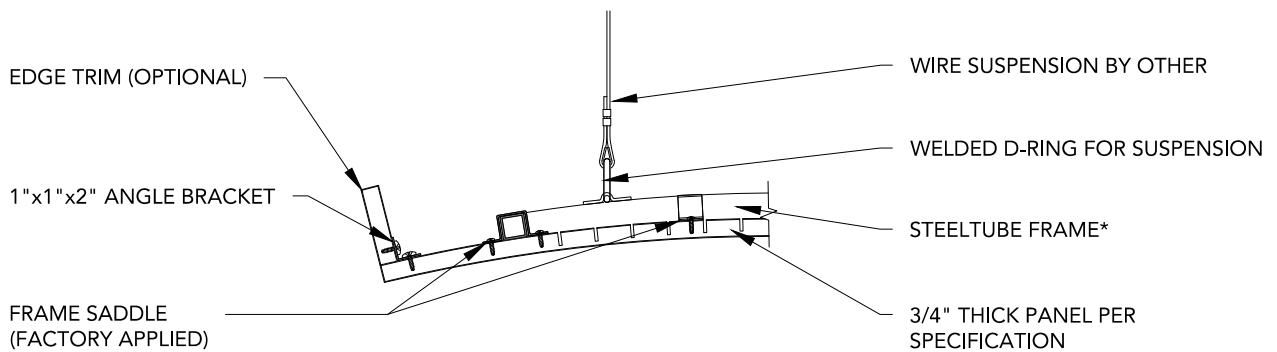
1 1/2" = 1'-0"



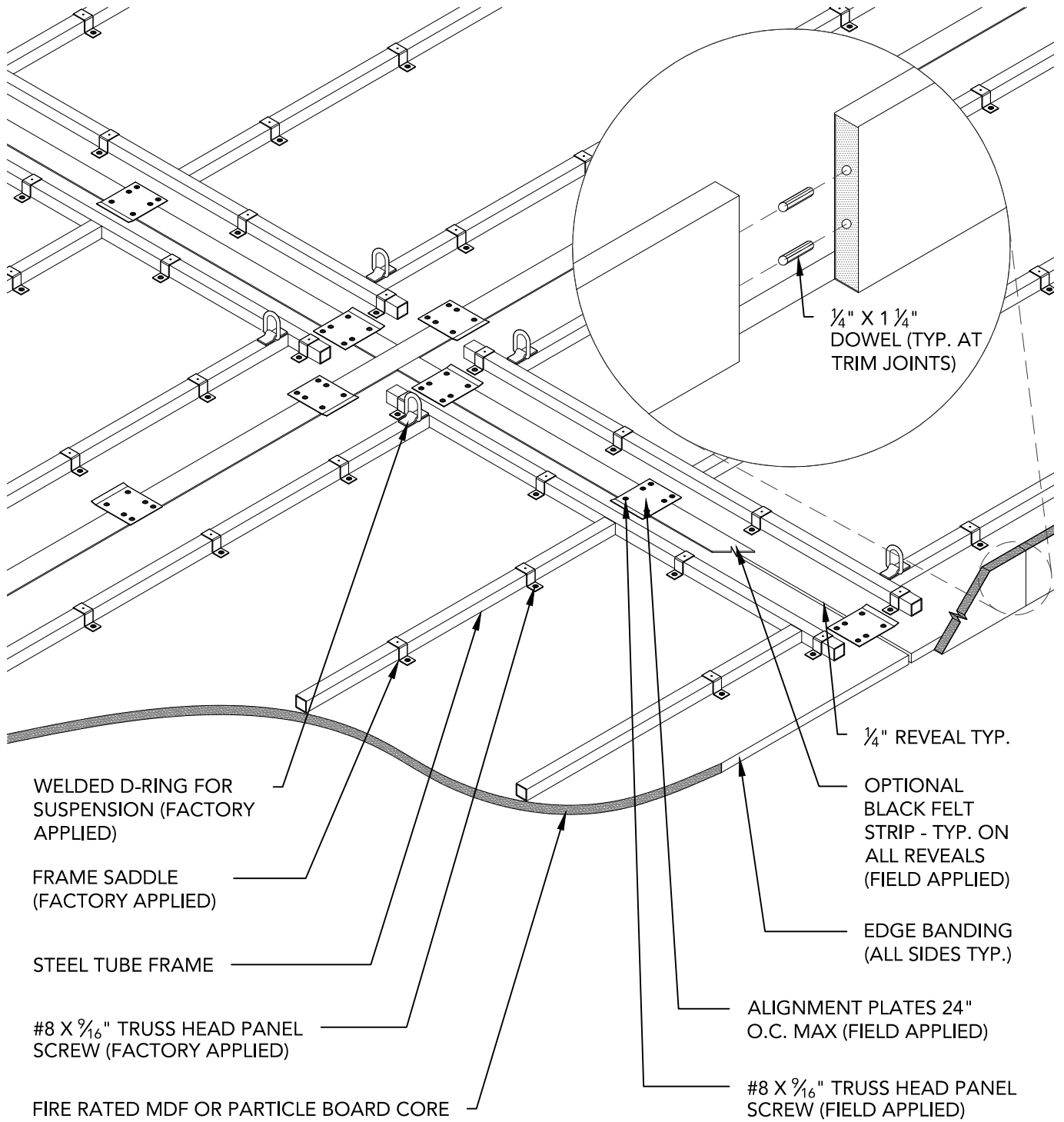
**1 CONVEX CLOUD TRIM DETAIL (TOP APPLICATION)**  
 1 1/2" = 1'-0"



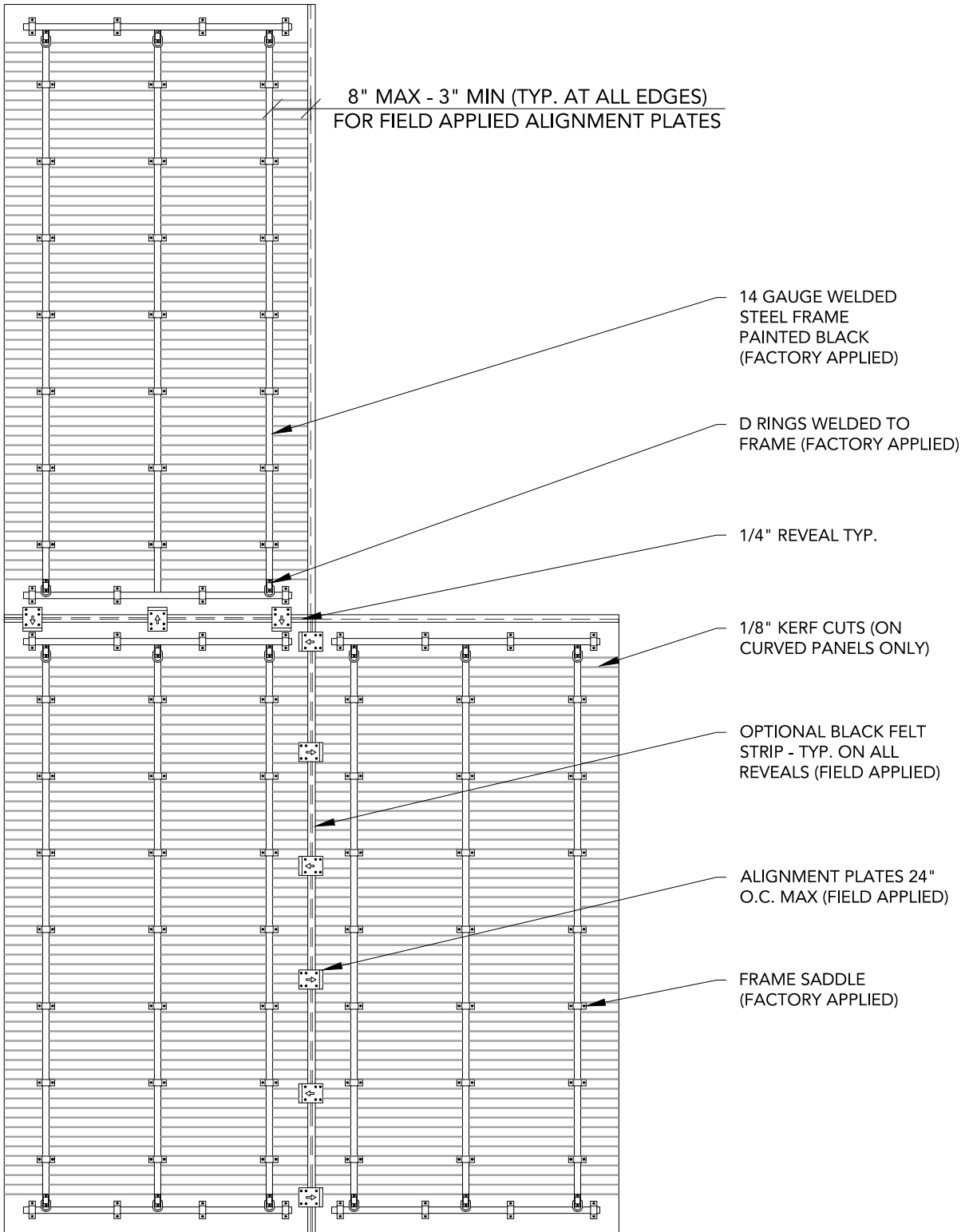
**2 FLAT CLOUD TRIM DETAIL (TOP APPLICATION)**  
 1 1/2" = 1'-0"



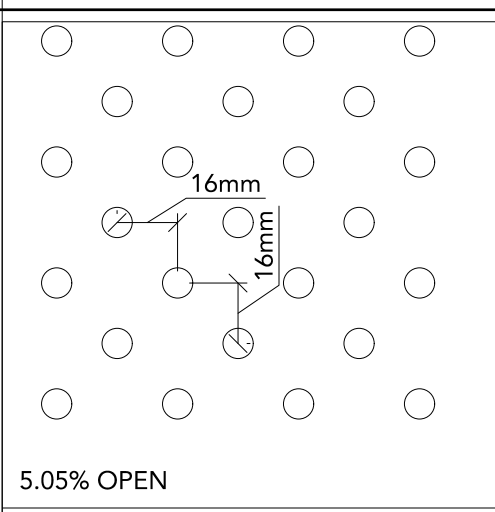
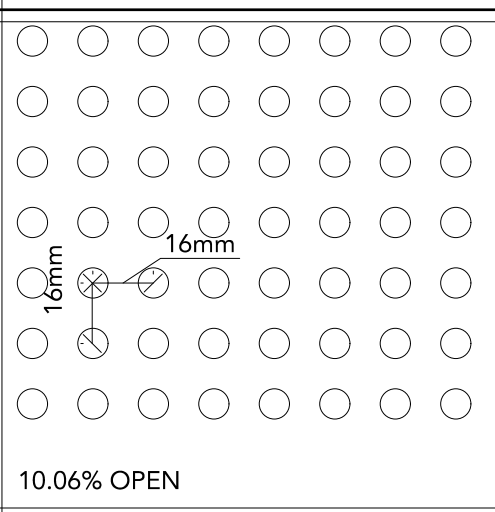
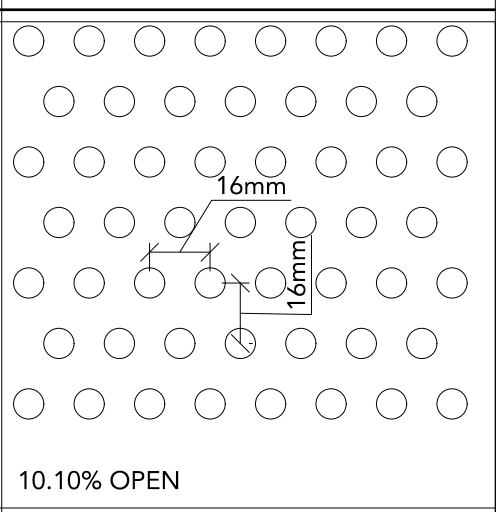
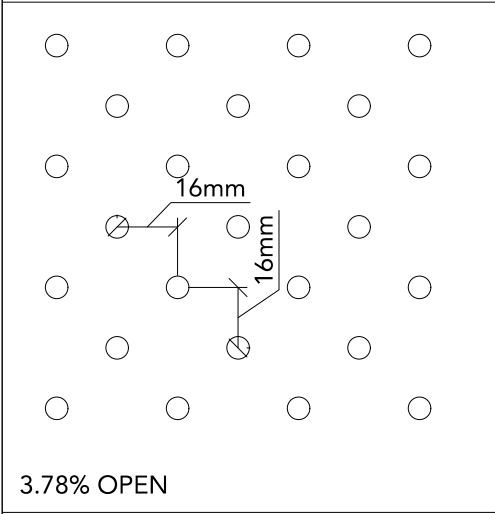
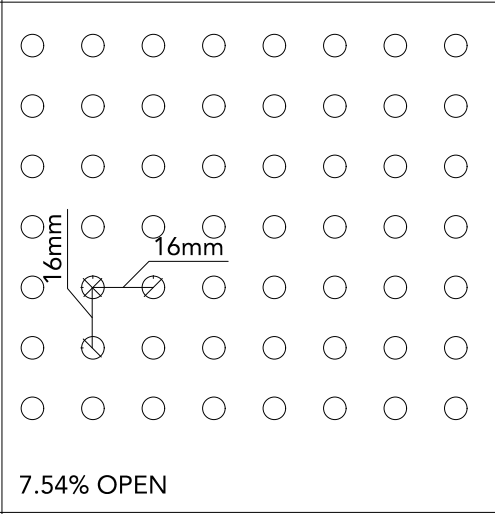
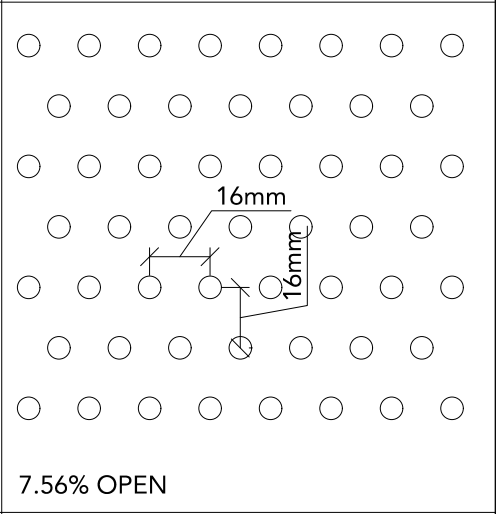
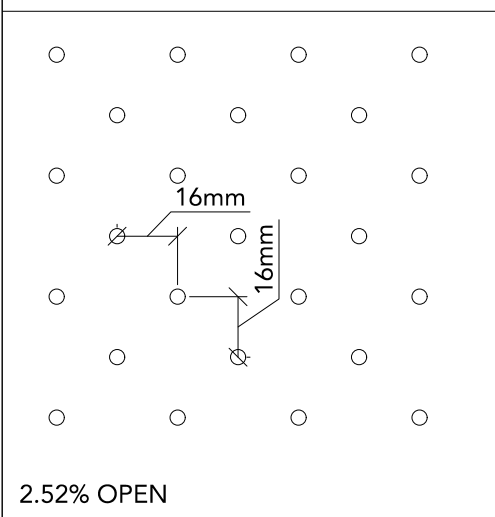
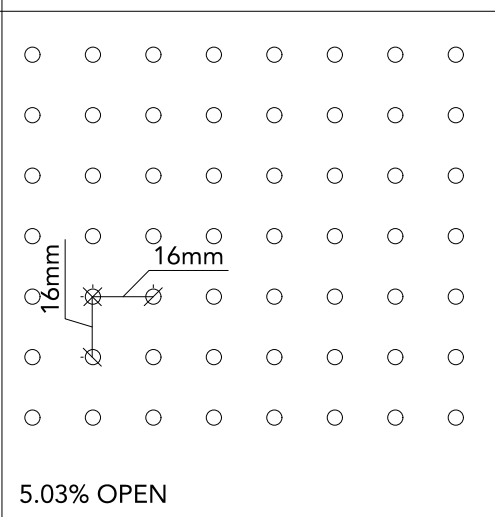
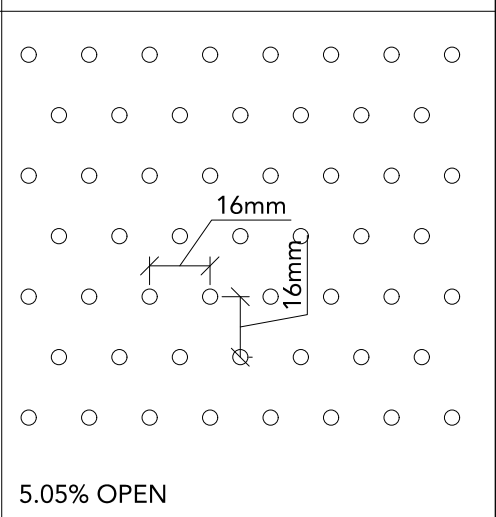
**3 CONCAVE CLOUD TRIM DETAIL (TOP APPLICATION)**  
 1 1/2" = 1'-0"

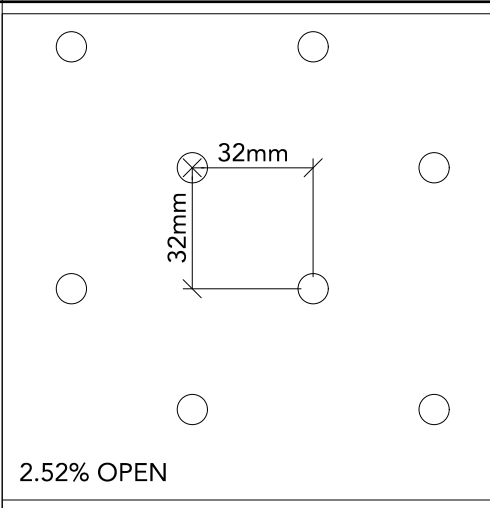
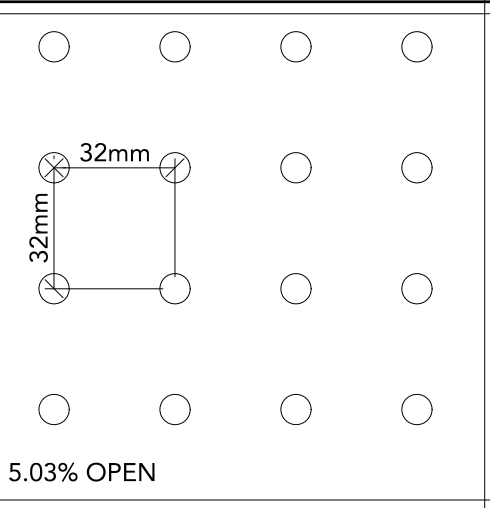
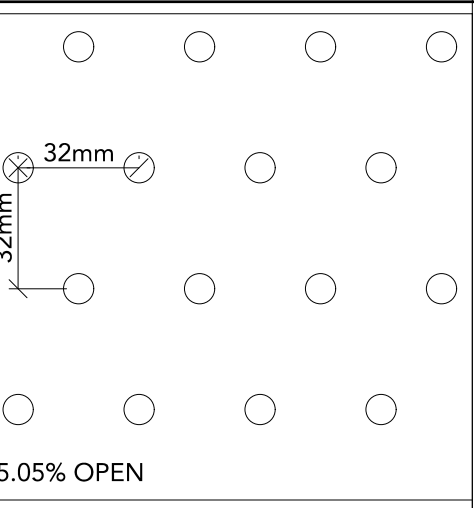
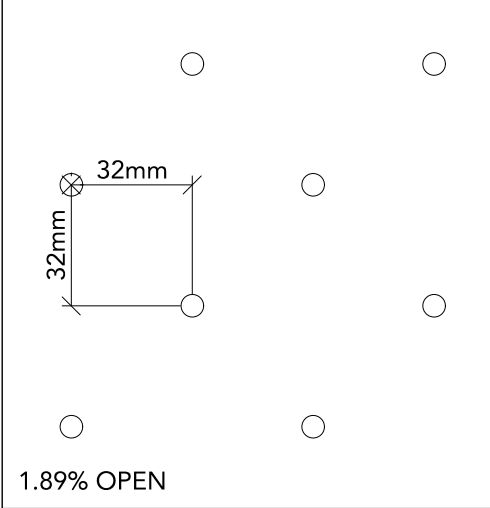
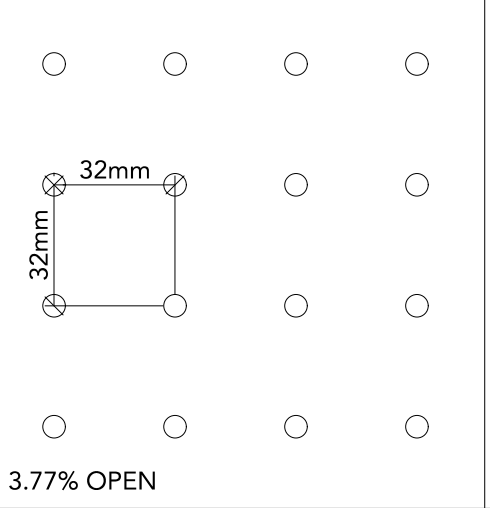
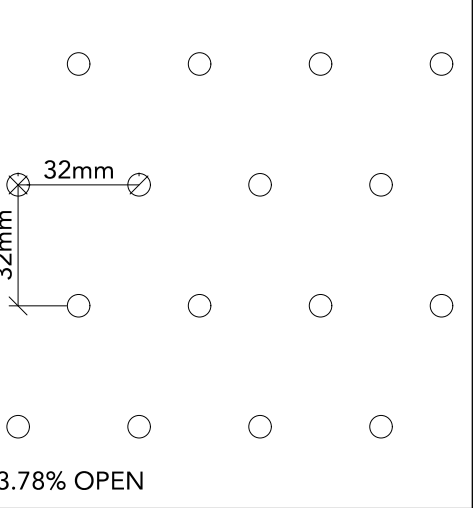
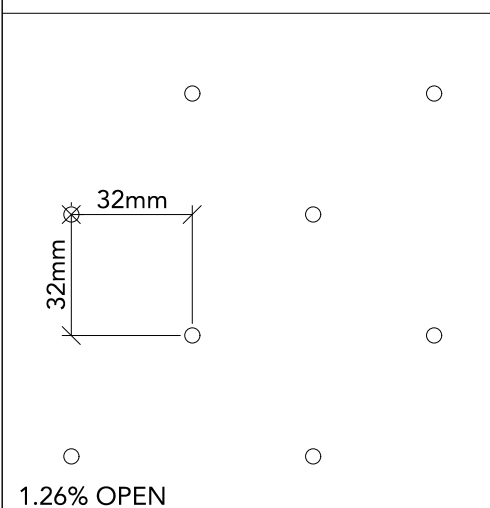
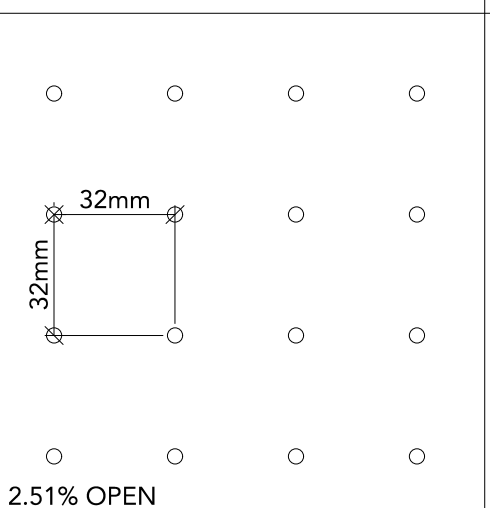
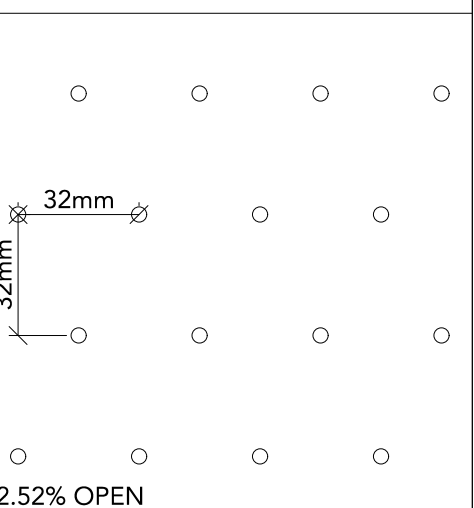


**1** TYPICAL CLOUD ISOMETRIC  
 1" = 1'-0"



**1** TYPICAL CLOUD LAYOUT  
1/2" = 1'-0"

 <p>5.05% OPEN</p>	 <p>10.06% OPEN</p>	 <p>10.10% OPEN</p>
DIAMOND: 8MM DIA./16MM SPACING	SQUARE: 8MM DIA./16MM SPACING	STAGGERED: 8MM DIA./16MM SPACING
 <p>3.78% OPEN</p>	 <p>7.54% OPEN</p>	 <p>7.56% OPEN</p>
DIAMOND: 6MM DIA./16MM SPACING	SQUARE: 6MM DIA./16MM SPACING	STAGGERED: 6MM DIA./16MM SPACING
 <p>2.52% OPEN</p>	 <p>5.03% OPEN</p>	 <p>5.05% OPEN</p>
DIAMOND: 4MM DIA./16MM SPACING	SQUARE: 4MM DIA./16MM SPACING	STAGGERED: 4MM DIA./16MM SPACING

 <p>2.52% OPEN</p>	 <p>5.03% OPEN</p>	 <p>5.05% OPEN</p>
DIAMOND: 8MM DIA./32MM SPACING	SQUARE: 8MM DIA./32MM SPACING	STAGGERED: 8MM DIA./32MM SPACING
 <p>1.89% OPEN</p>	 <p>3.77% OPEN</p>	 <p>3.78% OPEN</p>
DIAMOND: 6MM DIA./32MM SPACING	SQUARE: 6MM DIA./32MM SPACING	STAGGERED: 6MM DIA./32MM SPACING
 <p>1.26% OPEN</p>	 <p>2.51% OPEN</p>	 <p>2.52% OPEN</p>
DIAMOND: 4MM DIA./32MM SPACING	SQUARE: 4MM DIA./32MM SPACING	STAGGERED: 4MM DIA./32MM SPACING

ABSORBER STANDARD PERFORATION PATTERNS  
 (32MM SPACING)