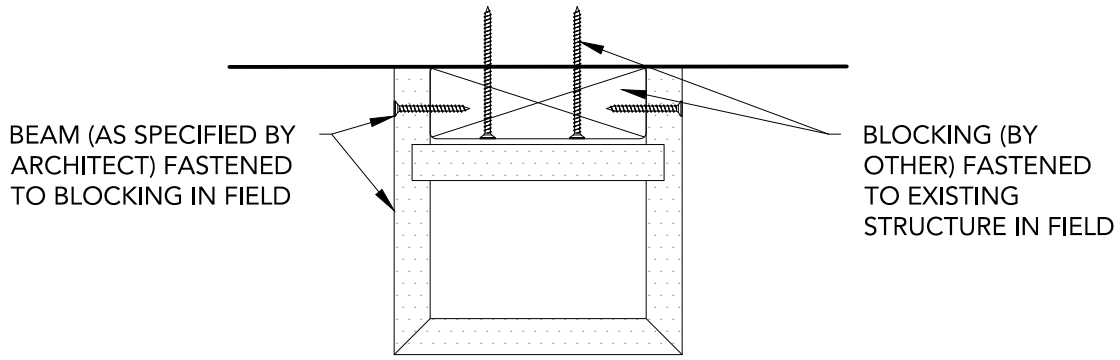
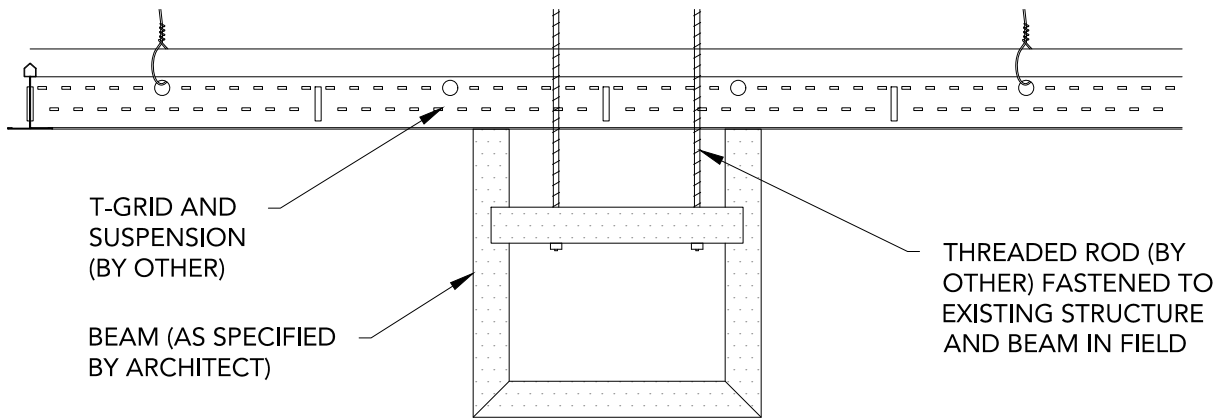


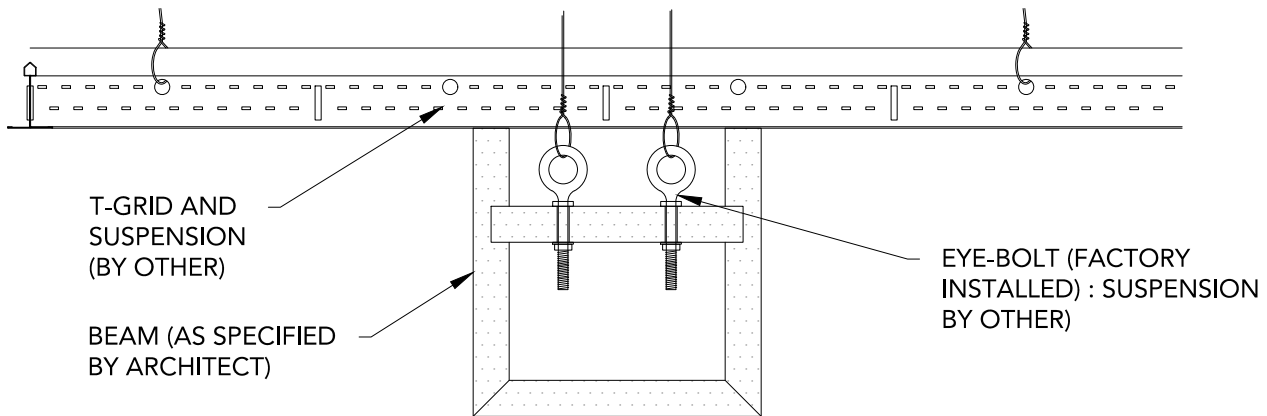
1 TYPICAL ISOMETRIC
1" = 1'-0"



1 STANDARD CEILING MOUNT WITH BLOCKING
3" = 1'-0"



2 SUSPENDED MOUNT - THREADED ROD
3" = 1'-0"



3 SUSPENDED MOUNT - EYE-BOLT
3" = 1'-0"