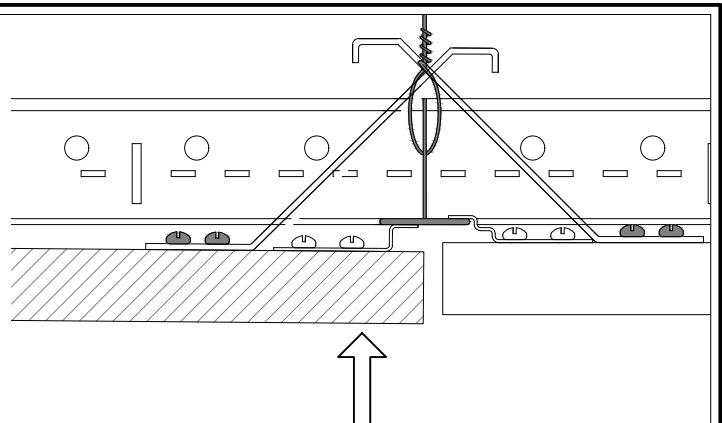


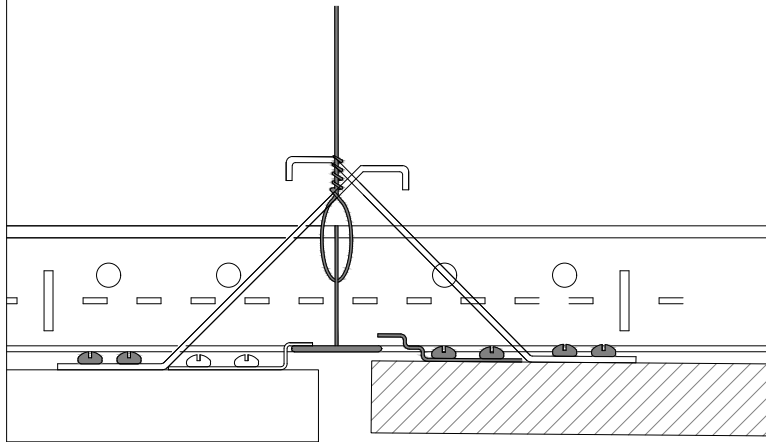
STEP 1: TILT SAFETY CLIP OVER T-GRID

- DARK PANEL INDICATES ACTIVE PANEL
- LIGHT PANEL INDICATES PANELS ALREADY INSTALLED



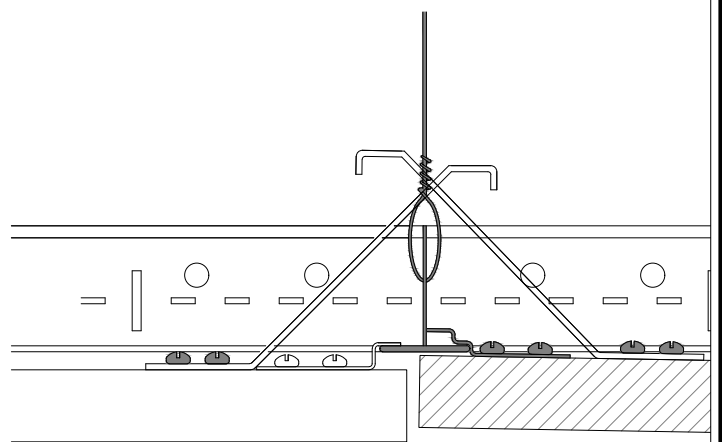
STEP 2: SNUG SAFETY CLIP AGAINST T-GRID

- DARK PANEL INDICATES ACTIVE PANEL
- LIGHT PANEL INDICATES PANELS ALREADY INSTALLED



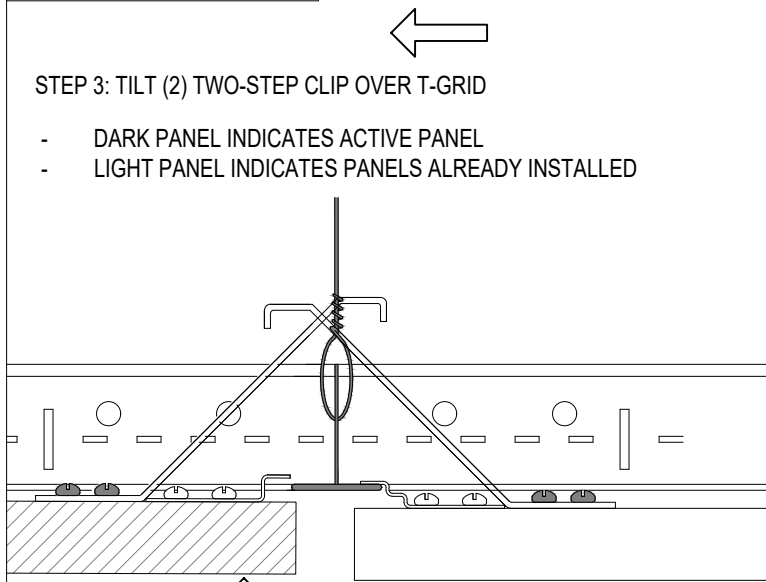
STEP 3: TILT (2) TWO-STEP CLIP OVER T-GRID

- DARK PANEL INDICATES ACTIVE PANEL
- LIGHT PANEL INDICATES PANELS ALREADY INSTALLED



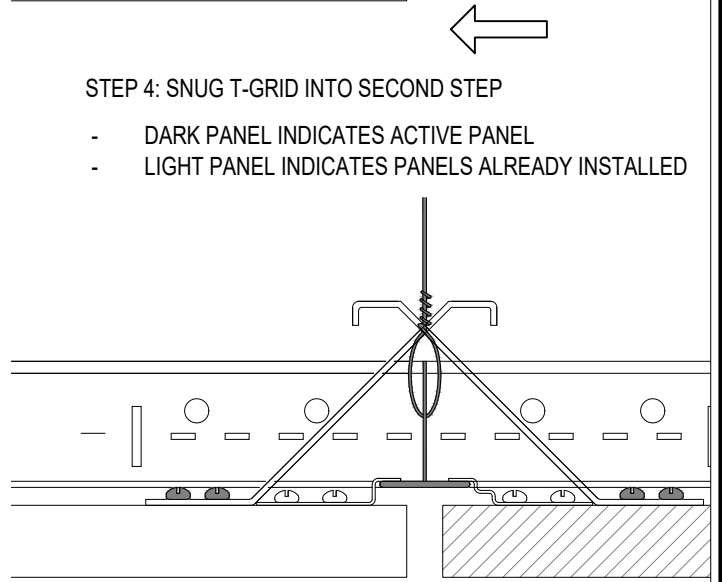
STEP 4: SNUG T-GRID INTO SECOND STEP

- DARK PANEL INDICATES ACTIVE PANEL
- LIGHT PANEL INDICATES PANELS ALREADY INSTALLED



STEP 5: TILT (1) ONE-STEP CLIP OVER T-GRID

- DARK PANEL INDICATES ACTIVE PANEL
- LIGHT PANEL INDICATES PANELS ALREADY INSTALLED



STEP 6: SHIFT PANEL AND DROP INTO PLACE

- DARK PANEL INDICATES ACTIVE PANEL
- LIGHT PANEL INDICATES PANELS ALREADY INSTALLED