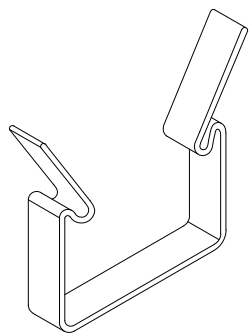
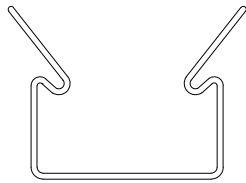


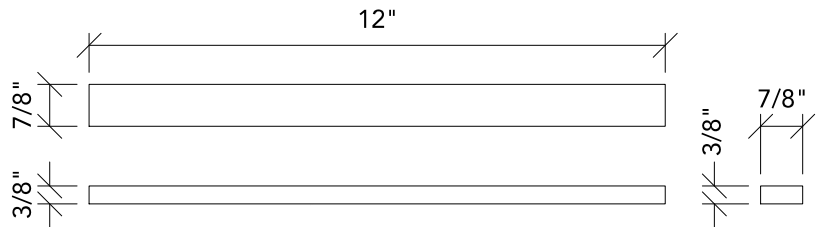
**1** GRILLE-BACKERED SECTION DETAIL  
3" = 1'-0"



ISOMETRIC



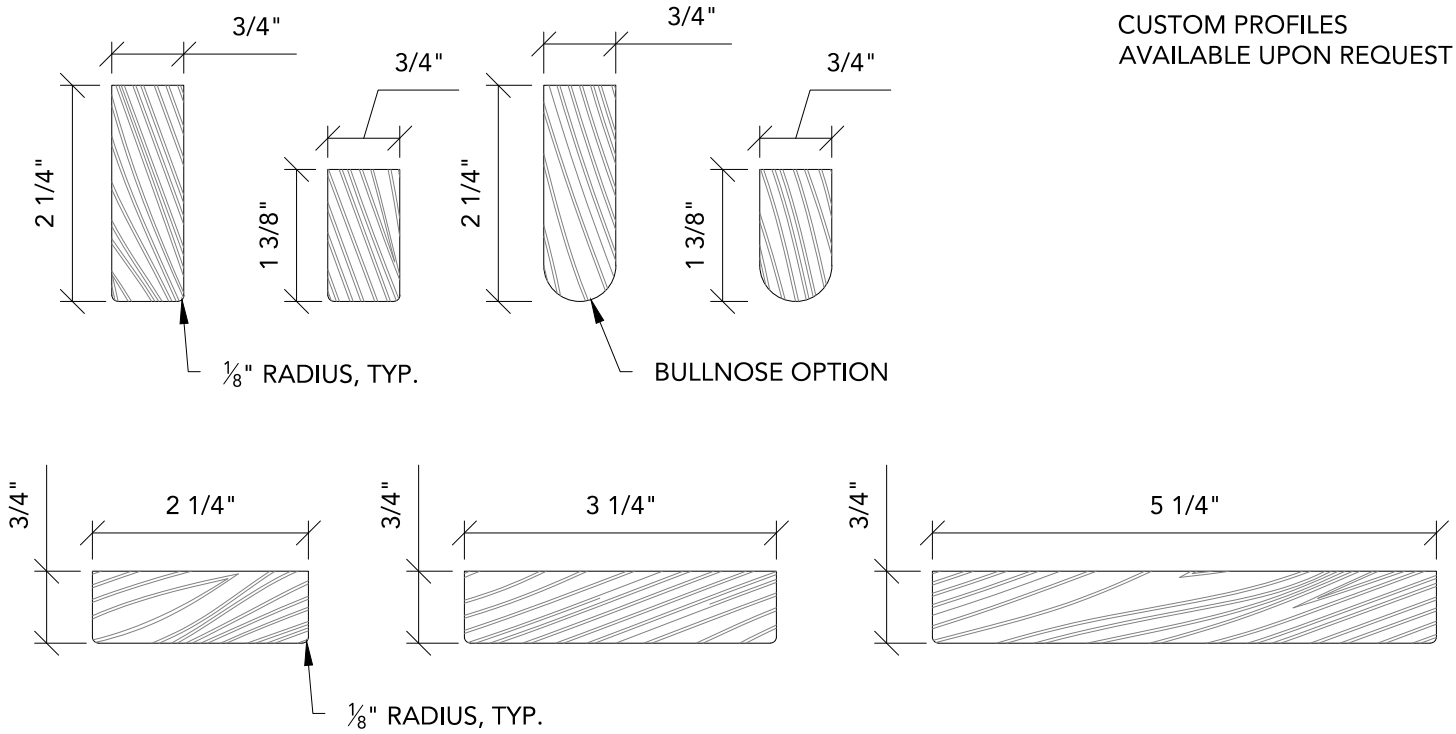
ELEVATION



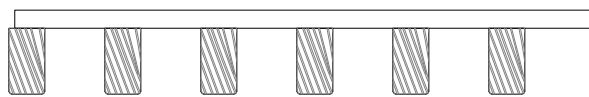
**2** BACKER CLIP  
1' = 1'-0"

**3** 12 INCH BACKER  
3" = 1'-0"

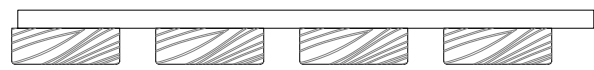
CUSTOM PROFILES  
AVAILABLE UPON REQUEST



**1** TYPICAL RAIL PROFILES  
6" = 1'-0"



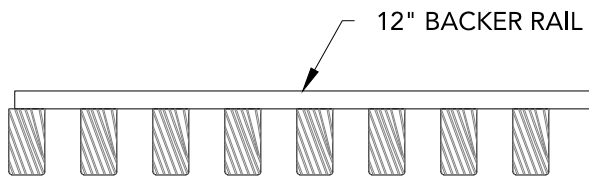
$\frac{3}{4}$ " X  $1\frac{3}{8}$ " RAILS  
6 RAIL/FT.  
2" SPACING O.C.



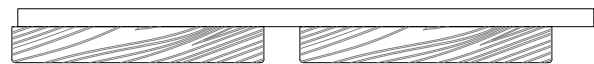
$2\frac{1}{4}$ " X  $\frac{3}{4}$ " RAILS  
4 RAIL/FT.  
3" SPACING O.C.



$3\frac{1}{4}$ " X  $\frac{3}{4}$ " RAILS  
3 RAIL/FT.  
4" SPACING O.C.



$\frac{3}{4}$ " X  $1\frac{3}{8}$ " RAILS  
8 RAIL/FT.  
 $1\frac{1}{2}$ " SPACING O.C.



$5\frac{1}{4}$ " X  $\frac{3}{4}$ " RAILS  
2 RAIL/FT.  
6" SPACING O.C.

**2** TYPICAL 12 INCH GRILLE MODULES  
3" = 1'-0"

GRILLE-BACKERED SYSTEM - TYPICAL HARDWOOD  
PROFILE OPTIONS

SCALE: AS NOTED

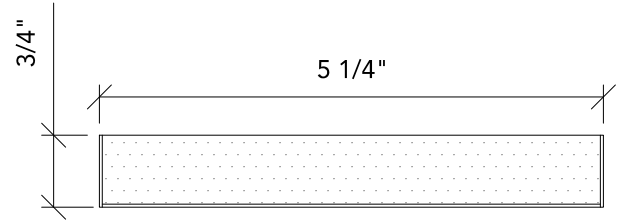
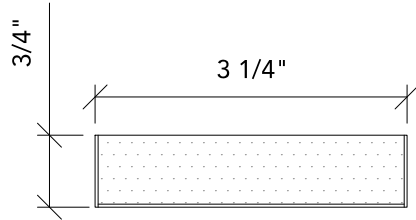
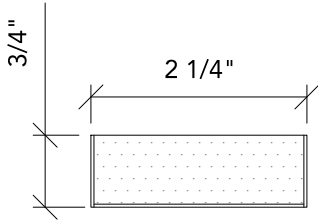
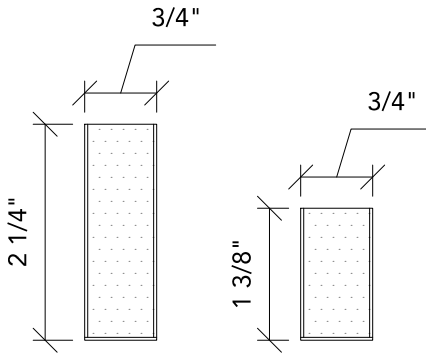
LAST REVISED: 4/26/2018

SHEET NUMBER

2

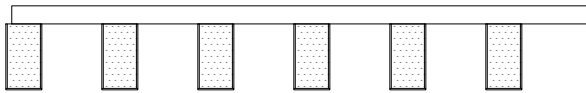
DRAWN BY: BMH

CUSTOM PROFILES  
AVAILABLE UPON REQUEST

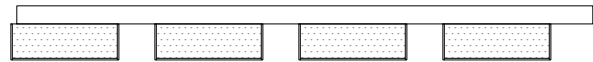


**1** TYPICAL VENEERED PROFILES

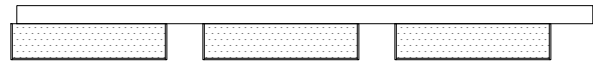
6" = 1'-0"



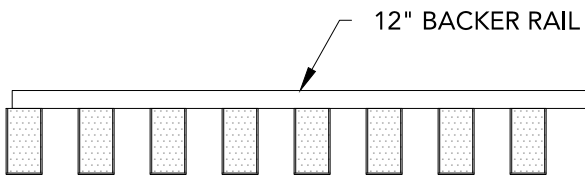
3/4" X 1 3/8" RAILS  
6 RAIL/FT.  
2" SPACING O.C.



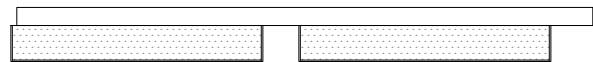
2 1/4" X 3/4" RAILS  
4 RAIL/FT.  
3" SPACING O.C.



3 1/4" X 3/4" RAILS  
3 RAIL/FT.  
4" SPACING O.C.



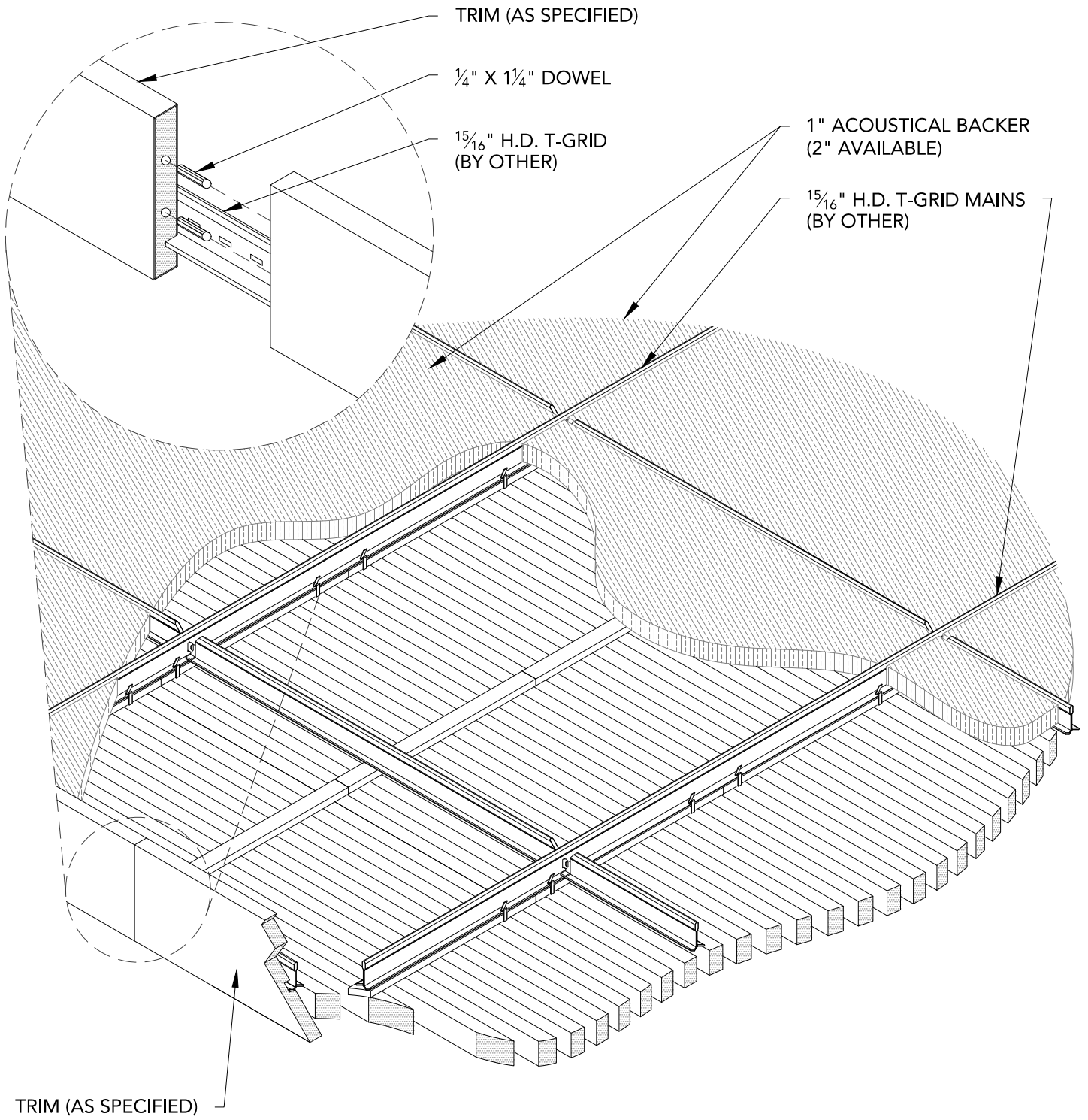
3/4" X 1 3/8" RAILS  
8 RAIL/FT.  
1 1/2" SPACING O.C.



5 1/4" X 3/4" RAILS  
2 RAIL/FT.  
6" SPACING O.C.

**2** TYPICAL 12 INCH VENEERED MODULES

3" = 1'-0"



1 CEILING ISOMETRIC - TYP.  
 1 1/2" = 1'-0"

GRILLE-BACKERED (CEILING SYSTEM) - ISOMETRIC

SHEET NUMBER  
 4

SCALE: AS NOTED

LAST REVISED: 4/26/2018

DRAWN BY: BMH

DO NOT SCALE DRAWING. FIGURED DIMENSIONS ARE TO BE FOLLOWED. READ THIS DRAWING IN CONNECTION WITH GENERAL ARCHITECTURAL PLANS, STRUCTURAL PLANS, AND OTHER RELATED DRAWINGS. THESE DRAWINGS REPRESENT ASI'S UNDERSTANDING AND INTERPRETATION OF THE ARCHITECTURAL DRAWINGS AND HOW ASI PRODUCTS RELATE TO THE PROJECT. COPYRIGHT ASI © 2018

FIELD CUT  
MITERS TYP.

KERFED TRIM

BACKER CLIP

FIELD ATTACHED  
BACKER RAIL @ FIELD  
CUT ENDS (TYP.)

15/16" H.D. T-GRID  
MAINS (BY OTHER)

2

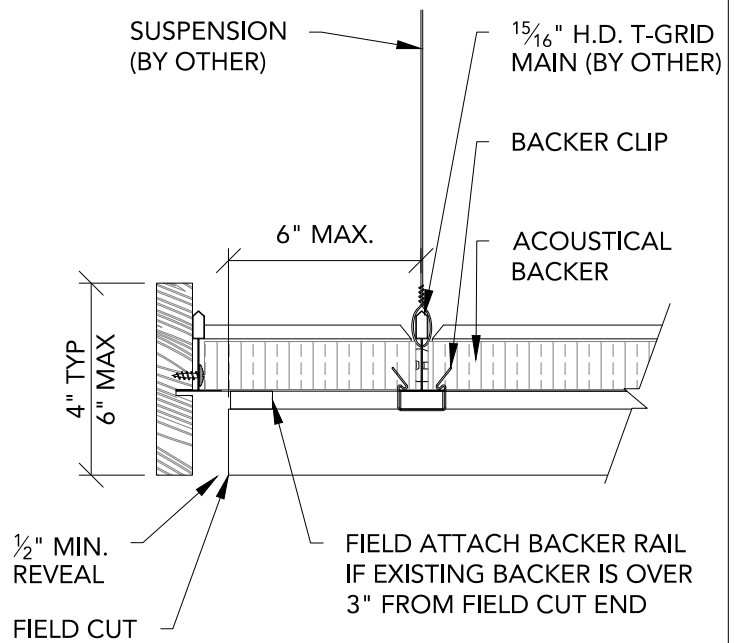
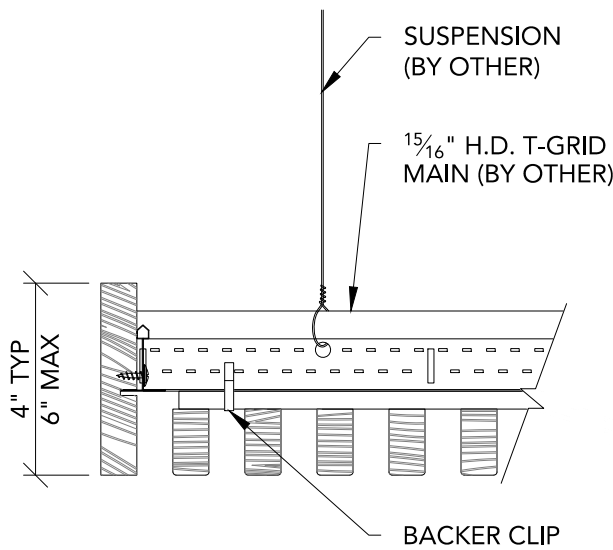
3



1

### CLOUD VERTICAL TRIM PLAN

1 1/2" = 1'-0"



2

### TRIM @ EDGE - FRONT SECTION

3" = 1'-0"

3

### TRIM @ EDGE - SIDE SECTION

3" = 1'-0"



## GRILLE-BACKERED (CEILING SYSTEM) - TRIM CONDITIONS

SHEET NUMBER

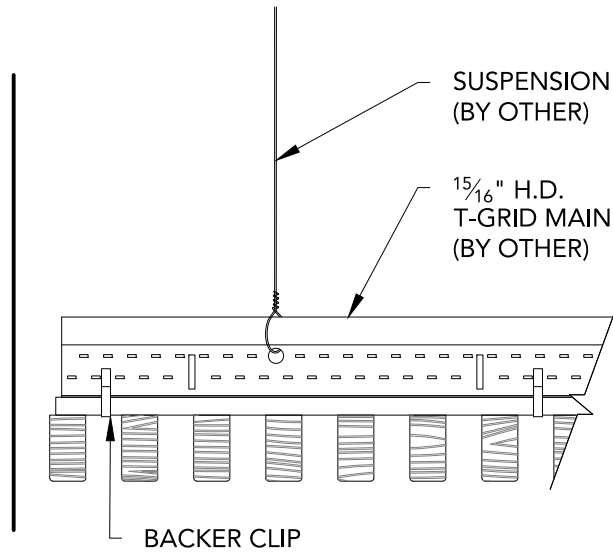
5

SCALE: AS NOTED

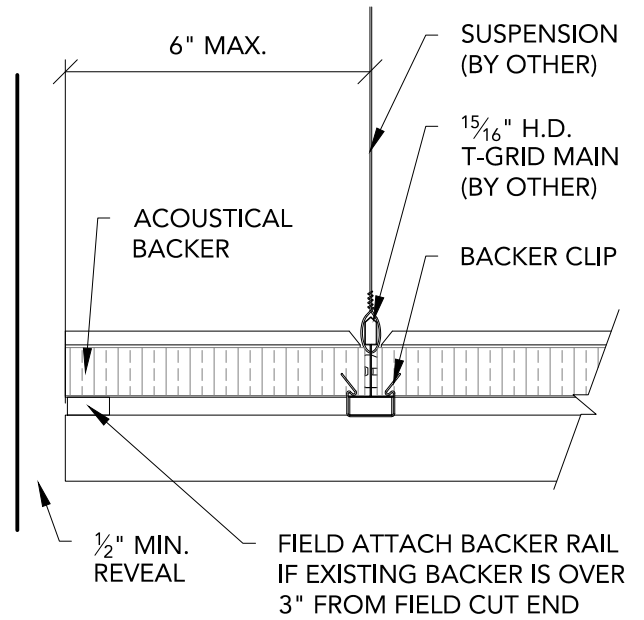
LAST REVISED: 4/26/2018

DRAWN BY: BMH

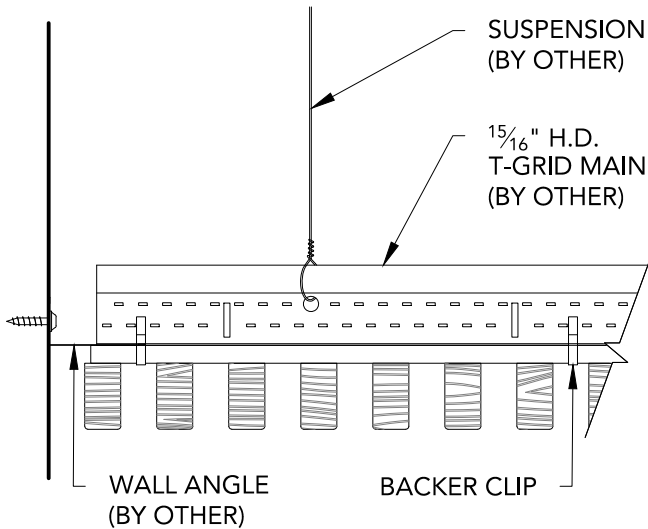
DO NOT SCALE DRAWING. FIGURED DIMENSIONS ARE TO BE FOLLOWED. READ THIS DRAWING IN CONNECTION WITH GENERAL ARCHITECTURAL PLANS, STRUCTURAL PLANS, AND OTHER RELATED DRAWINGS. THESE DRAWINGS REPRESENT ASI'S UNDERSTANDING AND INTERPRETATION OF THE ARCHITECTURAL DRAWINGS AND HOW ASI PRODUCTS RELATE TO THE PROJECT. COPYRIGHT ASI © 2018



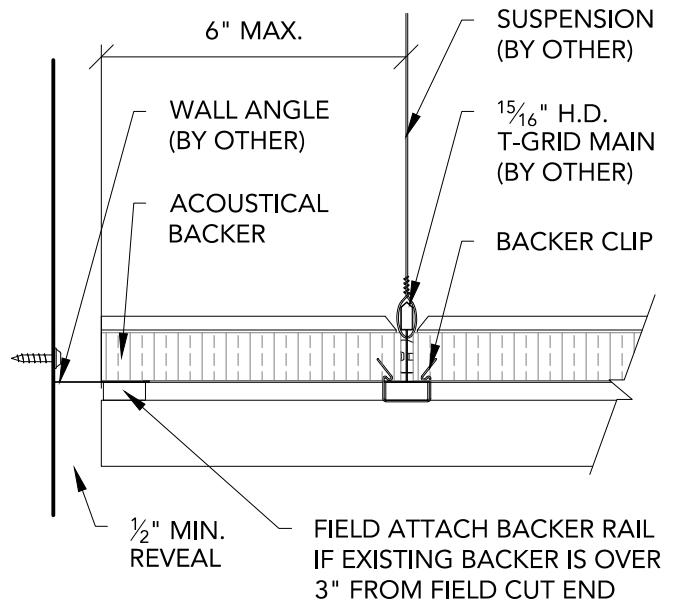
1 FLOATING @ WALL - FRONT SECTION  
3" = 1'-0"



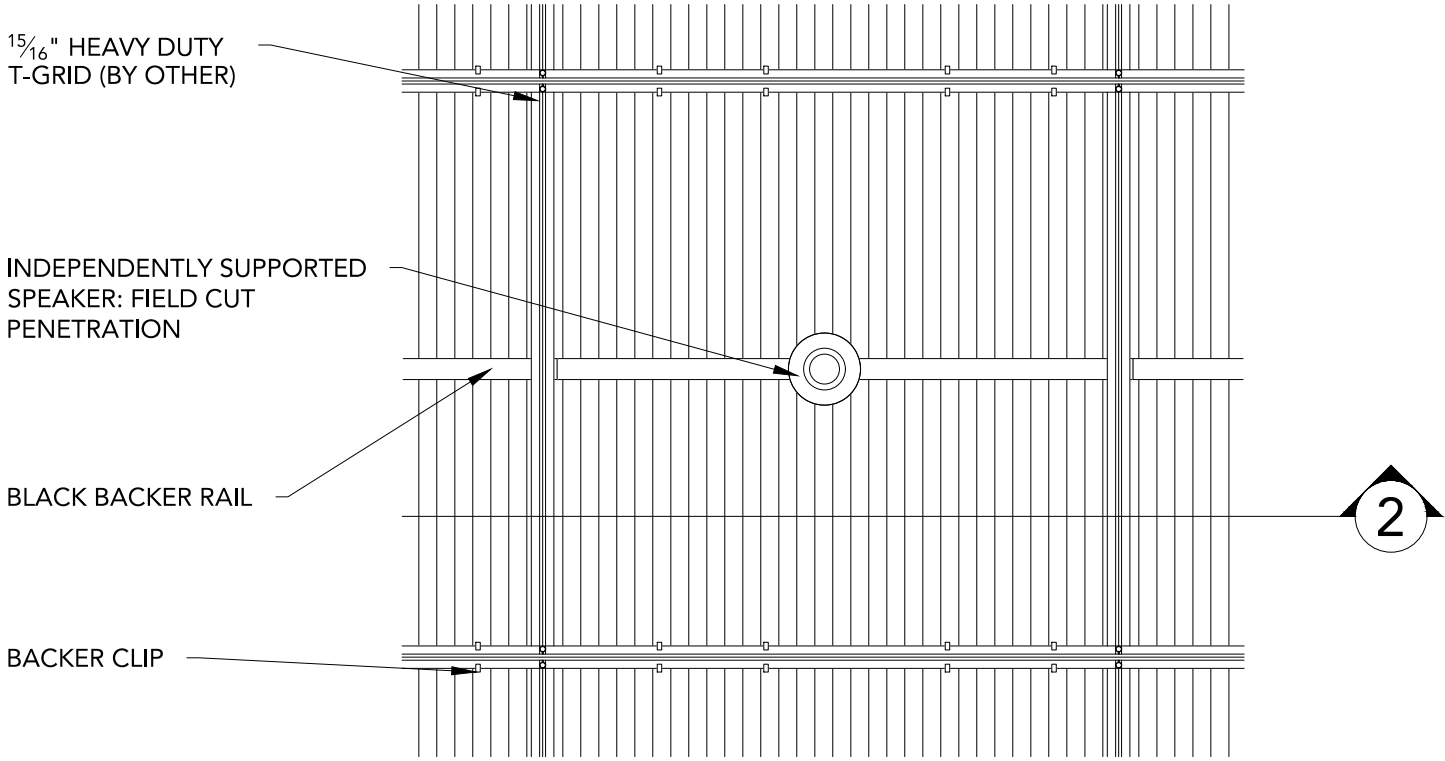
2 FLOATING @ WALL - SIDE SECTION  
3" = 1'-0"



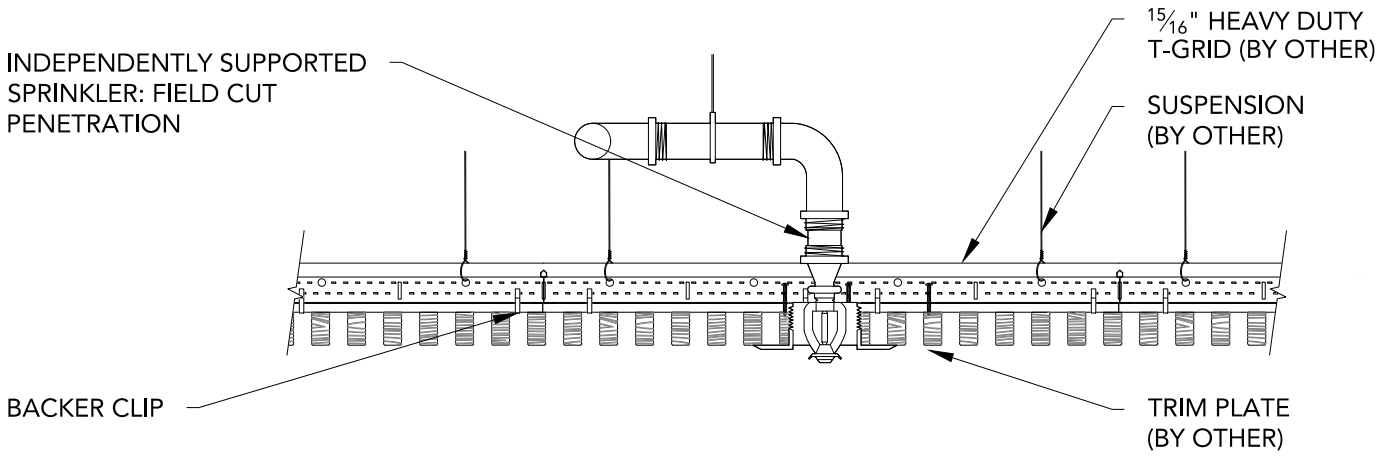
3 WALL ANGLE - FRONT SECTION  
3" = 1'-0"



4 WALL ANGLE - SIDE SECTION  
3" = 1'-0"



**1** SPRINKLER HEAD DETAIL - PLAN VIEW  
 1 1/2" = 1'-0"



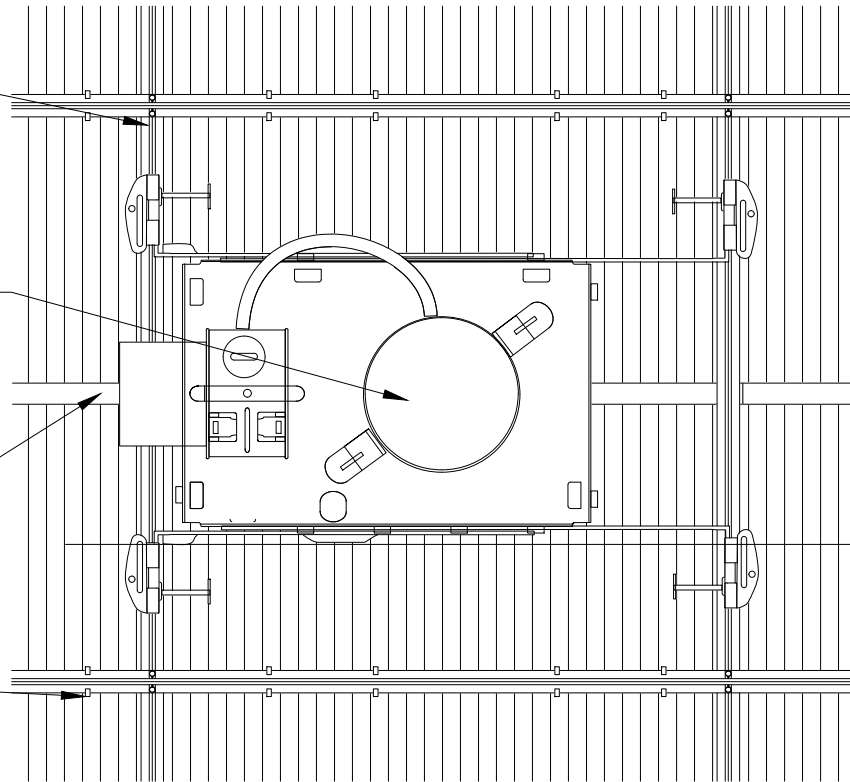
**2** SPRINKLER HEAD DETAIL - SECTION VIEW  
 1 1/2" = 1'-0"

15/16" HEAVY DUTY T-GRID (BY OTHER)

INDEPENDENTLY SUPPORTED CAN LIGHT: FIELD CUT PENETRATION

BLACK BACKER RAIL

BACKER CLIP



2

1 CAN LIGHT DETAIL - PLAN VIEW

1 1/2" = 1'-0"

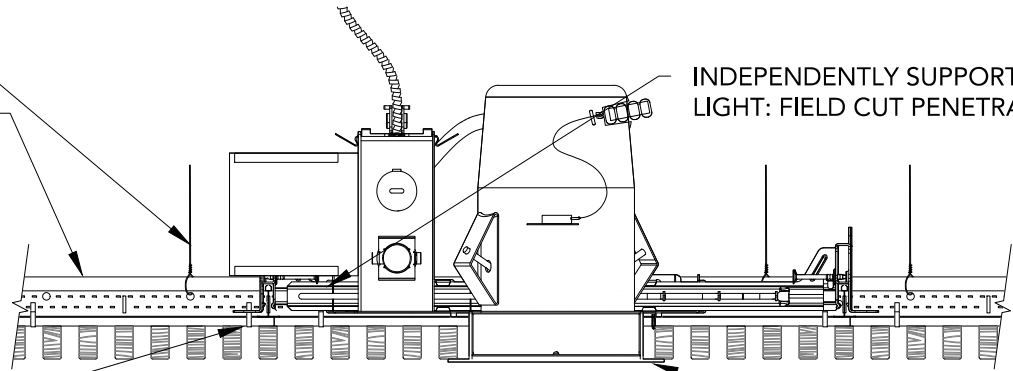
SUSPENSION (BY OTHER)

15/16" HEAVY DUTY T-GRID (BY OTHER)

INDEPENDENTLY SUPPORTED CAN LIGHT: FIELD CUT PENETRATION

BACKER CLIP

TRIM PLATE (BY OTHER)



2 CAN LIGHT DETAIL - SECTION VIEW

1 1/2" = 1'-0"



GRILLE-BACKERED (CEILING SYSTEM) - CAN LIGHT DETAILS

SHEET NUMBER

8

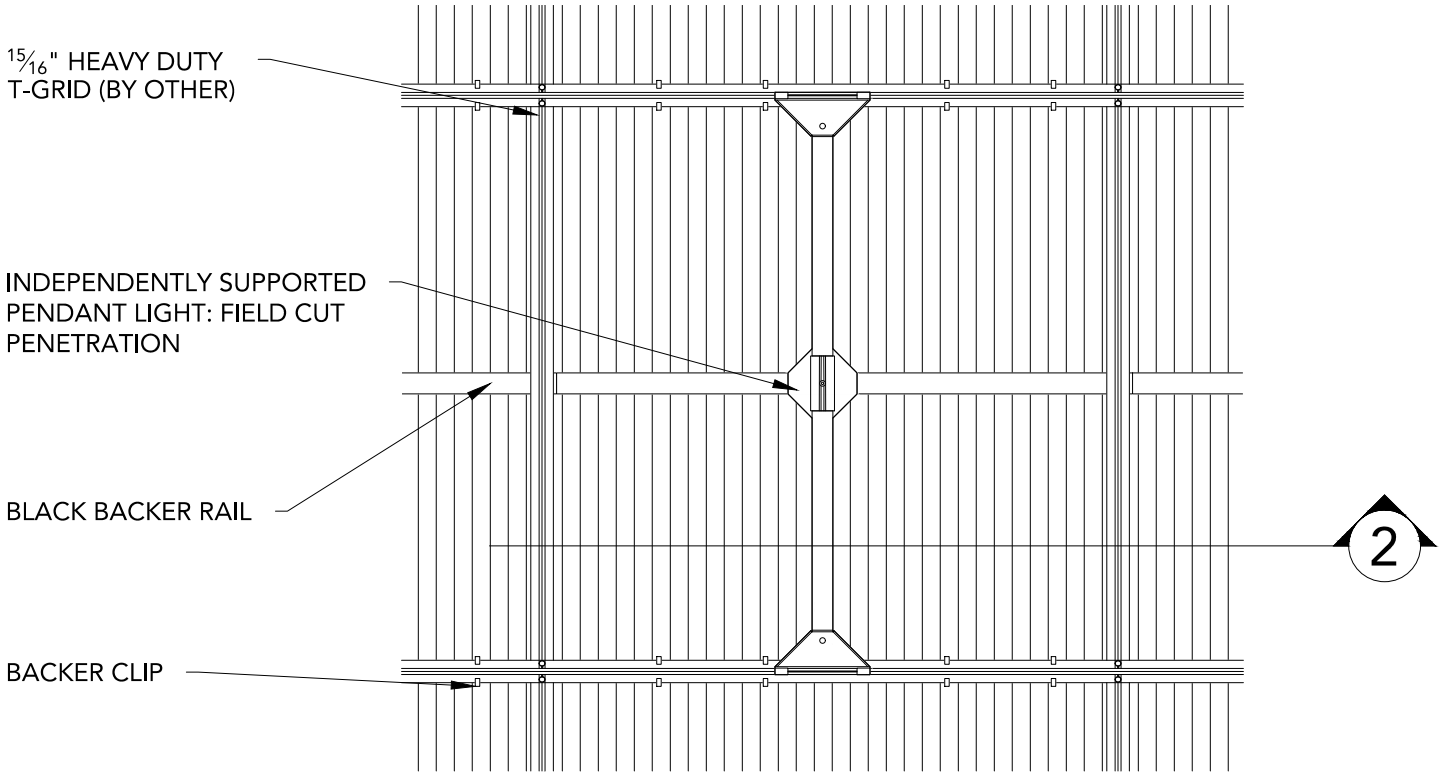
SCALE: AS NOTED

LAST REVISED: 4/26/2018

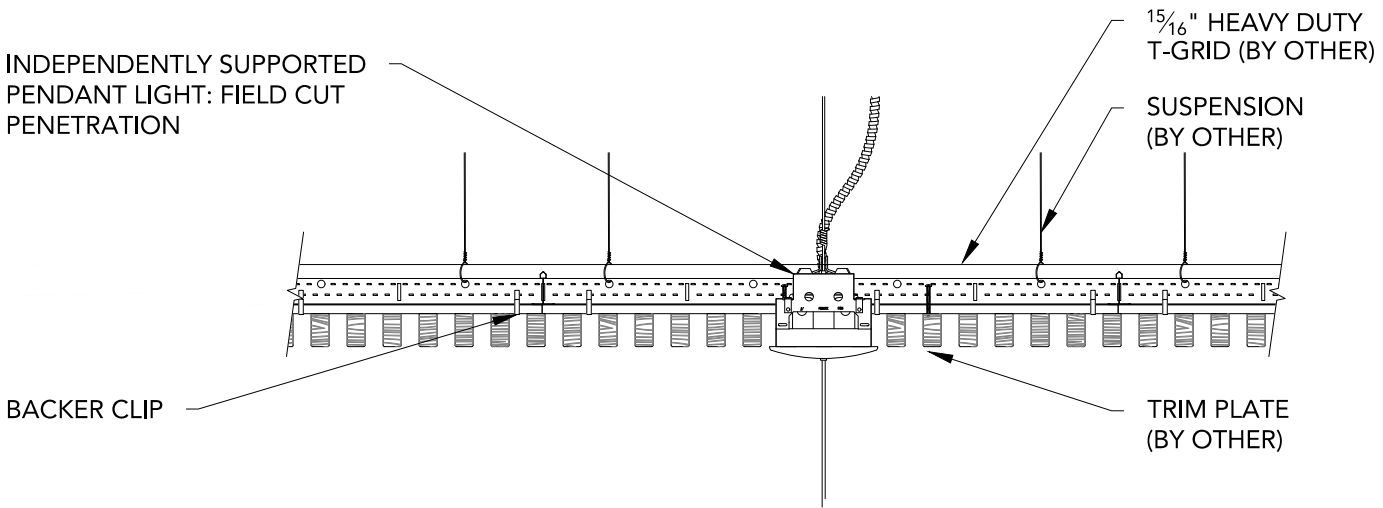
DRAWN BY: BMH

DO NOT SCALE DRAWING. FIGURED DIMENSIONS ARE TO BE FOLLOWED. READ THIS DRAWING IN CONNECTION WITH GENERAL ARCHITECTURAL PLANS, STRUCTURAL PLANS, AND OTHER RELATED DRAWINGS. THESE DRAWINGS REPRESENT ASI'S UNDERSTANDING AND INTERPRETATION OF THE ARCHITECTURAL DRAWINGS AND HOW ASI PRODUCTS RELATE TO THE PROJECT. COPYRIGHT ASI © 2018





**1** PENDANT LIGHT DETAIL - PLAN VIEW  
1 1/2" = 1'-0"



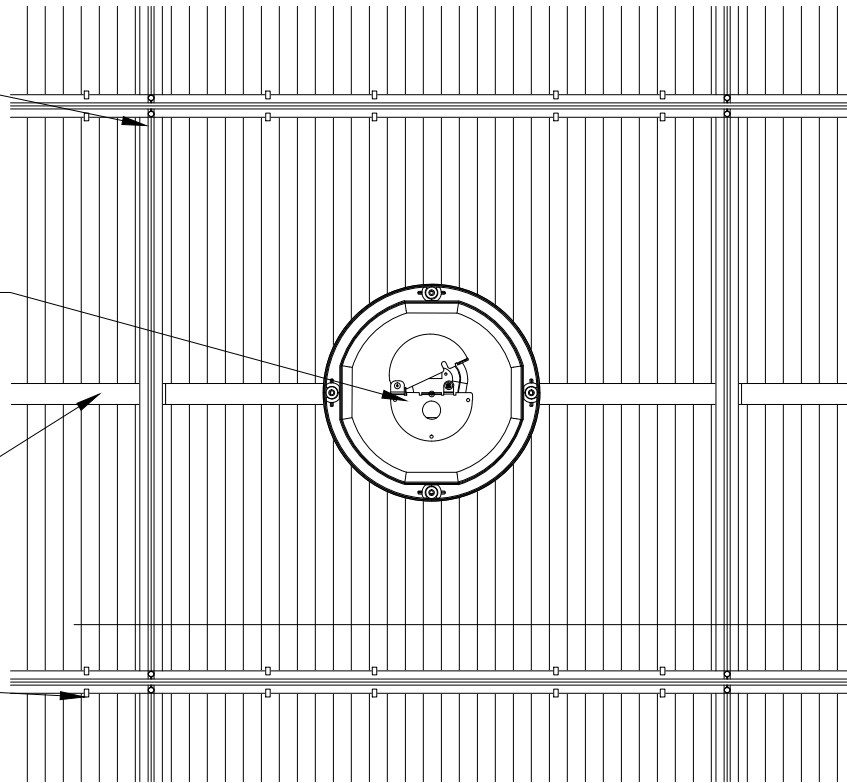
**2** PENDANT LIGHT DETAIL - SECTION VIEW  
1 1/2" = 1'-0"

15/16" HEAVY DUTY T-GRID (BY OTHER)

INDEPENDENTLY SUPPORTED SPEAKER: FIELD CUT PENETRATION

BLACK BACKER RAIL

BACKER CLIP

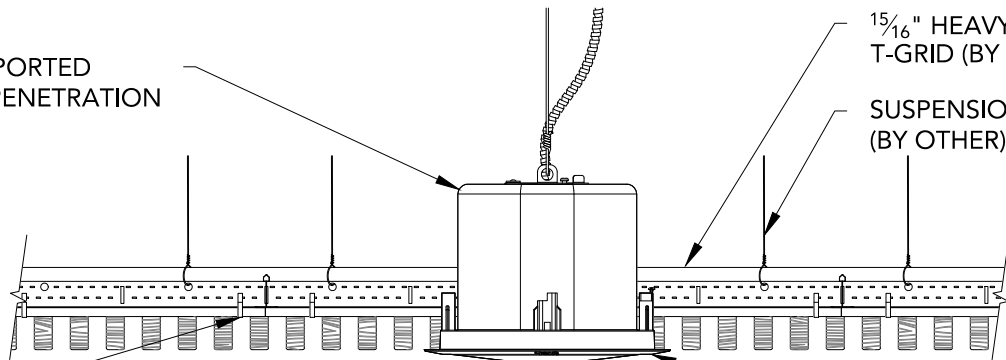


### 1 RECESSED SPEAKER DETAIL - PLAN VIEW

1 1/2" = 1'-0"

INDEPENDENTLY SUPPORTED SPEAKER: FIELD CUT PENETRATION

BACKER CLIP



15/16" HEAVY DUTY T-GRID (BY OTHER)

SUSPENSION (BY OTHER)

TRIM PLATE (BY OTHER)

### 2 RECESSED SPEAKER DETAIL - SECTION VIEW

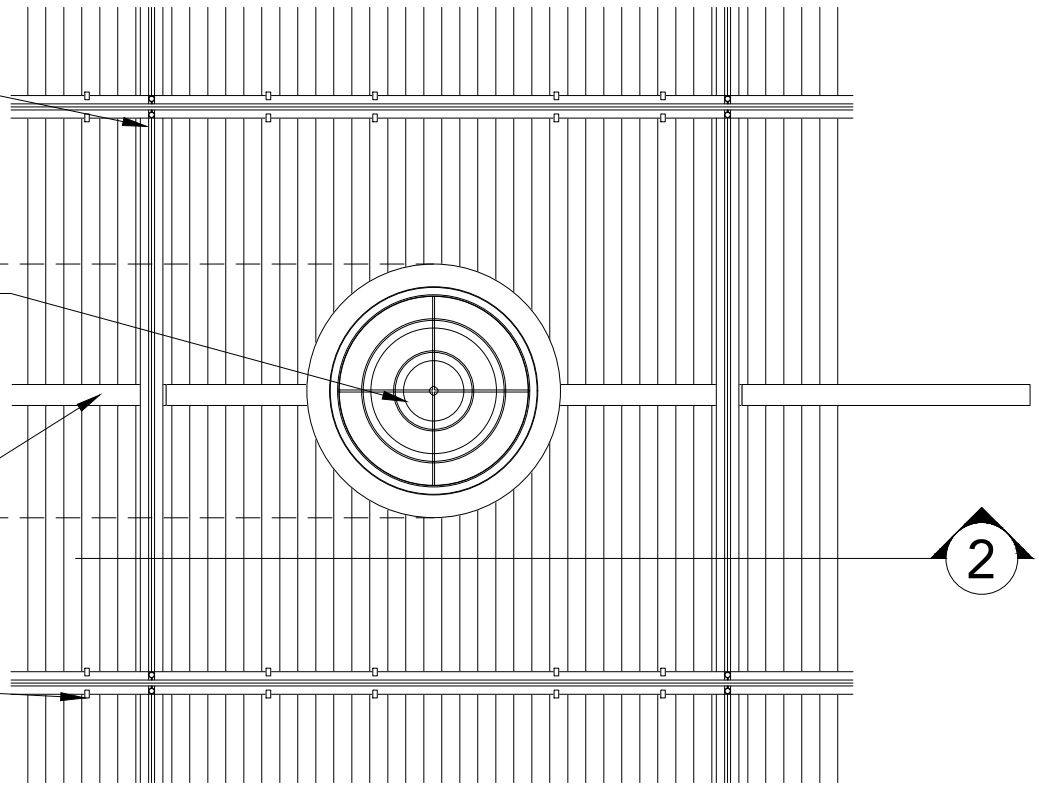
1 1/2" = 1'-0"

15/16" HEAVY DUTY T-GRID (BY OTHER)

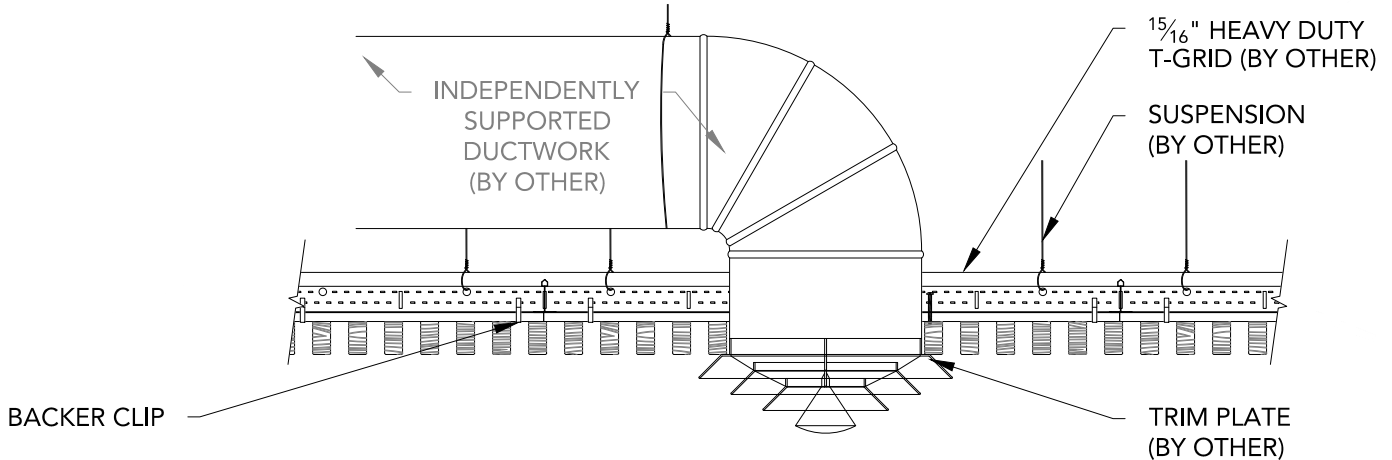
INDEPENDENTLY SUPPORTED DIFFUSER: FIELD CUT PENETRATION

BLACK BACKER RAIL

BACKER CLIP



1 DIFFUSER DETAIL - PLAN VIEW  
1 1/2" = 1'-0"



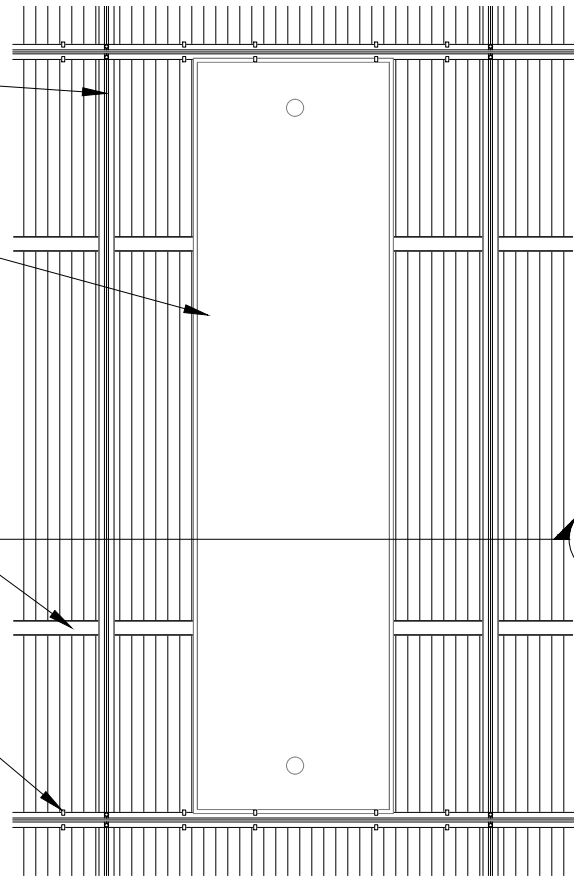
2 DIFFUSER DETAIL - SECTION VIEW  
1 1/2" = 1'-0"

15/16" HEAVY DUTY T-GRID (BY OTHER)

INDEPENDENTLY SUPPORTED LINEAR LIGHT: FIELD CUT PENETRATION

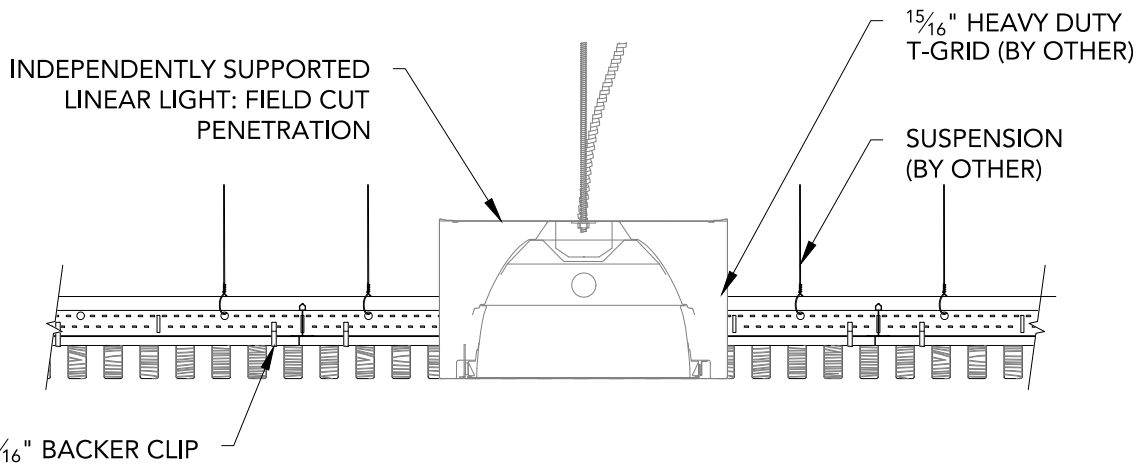
BLACK BACKER RAIL

15/16" BACKER CLIP



**1** LINEAR LIGHT DETAIL - PLAN VIEW

1" = 1'-0"



**2** LINEAR LIGHT DETAIL - SECTION VIEW

1 1/2" = 1'-0"

1" ACOUSTICAL  
BACKER (2"  
AVAILABLE)

TYP. WALL  
ASSEMBLY (BY  
OTHER)

FURRING (BY  
OTHER) TO MATCH  
ACOUSTICAL  
BACKER  
THICKNESS

BLACK BACKER

2" SCREW (BY OTHER)

GRILLE RAIL

1/2" REVEAL FOR  
EXPANSION &  
CONTRACTION

16 GA. FINISH NAIL  
(BY OTHER)

TRIM (OPTIONAL) TO  
COINCIDE W/  
FURRING THICKNESS;  
FACE NAILED &  
PUTTIED IN FIELD

NOTE: 24" MAXIMUM SCREW/SUPPORT SPACING

1 HORIZONTAL WALL ISOMETRIC - TYP.  
1 1/2" = 1'-0"

TYP. WALL ASSEMBLY (BY OTHER)

1" ACOUSTICAL BACKER IN BETWEEN FURRING (2" AVAILABLE)

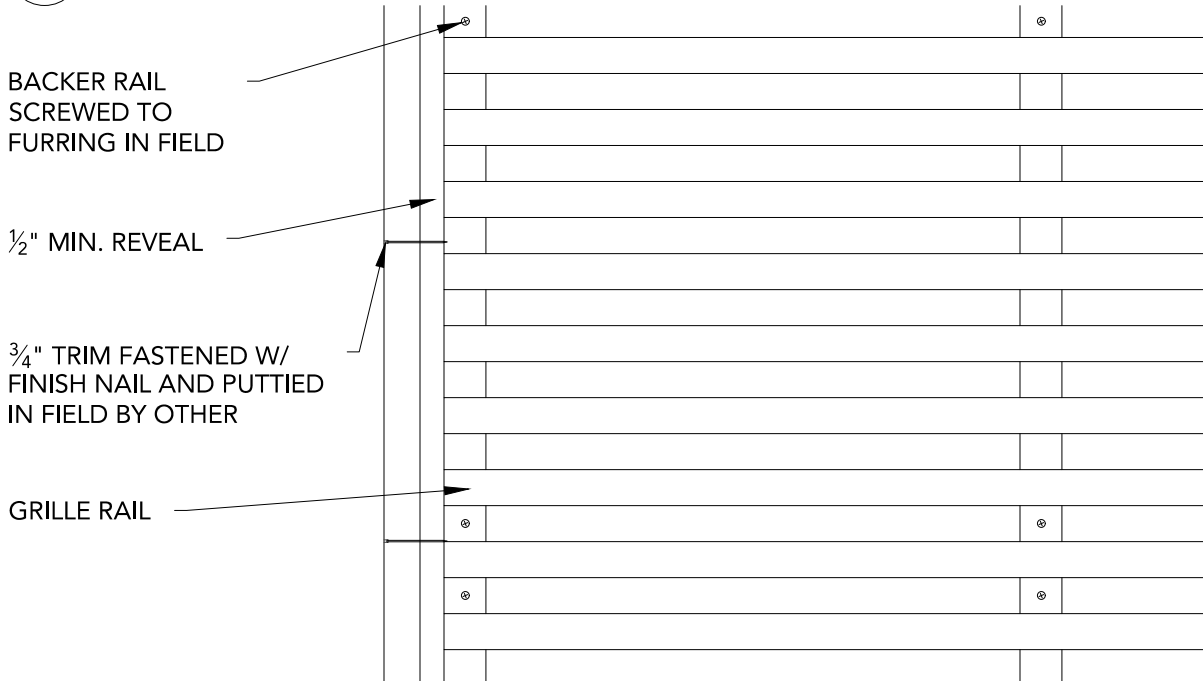
3/4" TRIM FASTENED W/ FINISH NAIL AND PUTTIED IN FIELD BY OTHER

1/2" MIN. REVEAL

FURRING (BY OTHER) TO MATCH ACOUSTICAL BACKER THICKNESS: PAINTED BLACK IN FIELD



**1** HORIZONTAL WALL PLAN @ TRIM  
3" = 1'-0"



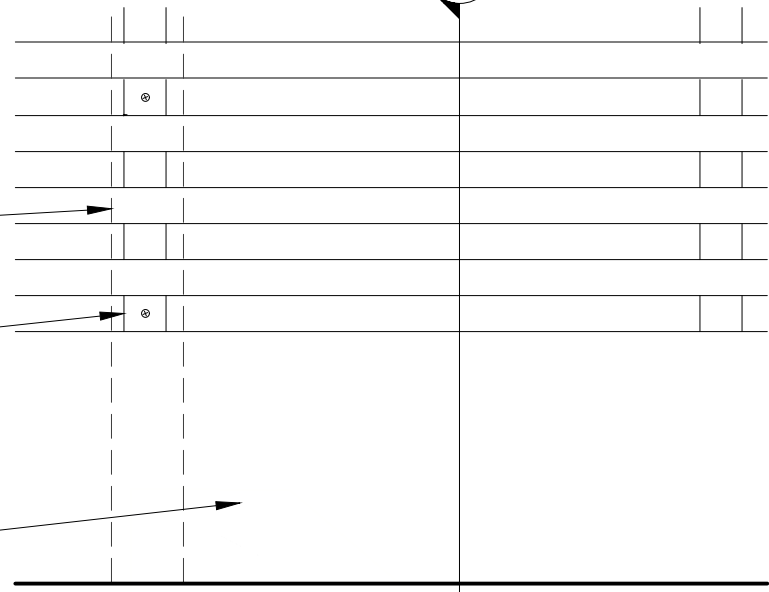
**2** HORIZONTAL WALL ELEVATION @ TRIM  
3" = 1'-0"

2

FURRING (BY OTHER) TO MATCH ACOUSTICAL BACKER THICKNESS

BLACK BACKER SCREWED TO FURRING IN FIELD

BASE AS SCHEDULED (BY OTHER)



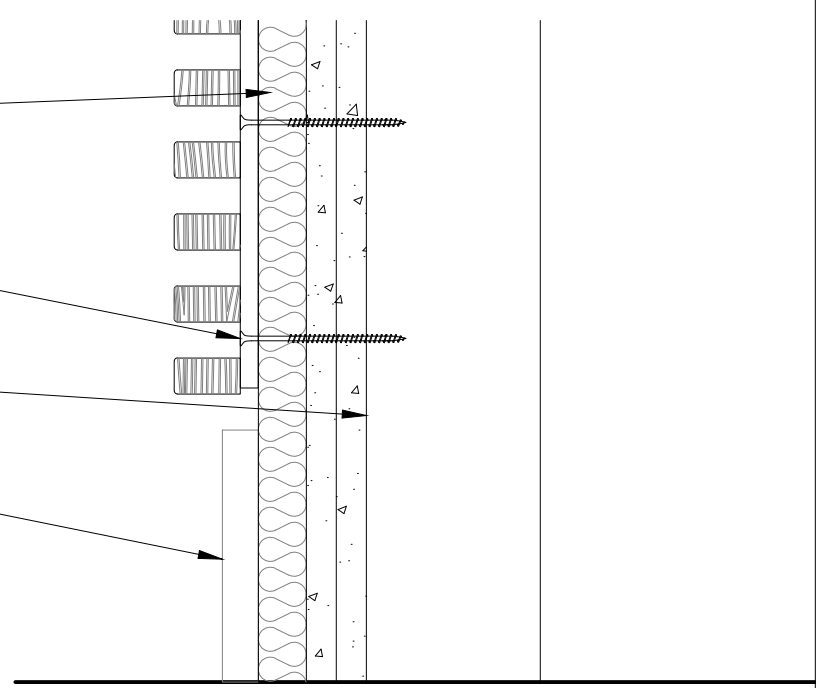
1 HORIZONTAL WALL ELEVATION @ BASEBOARD  
3" = 1'-0"

1" ACOUSTICAL BACKER (2" AVAILABLE)

BLACK BACKER SCREWED TO FURRING IN FIELD

TYP. WALL SYSTEM (BY OTHER)

BASE AS SCHEDULED (BY OTHER)



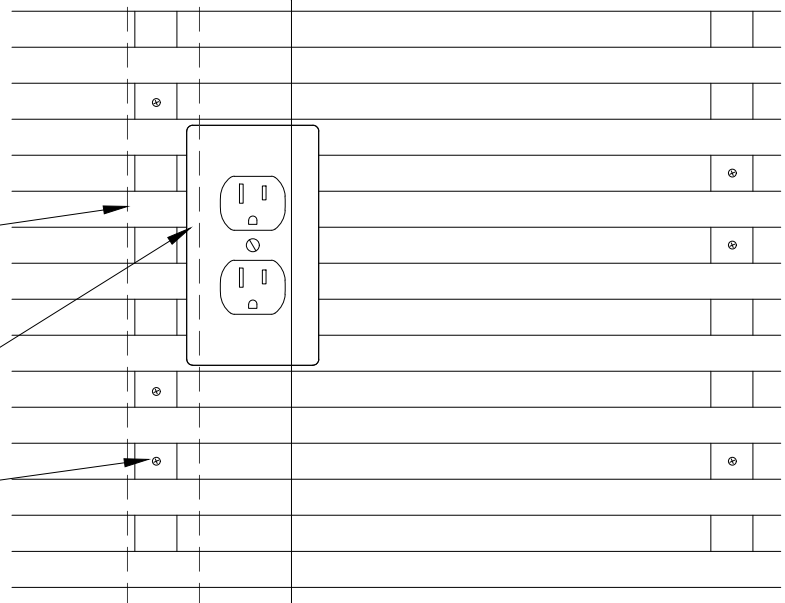
2 HORIZONTAL WALL SECTION @ BASEBOARD  
3" = 1'-0"

2

FURRING (BY OTHER) TO MATCH ACOUSTICAL BACKER THICKNESS

OUTLET PENETRATION FIELD CUT

BLACK BACKER SCREWED TO FURRING IN FIELD



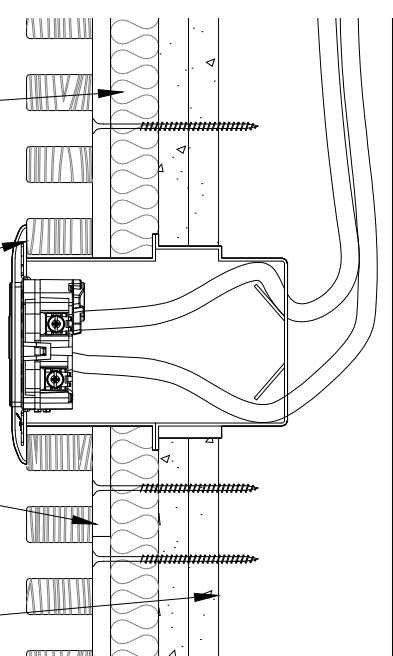
1 HORIZONTAL WALL ELEVATION @ OUTLET  
 3" = 1'-0"

1" ACOUSTICAL BACKER (2" AVAILABLE)

OUTLET PENETRATION FIELD CUT

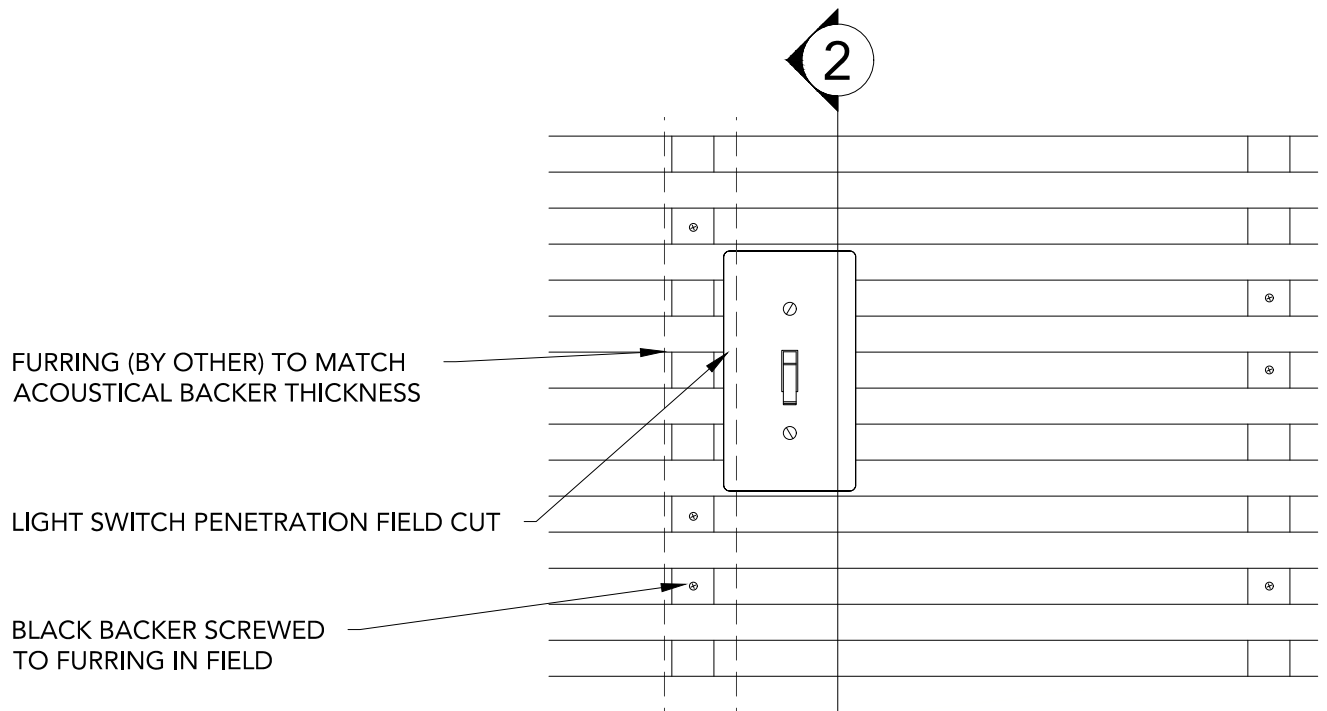
BLACK BACKER SCREWED TO FURRING IN FIELD

TYP. WALL SYSTEM (BY OTHER)

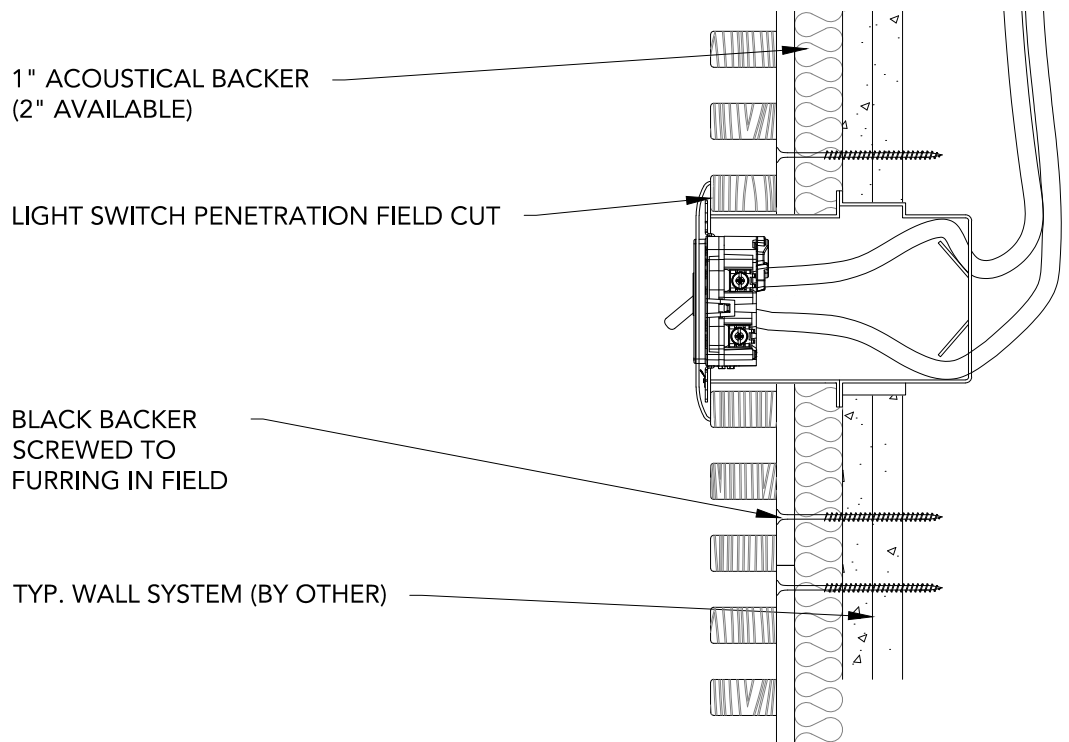


2 HORIZONTAL WALL SECTION @ OUTLET  
 3" = 1'-0"

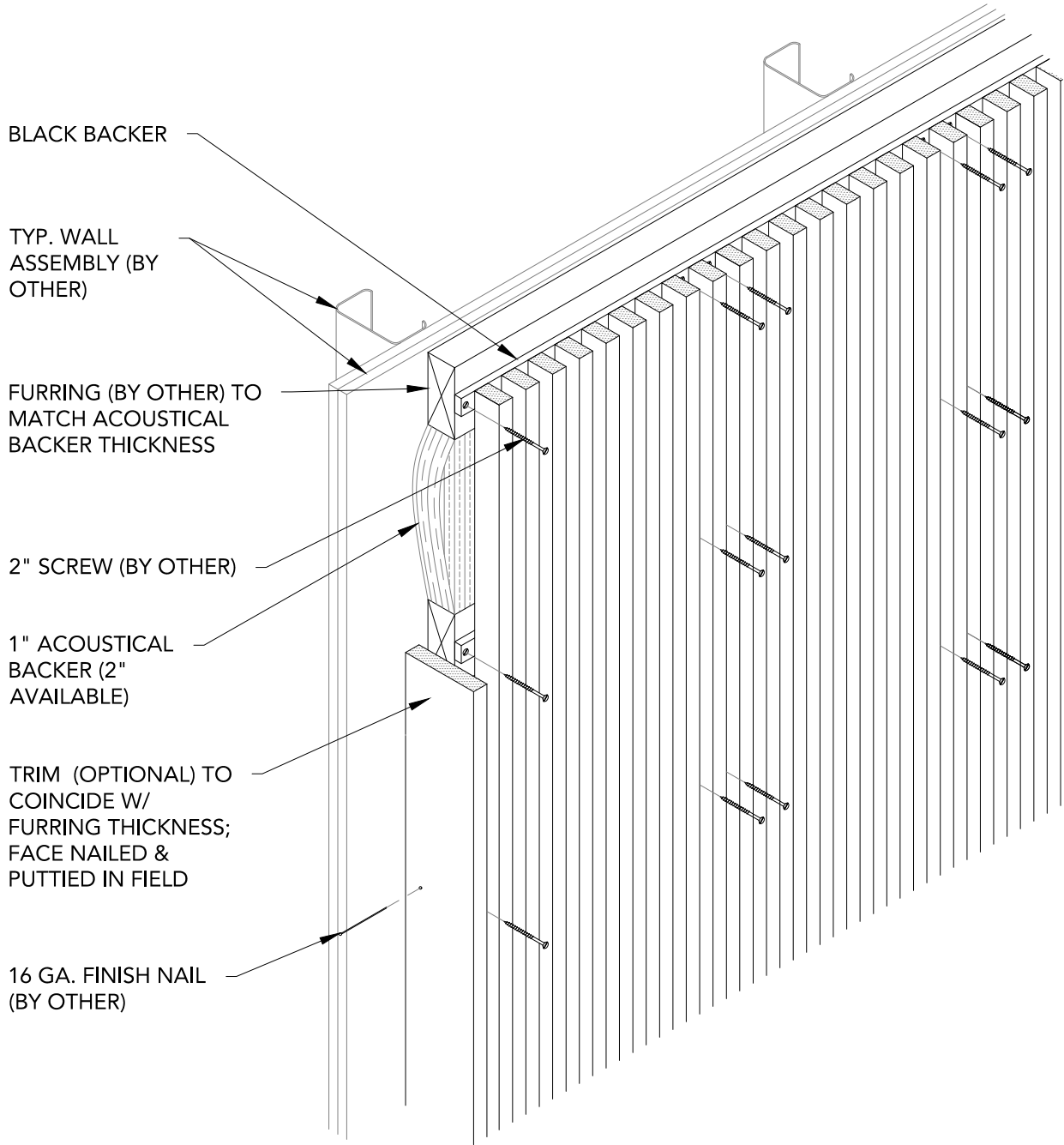




**1** HORIZONTAL WALL ELEVATION @ LIGHT SWITCH  
3" = 1'-0"



**2** HORIZONTAL WALL SECTION @ LIGHT SWITCH  
3" = 1'-0"



1 VERTICAL WALL ISOMETRIC - TYP.  
 1 1/2" = 1'-0"

TYP. WALL ASSEMBLY (BY OTHER)

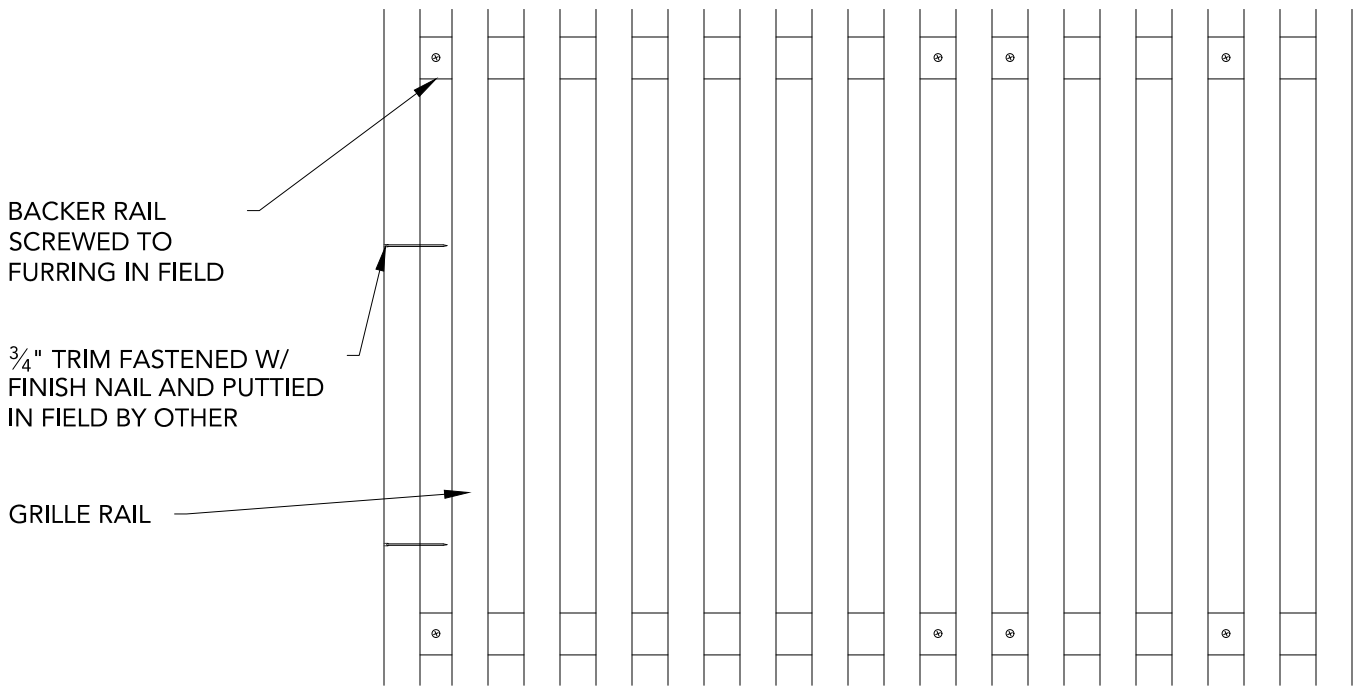
1" ACOUSTICAL BACKER IN BETWEEN FURRING (2" AVAILABLE)

3/4" TRIM FASTENED W/ FINISH NAIL AND PUTTIED IN FIELD BY OTHER

FURRING (BY OTHER) TO MATCH ACOUSTICAL BACKER THICKNESS: PAINTED BLACK IN FIELD



1 VERTICAL WALL PLAN @ TRIM  
3" = 1'-0"



BACKER RAIL SCREWED TO FURRING IN FIELD

3/4" TRIM FASTENED W/ FINISH NAIL AND PUTTIED IN FIELD BY OTHER

GRILLE RAIL

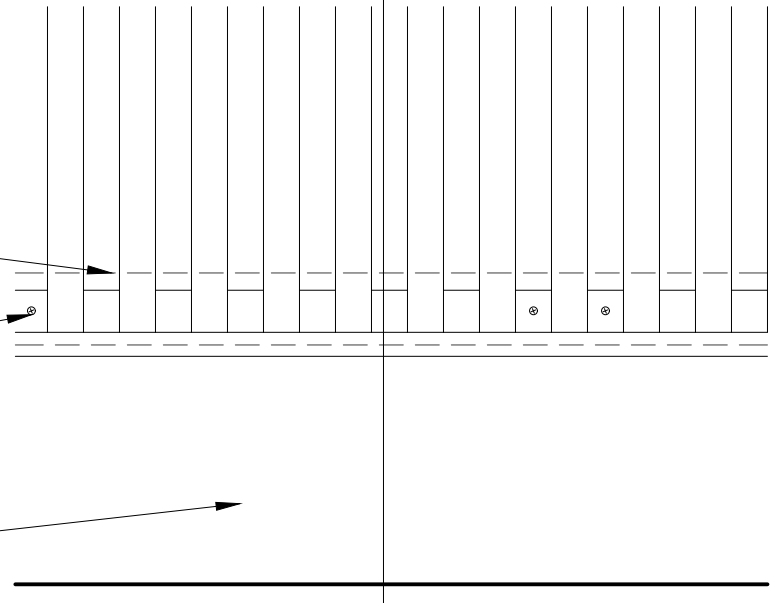
2 VERTICAL WALL ELEVATION @ TRIM  
3" = 1'-0"

2

FURRING (BY OTHER) TO MATCH ACOUSTICAL BACKER THICKNESS

BLACK BACKER SCREWED TO FURRING IN FIELD

BASE AS SCHEDULED (BY OTHER)



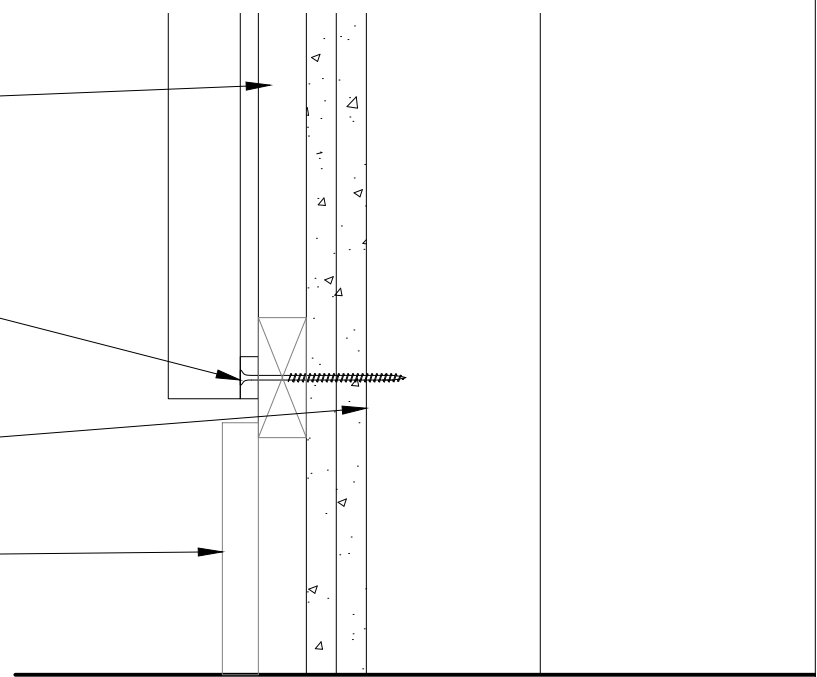
**1** VERTICAL WALL ELEVATION @ BASEBOARD  
3" = 1'-0"

1" ACOUSTICAL BACKER (2" AVAILABLE)

BLACK BACKER SCREWED TO FURRING IN FIELD

TYP. WALL SYSTEM (BY OTHER)

BASE AS SCHEDULED (BY OTHER)



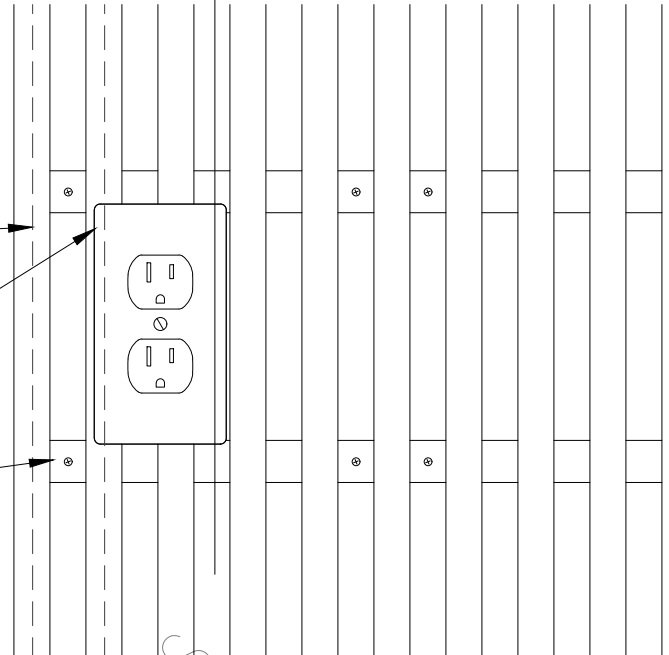
**2** VERTICAL WALL SECTION @ BASEBOARD  
3" = 1'-0"

FURRING (BY OTHER) TO MATCH ACOUSTICAL BACKER THICKNESS

OUTLET PENETRATION FIELD CUT

BLACK BACKER SCREWED TO FURRING IN FIELD

2



1 VERTICAL WALL ELEVATION @ OUTLET

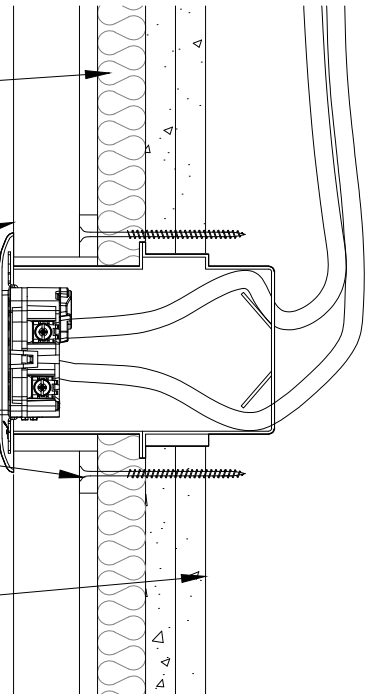
3" = 1'-0"

1" ACOUSTICAL BACKER (2" AVAILABLE)

OUTLET PENETRATION FIELD CUT

BLACK BACKER SCREWED TO FURRING IN FIELD

TYP. WALL SYSTEM (BY OTHER)



2 VERTICAL WALL SECTION @ OUTLET

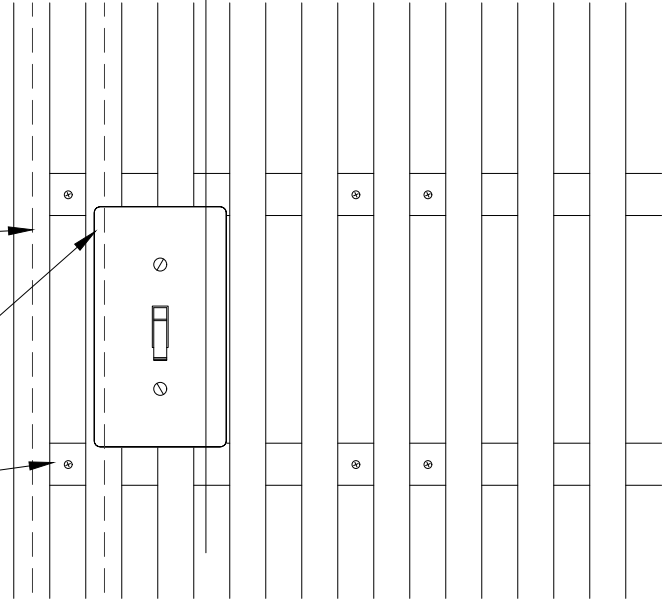
3" = 1'-0"

2

FURRING (BY OTHER) TO MATCH ACOUSTICAL BACKER THICKNESS

LIGHT SWITCH PENETRATION FIELD CUT

BLACK BACKER SCREWED TO FURRING IN FIELD



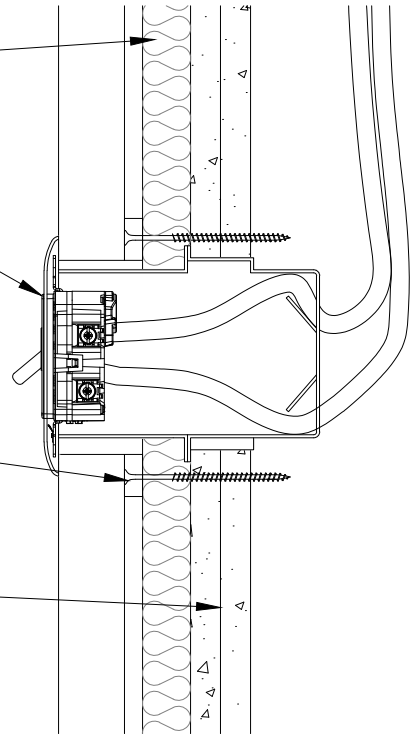
1 VERTICAL WALL ELEVATION @ LIGHT SWITCH  
3" = 1'-0"

1" ACOUSTICAL BACKER (2" AVAILABLE)

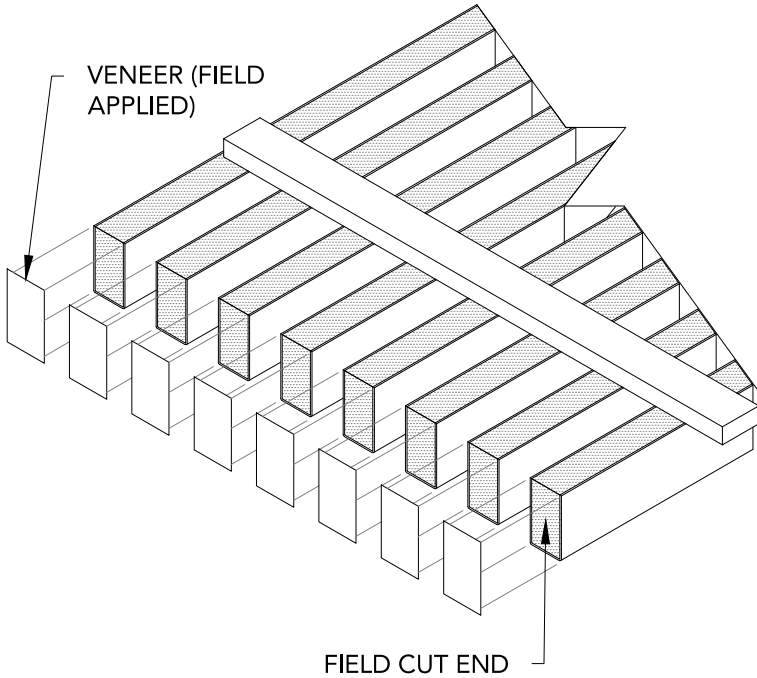
LIGHT SWITCH PENETRATION FIELD CUT

BLACK BACKER SCREWED TO FURRING IN FIELD

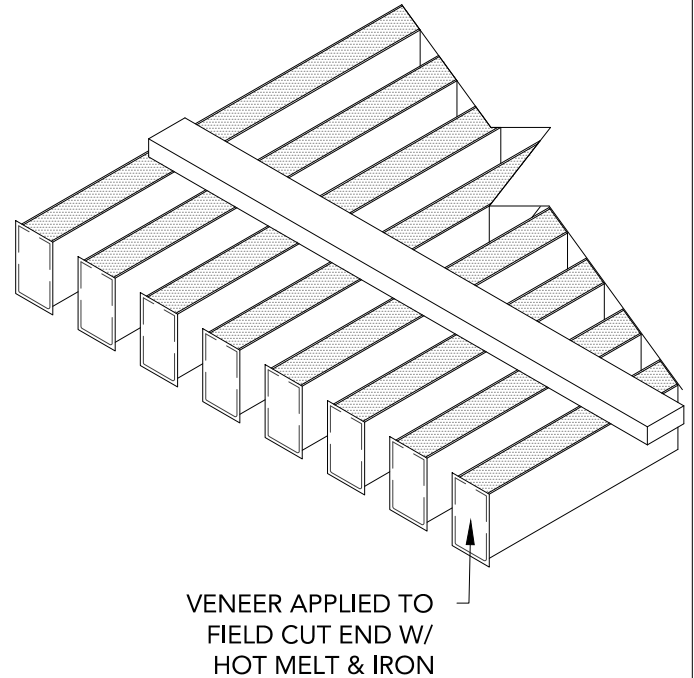
TYP. WALL SYSTEM (BY OTHER)



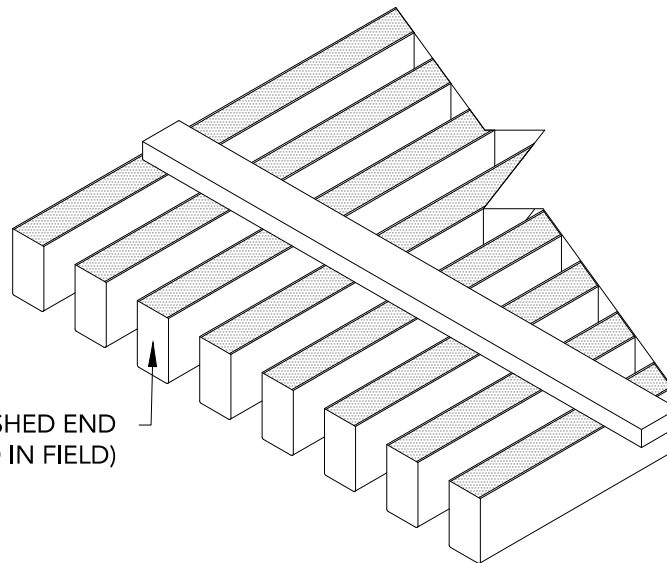
2 VERTICAL WALL SECTION @ LIGHT SWITCH  
3" = 1'-0"



**1** STEP 1  
3" = 1'-0"



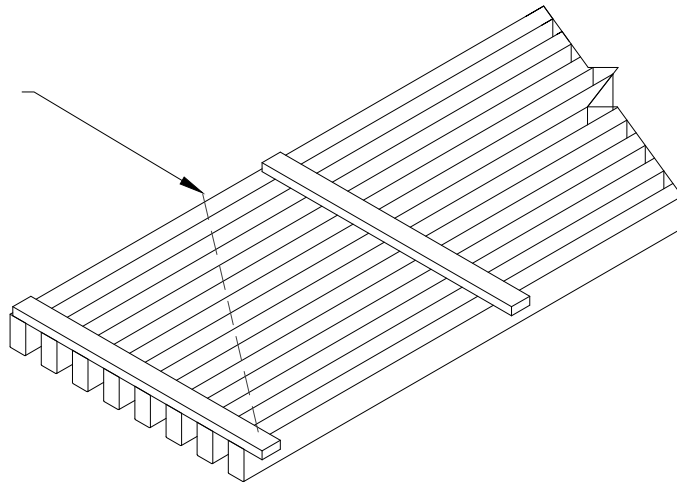
**2** STEP 2  
3" = 1'-0"



**3** STEP 3  
3" = 1'-0"

FOR FIELD FINISHING A SOLID RAIL - APPLY WOOD FINISH TO FIELD CUT END

DESIRED FIELD CUT ANGLE

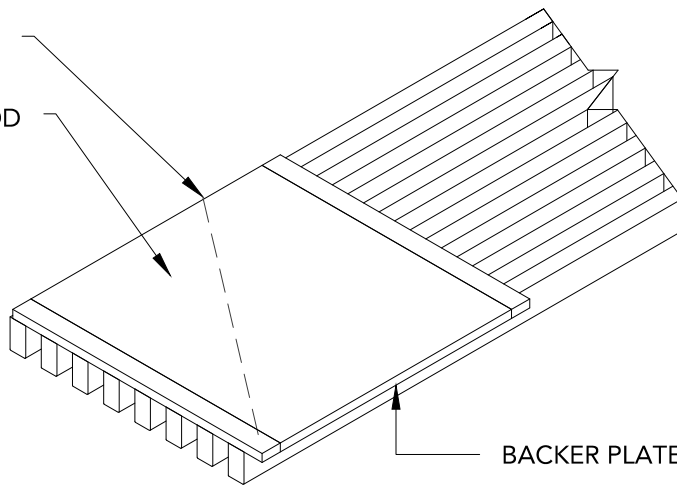


**1** ANGLE-CUTTING STEP 1

1 1/2" = 1'-0"

DESIRED FIELD CUT ANGLE

STAPLE 3/8" THICK PLYWOOD  
BACKER PLATE (BY OTHER)  
TO GRILLE RAILS. BACKER  
PLATE IS TO BE PAINTED  
BLACK ON FACE.

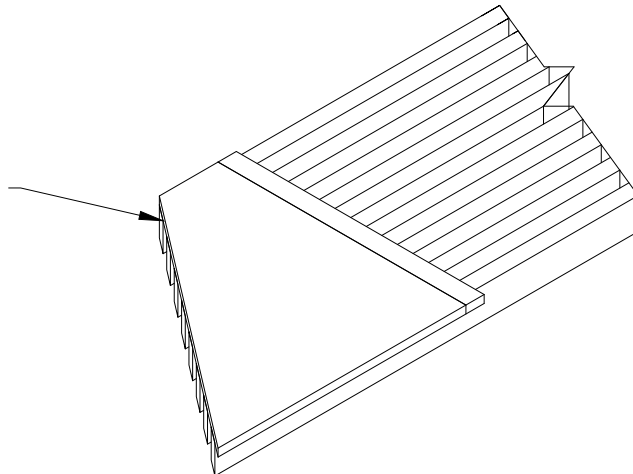


BACKER PLATE FACE

**2** ANGLE-CUTTING STEP 2

1 1/2" = 1'-0"

ONCE BACKER PLATE IS  
FASTENED TO GRILLE PANEL,  
CUT DESIRED LINE AND  
FINISH ENDS AS SHOWN IN  
THE FIELD FINISHED END  
INSTRUCTIONS IN THIS  
STANDARD DETAIL SET



**3** ANGLE-CUTTING STEP 3

1 1/2" = 1'-0"