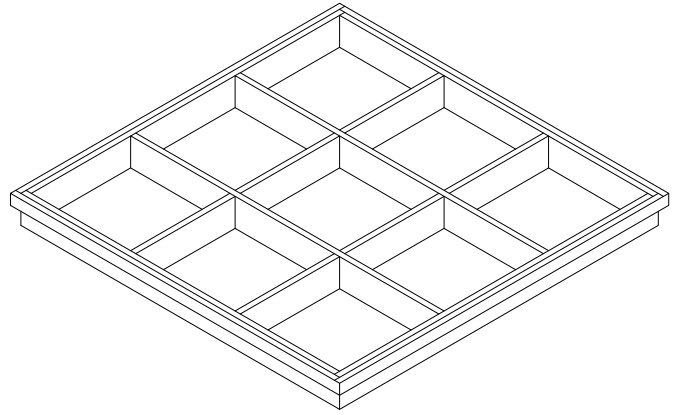
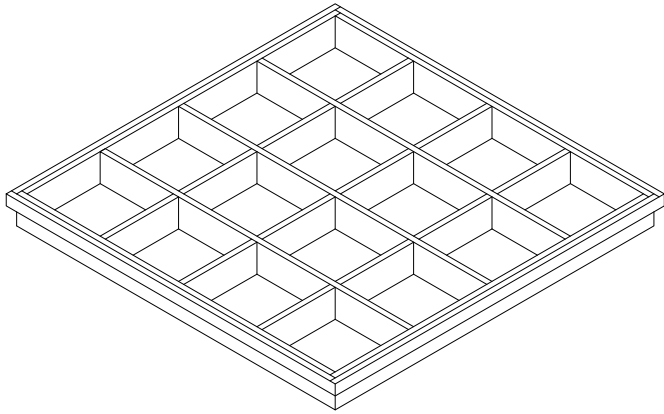


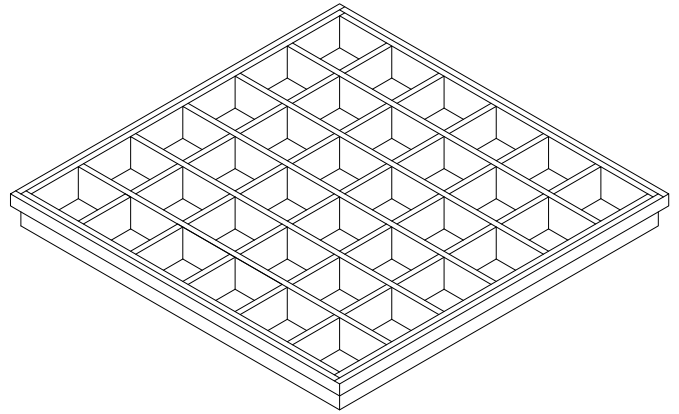
12" MODULE



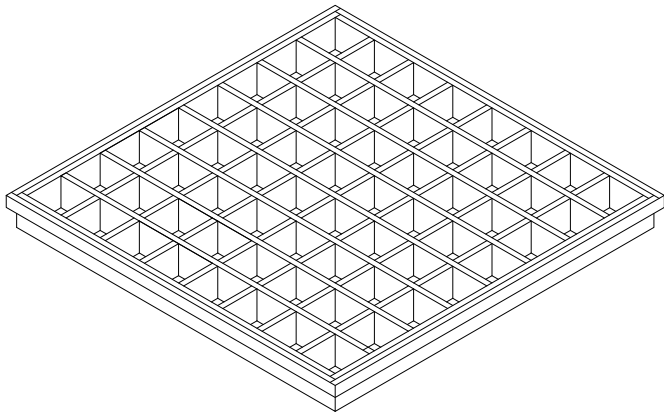
8" MODULE



6" MODULE



4" MODULE

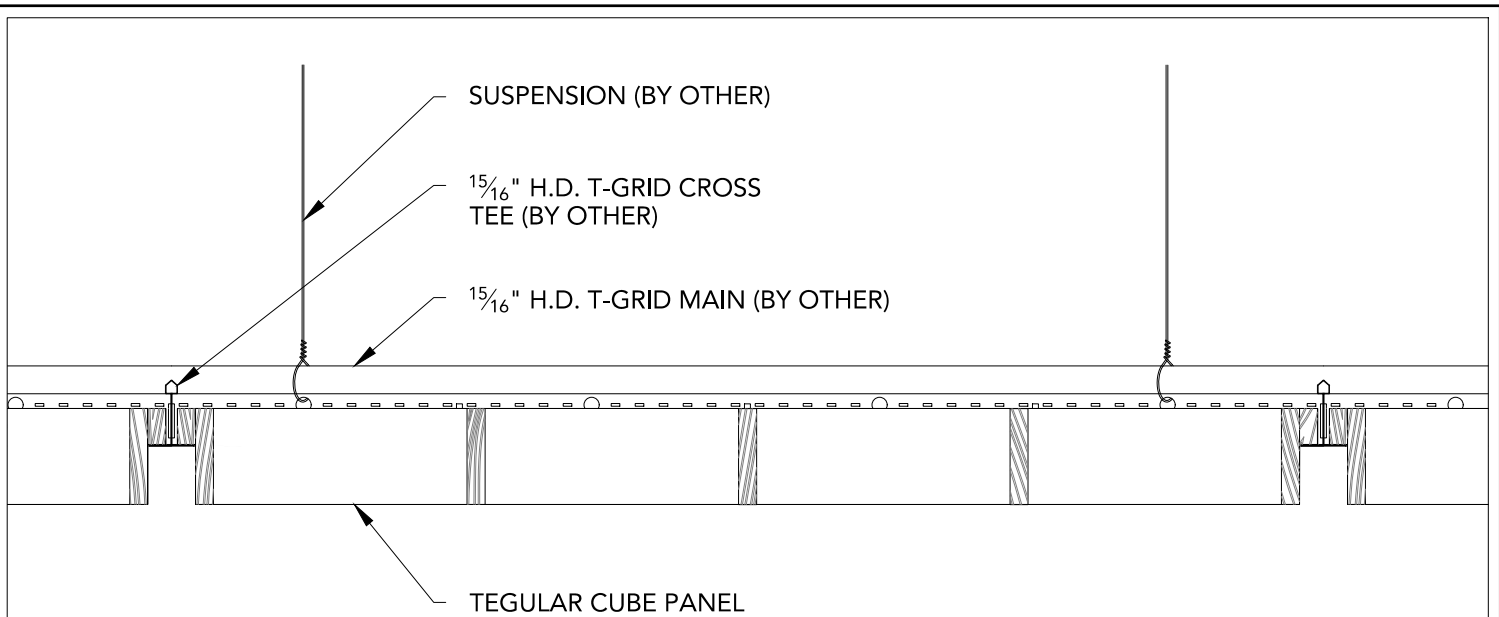


3" MODULE

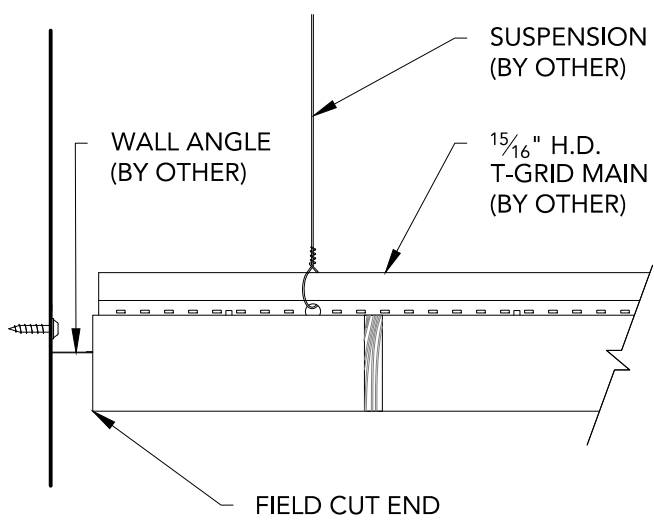
ALL PANELS ARE DESIGNED FOR A 2X2 GRID USING $1\frac{5}{16}$ " HEAVY DUTY T-GRID (BY OTHER)

ALL PANELS ARE 2" IN DEPTH AND MAY BE CONSTRUCTED USING $\frac{3}{8}$ " OR $\frac{3}{4}$ " MATERIAL

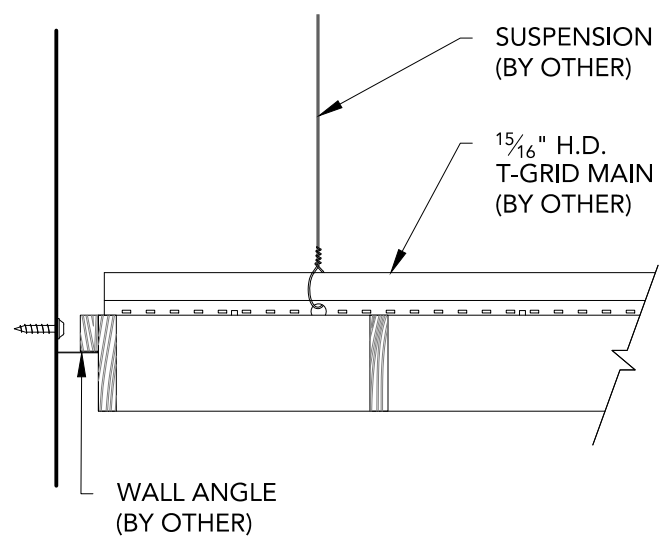
CUSTOM MODULES AVAILABLE



1 TYPICAL SECTION DETAIL
3" = 1'-0"



2 FLOATING @ WALL - FRONT SECTION
3" = 1'-0"



3 WALL ANGLE - FRONT SECTION
3" = 1'-0"

CUBE (TEGULAR) - TYPICAL SECTION & EDGE DETAILS

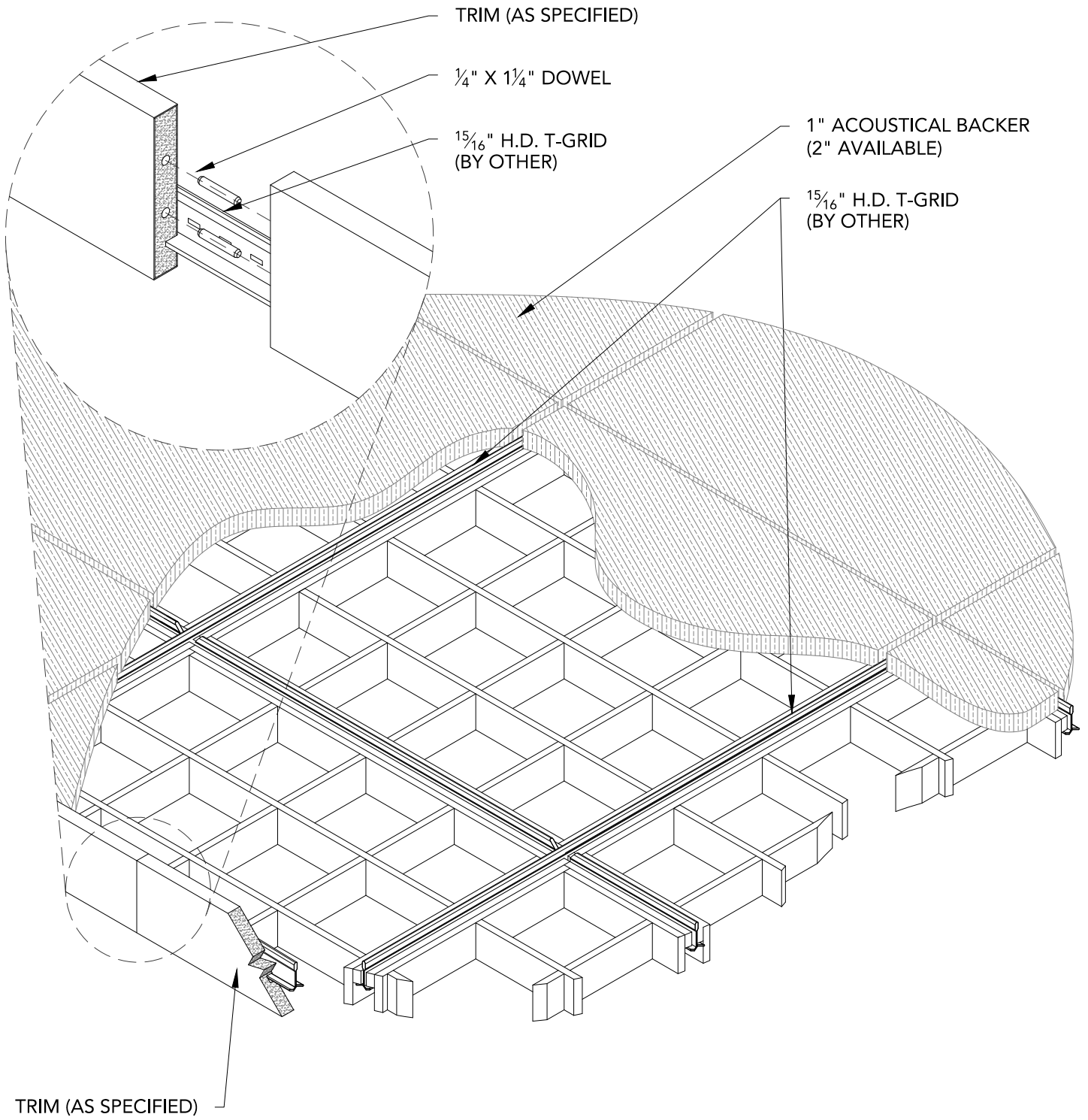
SHEET NUMBER
2

SCALE: AS NOTED

LAST REVISED: 4/26/2018

DRAWN BY: BMH

DO NOT SCALE DRAWING. FIGURED DIMENSIONS ARE TO BE FOLLOWED. READ THIS DRAWING IN CONNECTION WITH GENERAL ARCHITECTURAL PLANS, STRUCTURAL PLANS, AND OTHER RELATED DRAWINGS. THESE DRAWINGS REPRESENT ASI'S UNDERSTANDING AND INTERPRETATION OF THE ARCHITECTURAL DRAWINGS AND HOW ASI PRODUCTS RELATE TO THE PROJECT. COPYRIGHT ASI © 2018



1 CEILING ISOMETRIC - TYP.
 1 1/2" = 1'-0"

CUBE (TEGULAR) - ISOMETRIC

SHEET NUMBER

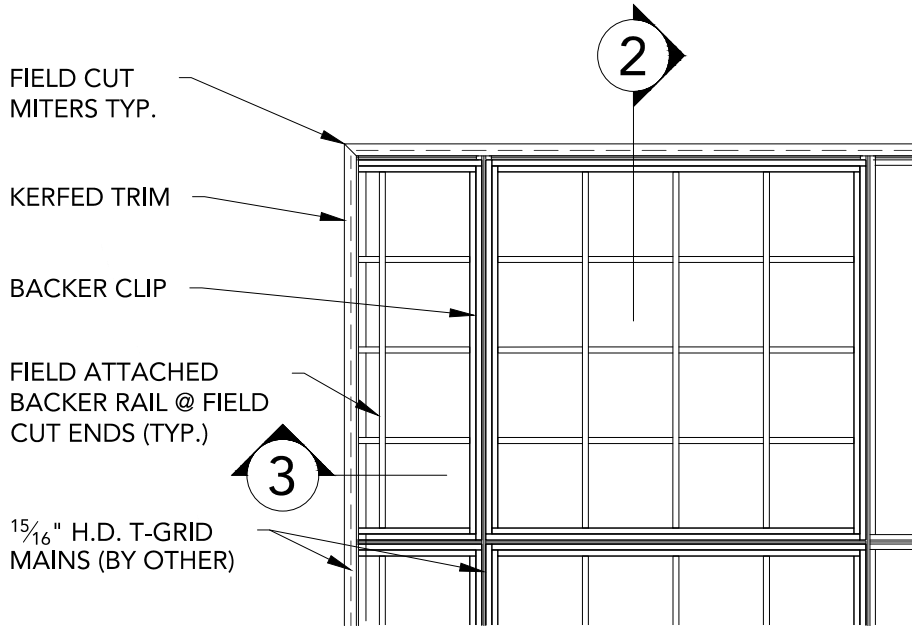
3

SCALE: AS NOTED

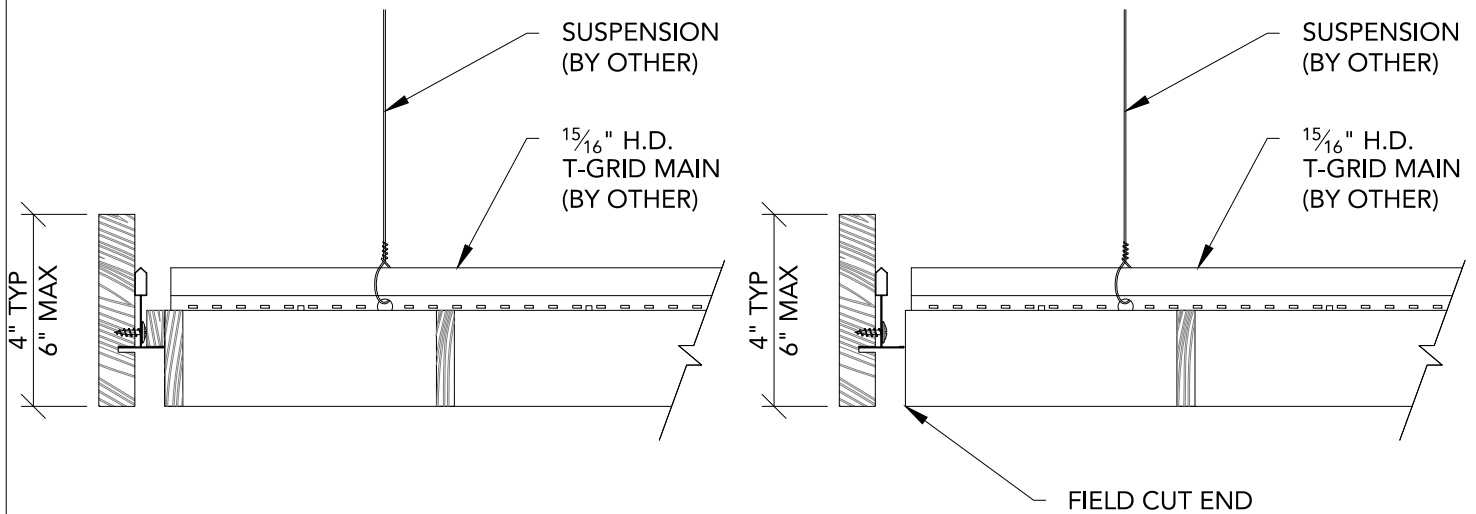
LAST REVISED: 4/26/2018

DRAWN BY: BMH

DO NOT SCALE DRAWING. FIGURED DIMENSIONS ARE TO BE FOLLOWED. READ THIS DRAWING IN CONNECTION WITH GENERAL ARCHITECTURAL PLANS, STRUCTURAL PLANS, AND OTHER RELATED DRAWINGS. THESE DRAWINGS REPRESENT ASI'S UNDERSTANDING AND INTERPRETATION OF THE ARCHITECTURAL DRAWINGS AND HOW ASI PRODUCTS RELATE TO THE PROJECT. COPYRIGHT ASI © 2018



1 CLOUD VERTICAL TRIM PLAN
1" = 1'-0"

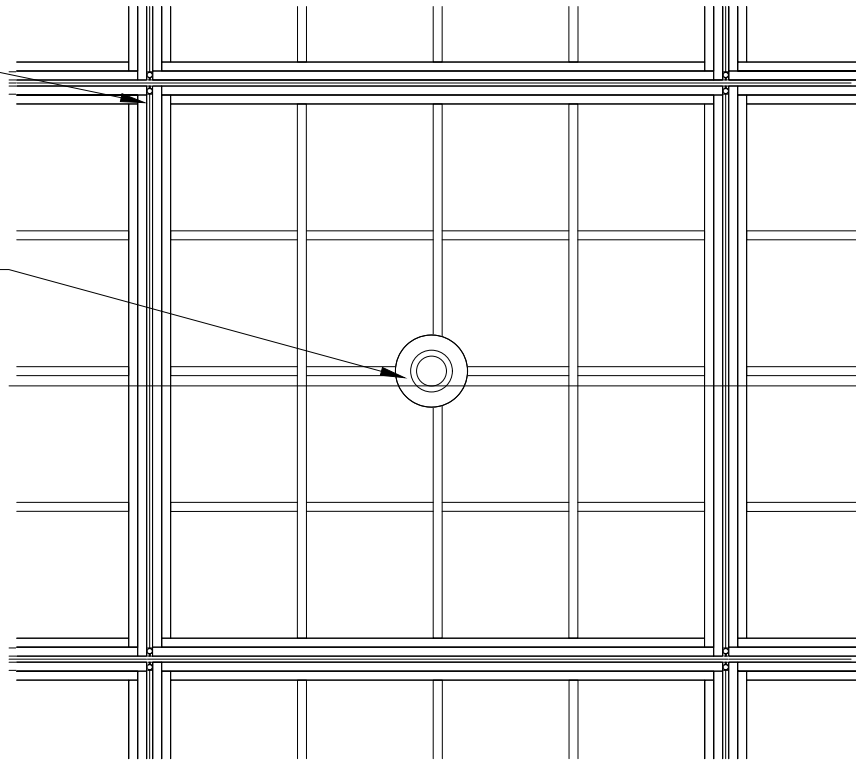


2 WALL ANGLE - SIDE SECTION
3" = 1'-0"

3 FLOATING @ WALL - SIDE SECTION
3" = 1'-0"

15/16" HEAVY DUTY
T-GRID (BY OTHER)

INDEPENDENTLY SUPPORTED
SPEAKER: FIELD CUT
PENETRATION

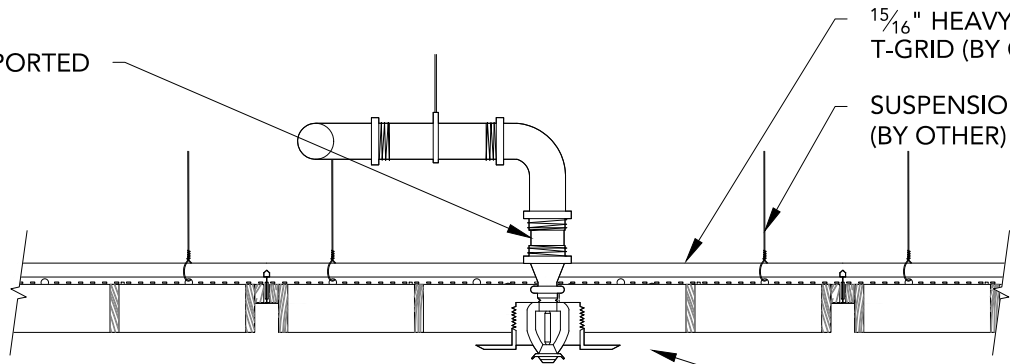


2

1 SPRINKLER HEAD DETAIL - PLAN VIEW

1 1/2" = 1'-0"

INDEPENDENTLY SUPPORTED
SPRINKLER: FIELD CUT
PENETRATION



15/16" HEAVY DUTY
T-GRID (BY OTHER)

SUSPENSION
(BY OTHER)

TRIM PLATE
(BY OTHER)

2 SPRINKLER HEAD DETAIL - SECTION VIEW

1 1/2" = 1'-0"

CUBE (TEGULAR) - SPRINKLER HEAD DETAILS

SHEET NUMBER

5

SCALE: AS NOTED

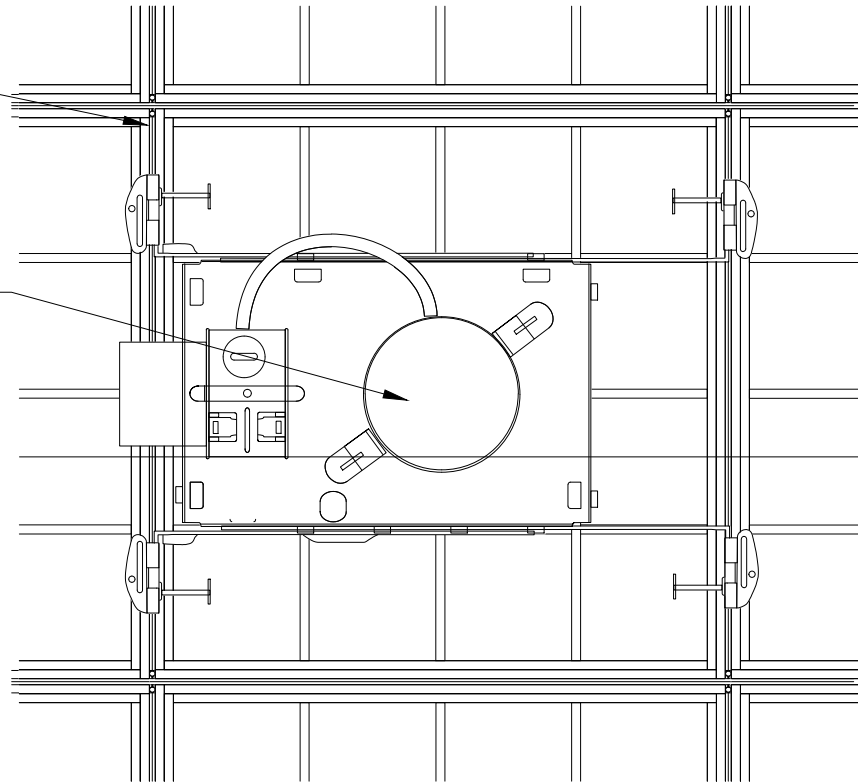
LAST REVISED: 4/26/2018

DRAWN BY: BMH

DO NOT SCALE DRAWING. FIGURED DIMENSIONS ARE TO BE FOLLOWED. READ THIS DRAWING IN CONNECTION WITH GENERAL ARCHITECTURAL PLANS, STRUCTURAL PLANS, AND OTHER RELATED DRAWINGS. THESE DRAWINGS REPRESENT ASI'S UNDERSTANDING AND INTERPRETATION OF THE ARCHITECTURAL DRAWINGS AND HOW ASI PRODUCTS RELATE TO THE PROJECT. COPYRIGHT ASI © 2018

15/16" HEAVY DUTY T-GRID (BY OTHER)

INDEPENDENTLY SUPPORTED CAN LIGHT: FIELD CUT PENETRATION

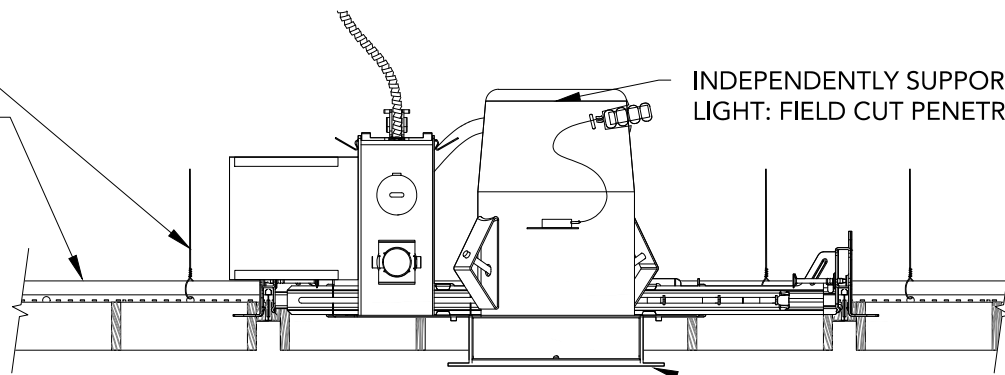


1 CAN LIGHT DETAIL - PLAN VIEW
1 1/2" = 1'-0"

SUSPENSION (BY OTHER)

15/16" HEAVY DUTY T-GRID (BY OTHER)

INDEPENDENTLY SUPPORTED CAN LIGHT: FIELD CUT PENETRATION

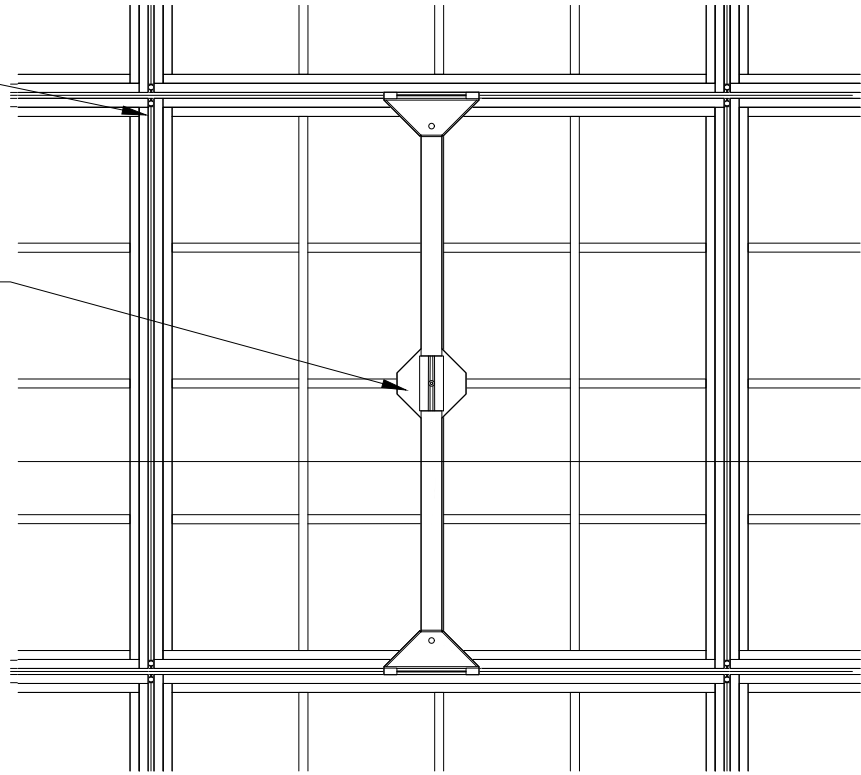


TRIM PLATE (BY OTHER)

2 CAN LIGHT DETAIL - SECTION VIEW
1 1/2" = 1'-0"

1 5/16" HEAVY DUTY
T-GRID (BY OTHER)

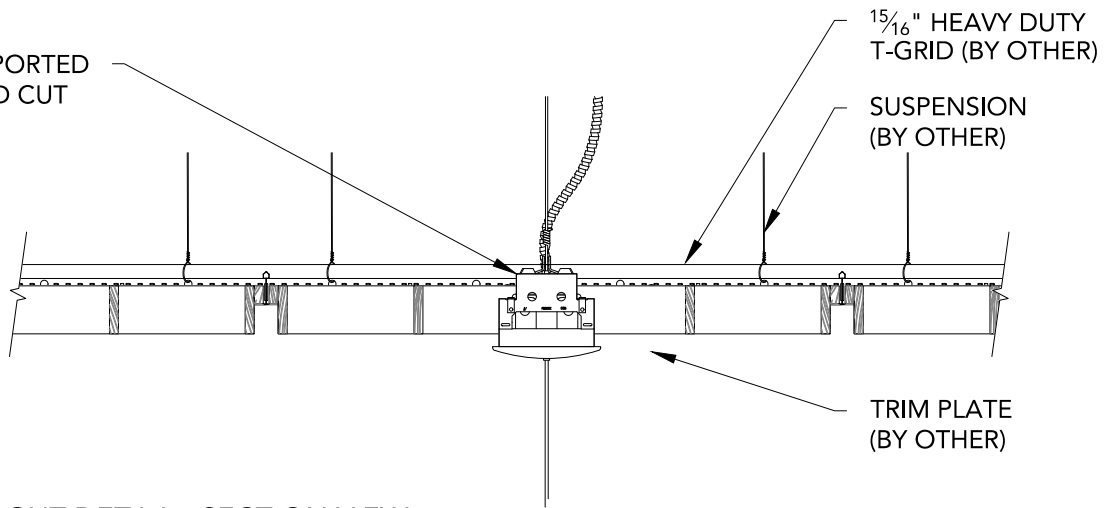
INDEPENDENTLY SUPPORTED
PENDANT LIGHT: FIELD CUT
PENETRATION



2

1 PENDANT LIGHT DETAIL - PLAN VIEW
1 1/2" = 1'-0"

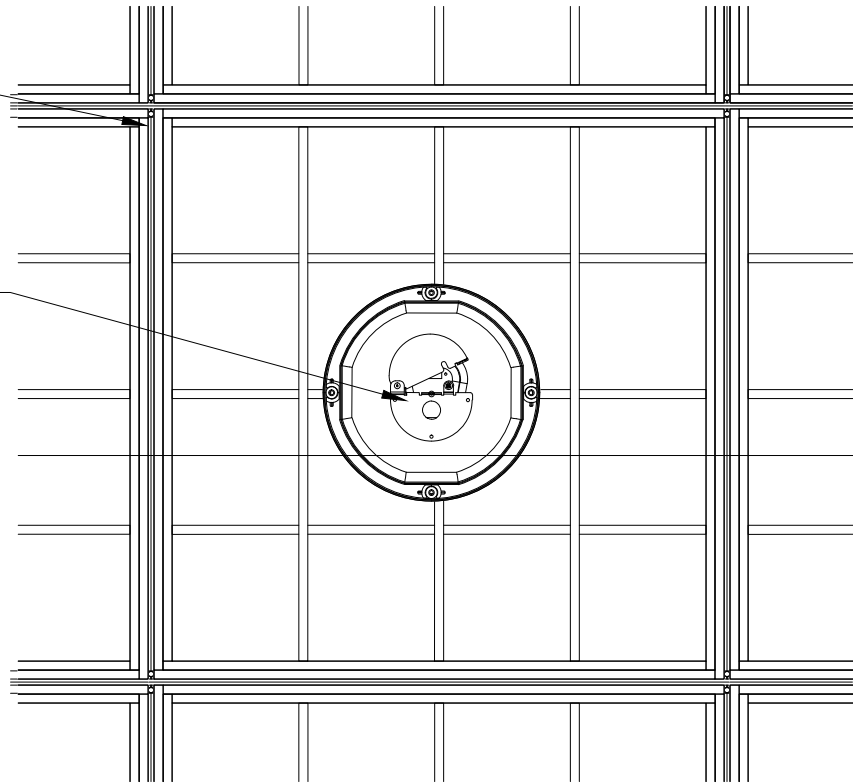
INDEPENDENTLY SUPPORTED
PENDANT LIGHT: FIELD CUT
PENETRATION



2 PENDANT LIGHT DETAIL - SECTION VIEW
1 1/2" = 1'-0"

15/16" HEAVY DUTY
T-GRID (BY OTHER)

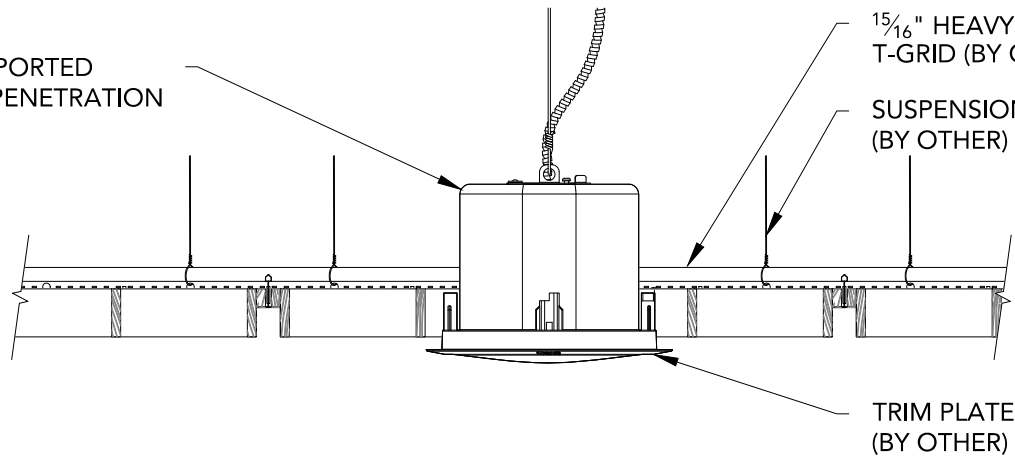
INDEPENDENTLY SUPPORTED
SPEAKER: FIELD CUT
PENETRATION



2

1 RECESSED SPEAKER DETAIL - PLAN VIEW
1 1/2" = 1'-0"

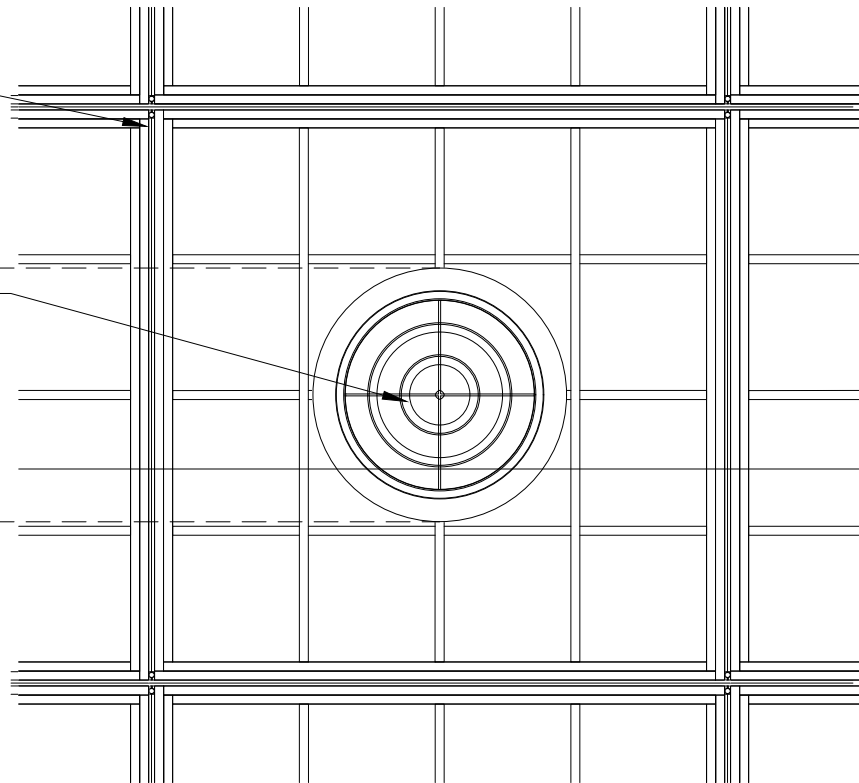
INDEPENDENTLY SUPPORTED
SPEAKER: FIELD CUT PENETRATION



2 RECESSED SPEAKER DETAIL - SECTION VIEW
1 1/2" = 1'-0"

15/16" HEAVY DUTY
T-GRID (BY OTHER)

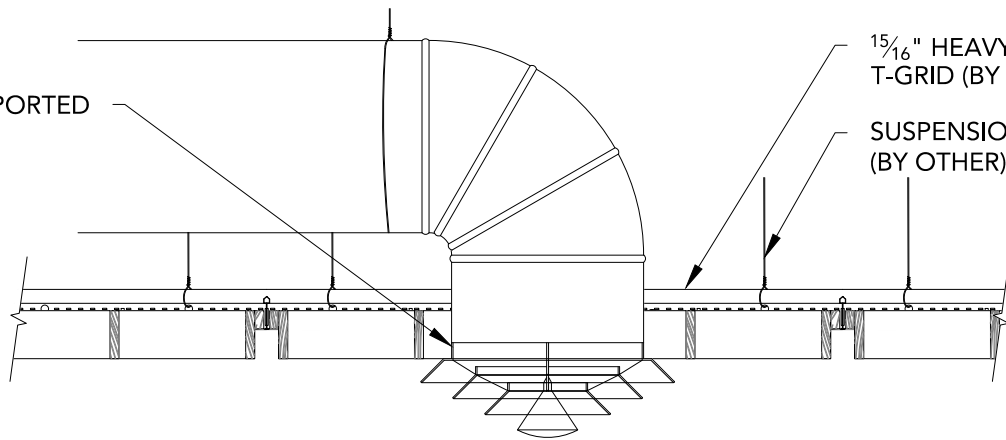
INDEPENDENTLY SUPPORTED
DIFFUSER: FIELD CUT
PENETRATION



1 DIFFUSER DETAIL - PLAN VIEW
1 1/2" = 1'-0"

INDEPENDENTLY SUPPORTED
DIFFUSER: FIELD CUT
PENETRATION

15/16" HEAVY DUTY
T-GRID (BY OTHER)
SUSPENSION
(BY OTHER)



2 DIFFUSER DETAIL - SECTION VIEW
1 1/2" = 1'-0"